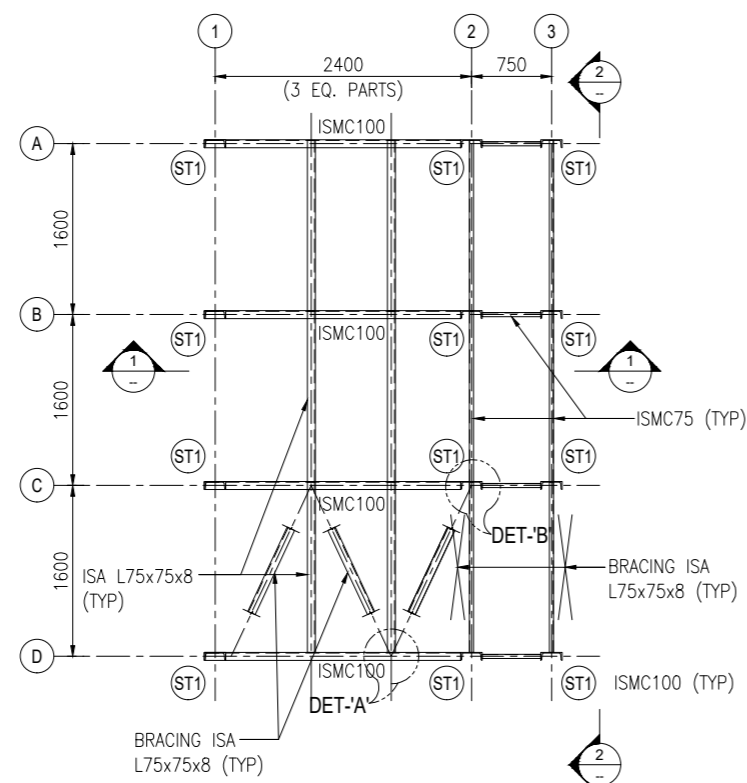
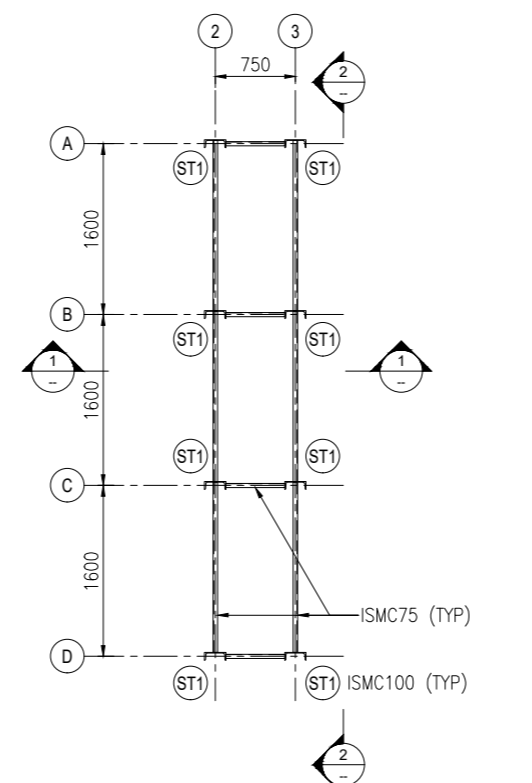


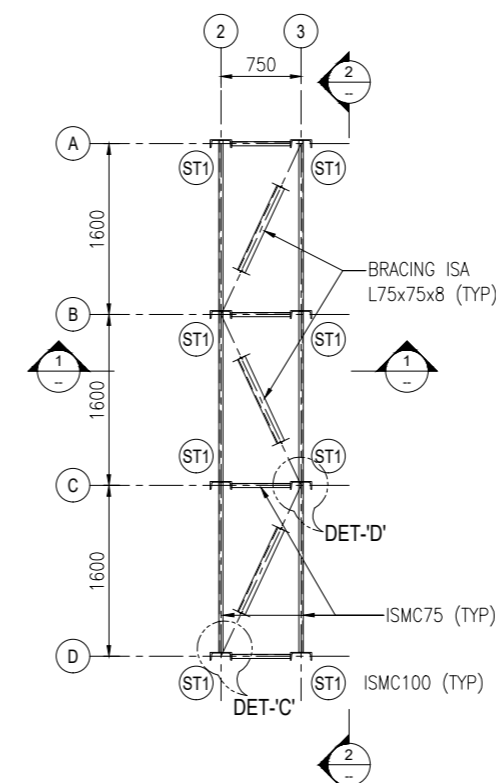
PLAN AT PEDESTAL & BASE PLATE LEVEL
(SCALE-1:50)



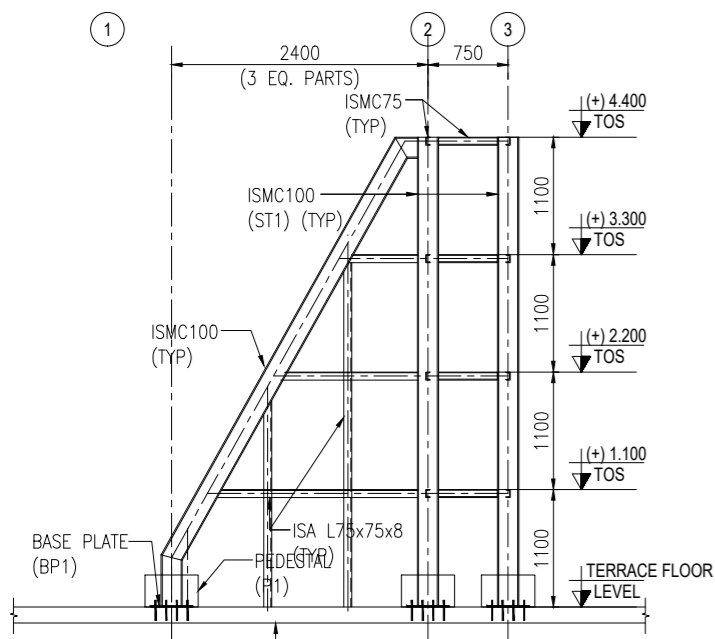
PLAN AT TERRACE FLOOR LEVEL
(SCALE-1:50)



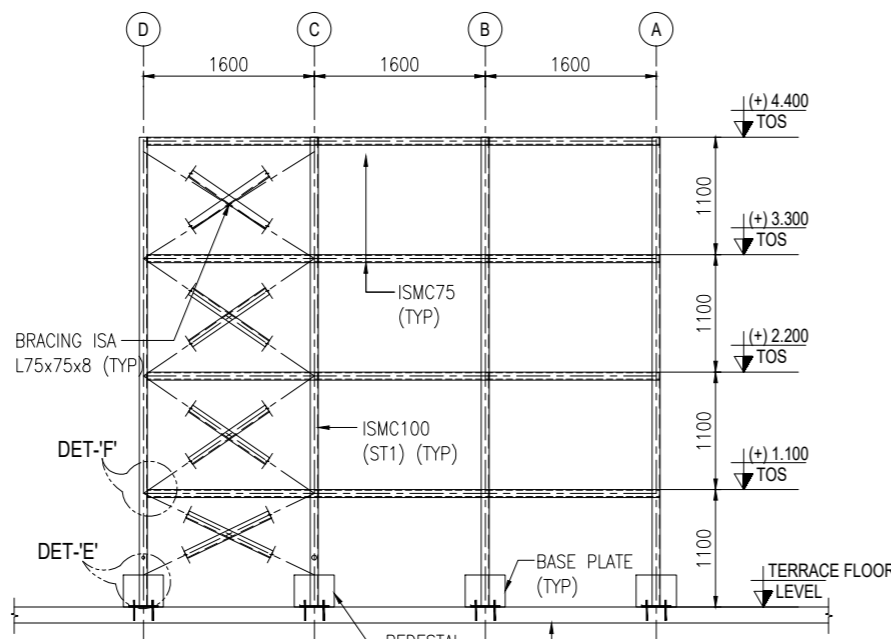
PLAN AT EL. (+) 1.100M., EL. (+) 2.200M., & EL. (+) 4.400M. LEVEL
(SCALE-1:50)



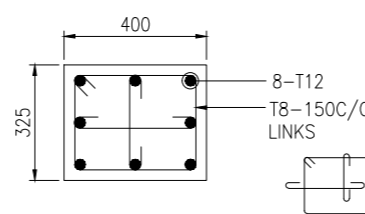
PLAN AT EL. (+) 3.400M. LEVEL
(SCALE-1:50)



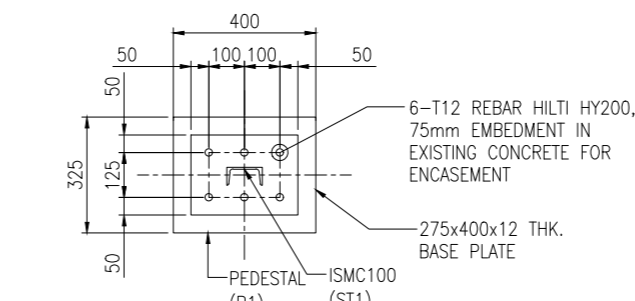
SECTION 1-1
(SCALE-1:50)



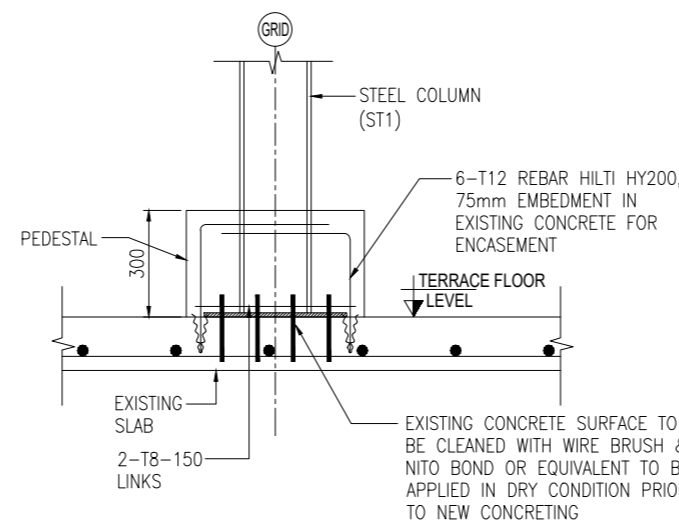
FRONT ELEVATION 2-2
(SCALE-1:50)



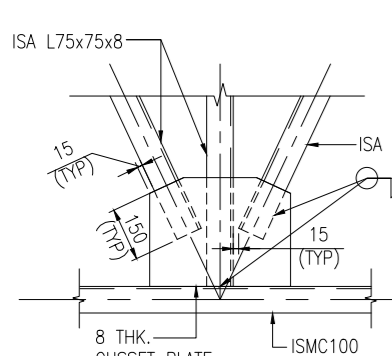
TYP DETAIL OF PEDESTAL - (P1)
(SCALE 1:15)



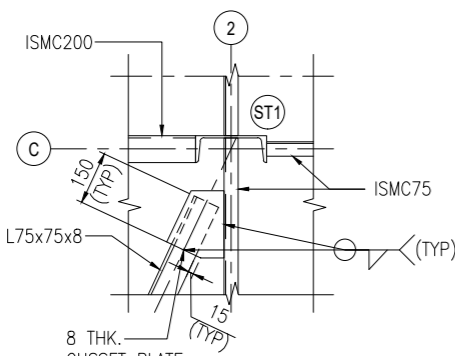
TYP DETAIL OF BASE PLATE - (BP1)
(SCALE 1:15)



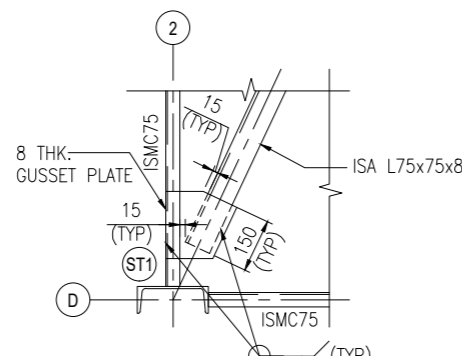
TYP DETAIL OF HIL-TI
(SCALE 1:15)



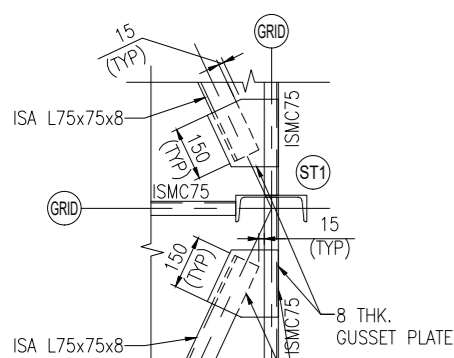
DETAIL - 'A'
(SCALE 1:15)



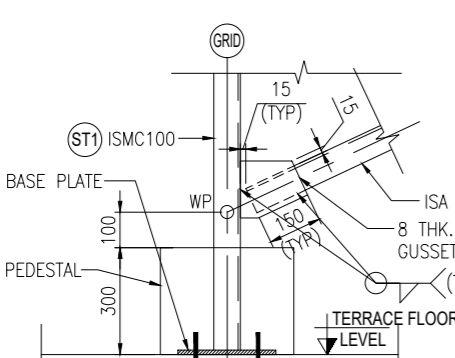
DETAIL - 'B'
(SCALE 1:15)



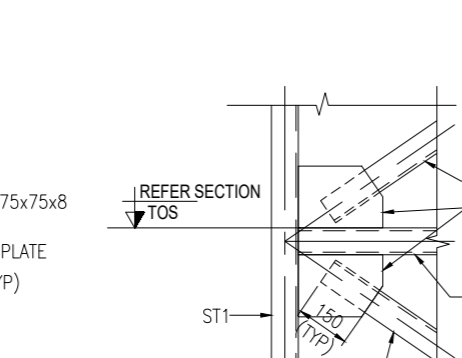
DETAIL - 'C'
(SCALE 1:15)



DETAIL - 'D'
(SCALE 1:15)



DETAIL - 'E'
(SCALE 1:15)



DETAIL - 'F'
(SCALE 1:15)

KEY PLAN

- LEGENDS**
 - P – PEDESTAL
 - SC – STEEL COLUMN
 - TOC – TOP OF CONCRETE
 - TOS – TOP OF STEEL
 - UNO – UNLESS NOTED OTHERWISE
 - FGL – FINISHED GROUND LEVEL
- NOTES**
 - ALL DIMENSIONS ARE IN MILLIMETERS & LEVELS ARE IN METER.
 - NO DIMENSIONS ARE TO BE SCALED OF THE DRAWING.
 - ANY DISCREPANCY IN THE DRAWINGS TO BE IMMEDIATELY CLARIFIED WITH THE CONSULTANTS OR HIS REPRESENTATIVE AT SITE.
 - GRADE OF STRUCTURAL STEEL TO BE E250 AS PER IS2062.
 - GRADE OF CONCRETE SHALL BE USE M25.
 - GRADE OF STEEL SHALL BE FE500.
 - ALL WELDS TO BE 6MM THICK UNLESS NOTED OTHERWISE.
 - ALL WORKING POINTS TO BE INTERSECTION OF CENTER OF GRAVITY LINES OF ALL STRUCTURAL MEMBERS AT THAT POINT.
 - ALL LEVELS NEED TO BE CROSS CHECKED AT SITE BY FABRICATOR.

REV	DESCRIPTION	DRN	CHKD	APPD	APPD	DATE
P1	ISSUED FOR APPROVAL	SS	KD	CK	DK	16.08.23

REVISIONS

CLIENT NAME :
CANARA BANK

CONSULTANTS:
AUCTORS
**STRUCT CARE CONSULTING ENGINEERS
PVT. LTD.**

LAYOUT AND DETAILS OF
SUPPORTING STRUCTURE FOR GLOWSIGN BOARD

PROJ.NO.	DRAWING NO.	SHEET	REV.
04.07.2023	SD01-AS-001_A	10F1	A