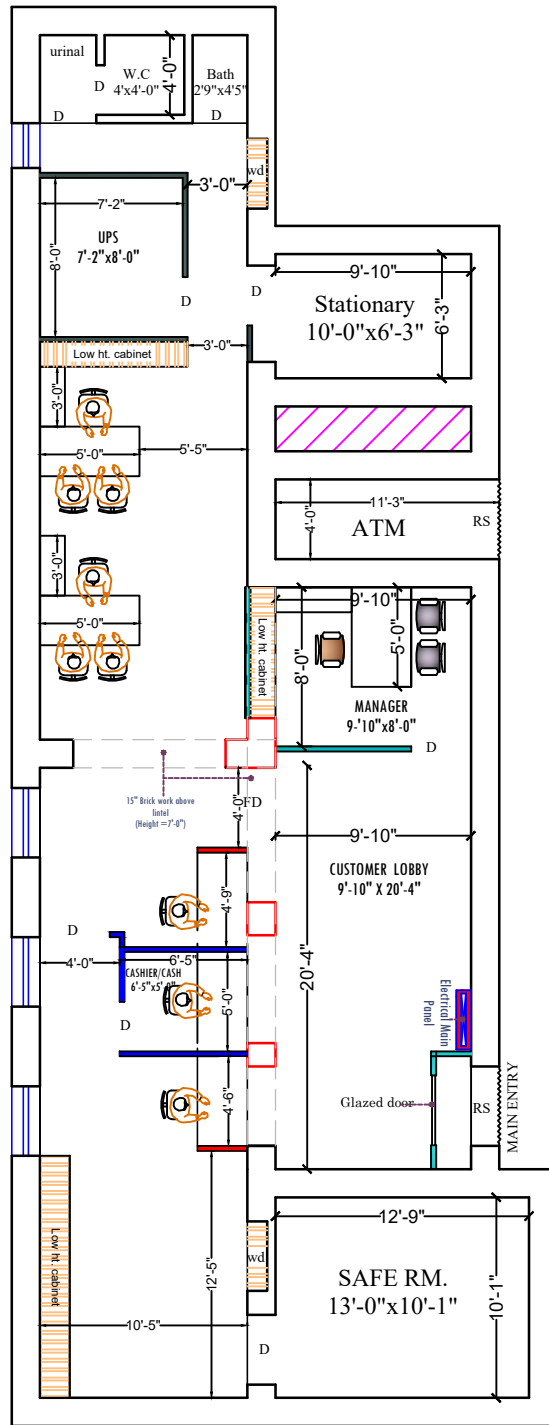
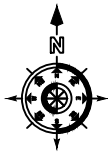


CANARA BANK
AT- DIBHIYA BRANCH

Roof Ht. = 11'-0"
Beam ht. = 9'-6"
Shutter ht. = 7'-0"
Lintel ht. = 7'-0"
Sill ht. = 2'-9"



GROUND FLOOR PLAN

NOTE	
	HALF HT. PARTITION
	GLAZED FULL HT. PARTITION
	SEMI GLAZED FULL HT. PARTITION
	SOLID FULL HT. PARTITION
	7' HT. PARTITION

PROJECT:-	REVISION:-
PROPOSED INTERIOR LAYOUT OF CANARA BANK AT- DIBHIYA BRANCH	No. Date :-

Sheet title :-		FURNITURE LAYOUT PLAN			
Scale :-	Date :-	Drawn by :-	Checked by :-		
N.T.S	29/05/2024	FARHEEN HAQUE	Ar. Anil Kumar		
Architects :-		ARTCON DESIGN CONSULTANTS ARCHITECTS ENGINEERS INTERIOR DESIGNERS COMPUTER AIDED DESIGN G-04 Laxmi Palace, Mitra Compound, Boring Road, Patna - 800001 +91 9931723771, amikumar73@gmail.com +91 9386717726 artcondesignconsultants.com			