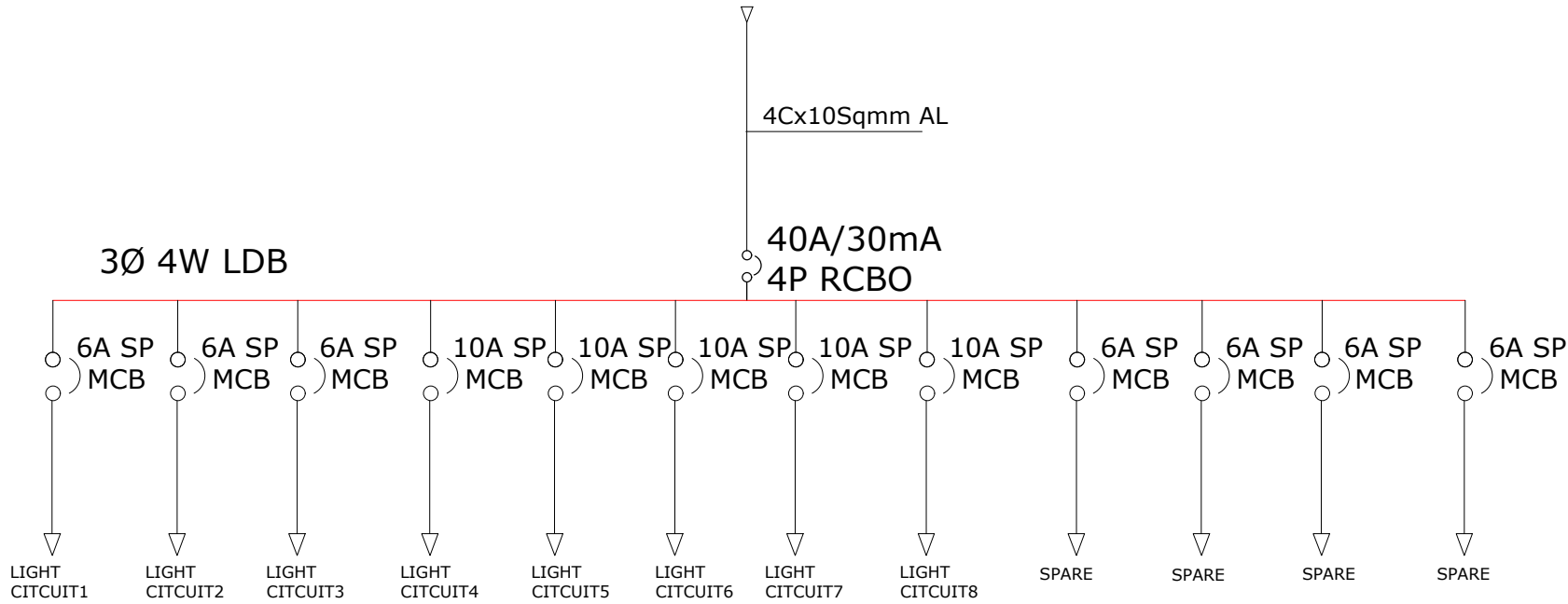


**PROPOSED INTERIOR FURNISHING FOR CANARA BANK OCHIRA**

**ELECTRICAL METER BOARD TO MAIN PANEL**

Drawn by	SHANAVAS	
Architect	Ar.PRAVEEN.P B. Arch.[Reg], A.I.I.A, A.I.I.I.D	
Chief Architect	Ar. K. RAMAKRISHNAN B.Sc.(Engg), F.I.E, C. Eng (I), F.I.V , F.I.I.A. (Regd), A.I.I.I.D	
Date	: 03-11-2023	Revision Date
Scale	: NTS	
Sheet No	: 01	
Note: All Dimensions are in CMs.		

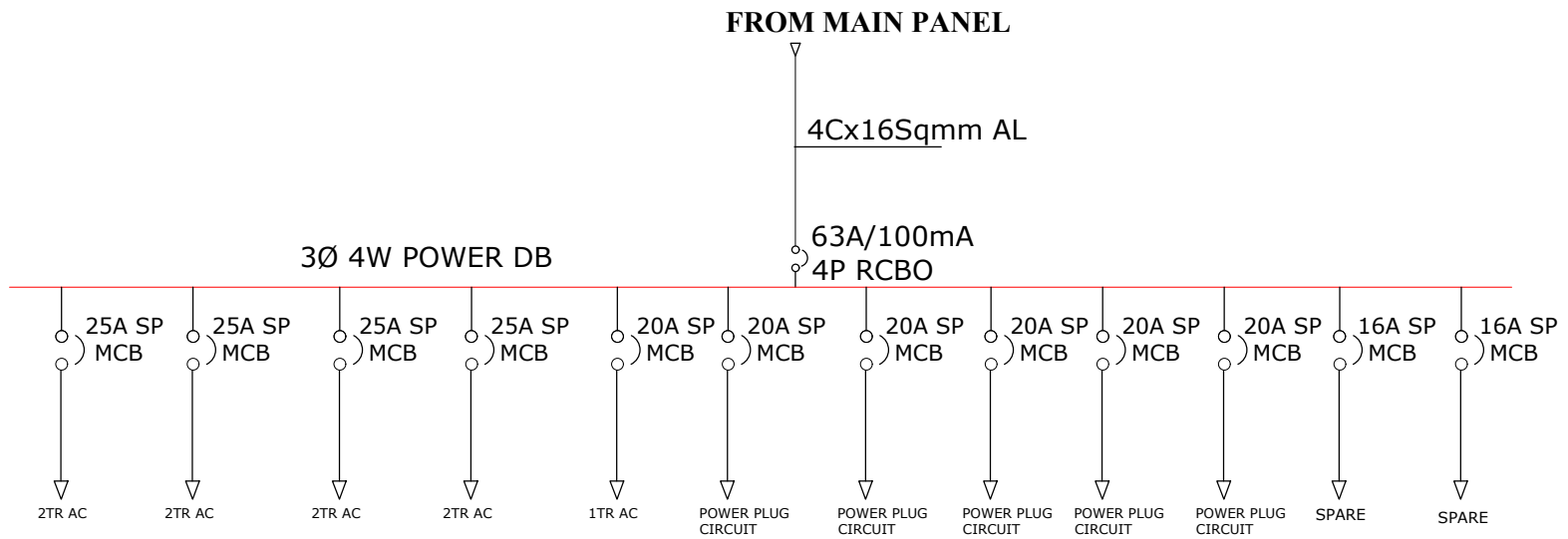
**FROM MAIN PANEL**



**PROPOSED INTERIOR FURNISHING  
FOR CANARA BANK OCHIRA**

**ELECTRICAL  
MAIN PANEL TO LIGHTING DB**

Drawn by	SHANAVAS
Architect	Ar.PRAVEEN.P B. Arch.[Reg], A.I.I.A, A.I.I.I.D
Chief Architect	Ar. K. RAMAKRISHNAN B.Sc.(Engg), F.I.E, C. Eng (I), F.I.V, F.I.I.A. (Regd), A.I.I.I.D
Date	: 03-11-2023
Scale	: NTS
Sheet No	: 02
Note: All Dimensions are in CMs.	

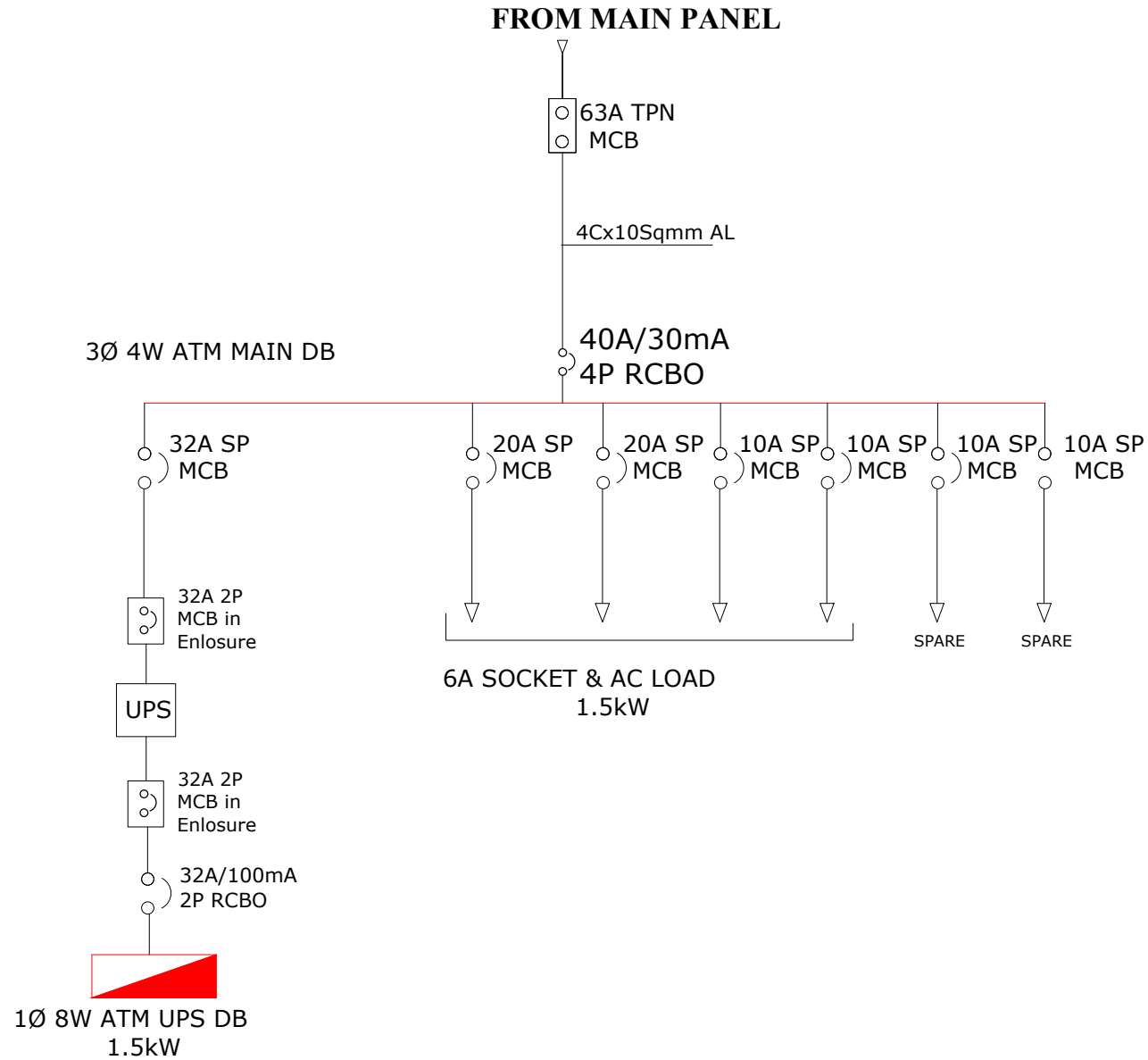


**PROPOSED INTERIOR FURNISHING  
FOR CANARA BANK OCHIRA**

**ELECTRICAL  
MAIN PANEL TO VDB**

Drawn by	SHANAVAS
Architect	Ar.PRAVEEN.P B. Arch.[Reg], A.I.I.A, A.I.I.I.D
Chief Architect	Ar. K. RAMAKRISHNAN B.Sc.(Engg), F.I.E, C. Eng (I), F.I.V, F.I.I.A. (Regd), A.I.I.I.D
Date	: 03-11-2023
Scale	: NTS
Sheet No	: 03
Note: All Dimensions are in CMs.	

Revision Date



PROPOSED INTERIOR FURNISHING  
FOR CANARA BANK OCHIRA

ELECTRICAL  
MAIN PANEL TO ATM MAIN PANEL

Drawn by	SHANAVAS	
Architect	Ar.PRAVEEN.P B. Arch.[Reg], A.I.I.A, A.I.I.I.D	
Chief Architect	Ar. K. RAMAKRISHNAN B.Sc.(Engg), F.I.E, C. Eng (I), F.I.V, F.I.I.A. (Regd), A.I.I.I.D	
Date	: 03-11-2023	Revision Date
Scale	: NTS	
Sheet No	: 04	
Note: All Dimensions are in CMs.		