

LEGEND

- FULL GLAZED PARTITIONS
- SEMI PARTITIONS (210 cm ht. Half glazed)
- SEMI PARTITIONS (120 cm ht. Half glazed)
- SOLID PARTITIONS
- FIRE RATED CEMENT PARTITION
- COMPOSITE PANEL + CEMENT PARTITION
- ▨ CUPBOARD 210 HEIGHT
- ▨ CUPBOARD 75 HEIGHT

AREA STATEMENT

BANKING AREA	50.26 SQ.M (541.00 SQ.FT)
CUSTOMER AREA	28.64 SQ.M (308.28 SQ.FT)
STRONG ROOM AREA	12.28 SQ.M (132.18 SQ.FT)
ATM AREA	5.08 SQ.M (54.68 SQ.FT)
DINING ROOM AREA	5.58 SQ.M (60.06 SQ.FT)
UPS ROOM AREA	4.38 SQ.M (47.15 SQ.FT)
TOTAL AREA	106.22 SQ.M (1,143.35 SQ.FT)
TOILET AREA	10.80 SQ.M (116.25 SQ.FT)
GRAND TOTAL	117.02 SQ.M (1259.60 SQ.FT)

EXHAUST FAN

GROUND FLOOR PLAN

ENARC CONSULTANTS
ARCHITECTS AND ENGINEERS
 M. G. Road, Thrissur - 1.
 Tel. : +91 (487) 2441901
 Fax : +91 (487) 2442011
 E-mail : office@enarc.net.in

PROPOSED INTERIOR FURNISHING
 FOR CANARA BANK,
 WEST FORT, THRISSUR

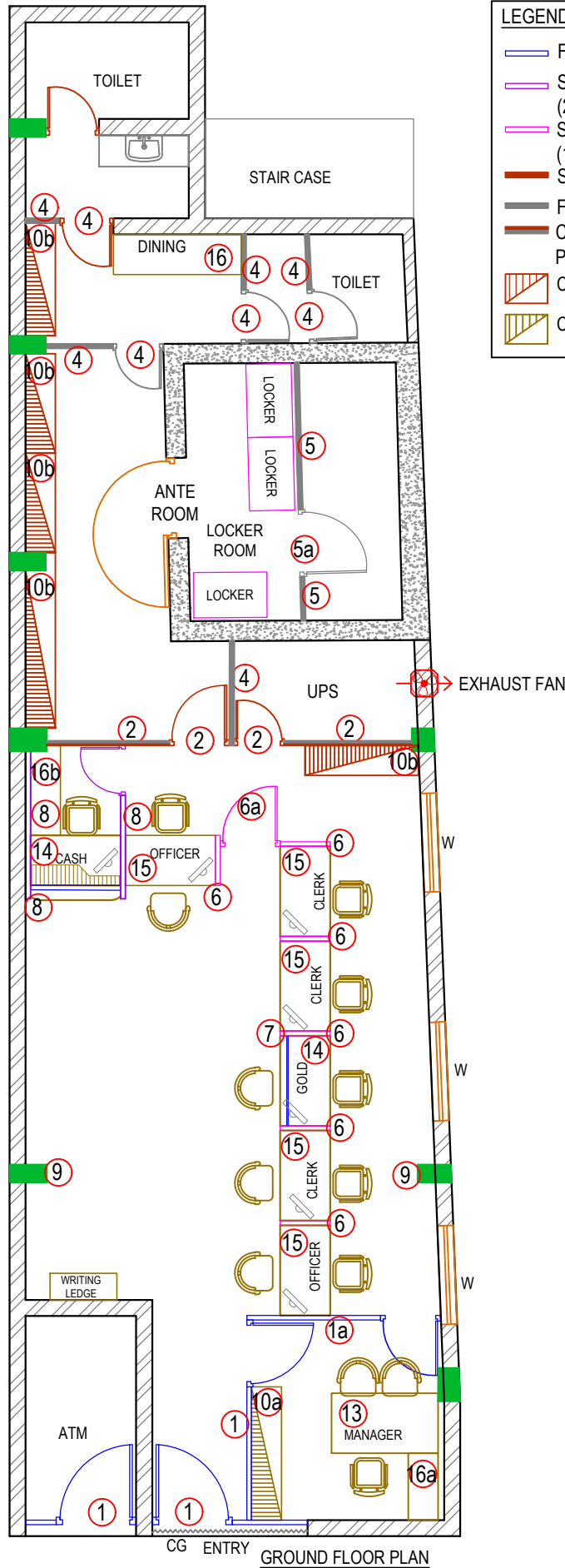
INTERIOR LAYOUT
 OPTION - 02

Drawn By GINISH K G
 Architect Ar.PRAVEEN.P
 B. Arch.[Reg], A.I.I.A, A.I.I.I.D

Chief Architect
 Ar. K. RAMAKRISHNAN
 B.Sc.(Engg), F.I.E, C. Eng (I),
 F.I.V , F.I.I.A. (Regd), A.I.I.I.D

Date : 01-07-2023
 Revision Date: 20-07-2023
 29-07-2023
 04-08-2023

Drawing No: 01
 Scale : N T S
 All Dimensions are in Cms.



LEGEND	
	FULL GLAZED PARTITIONS
	SEMI PARTITIONS (210 cm ht. Half glazed)
	SEMI PARTITIONS (120 cm ht. Half glazed)
	SOLID PARTITIONS
	FIRE RATED CEMENT PARTITION
	COMPOSITE PANEL + CEMENT PARTITION
	CUPBOARD 210 HEIGHT
	CUPBOARD 75 HEIGHT

GROUND FLOOR PLAN

ENARC CONSULTANTS
ARCHITECTS AND ENGINEERS
 M. G. Road, Thrissur - 1.
 Tel. : +91 (487) 2441901
 Fax : +91 (487) 2442011
 E-mail : office@enarc.net.in

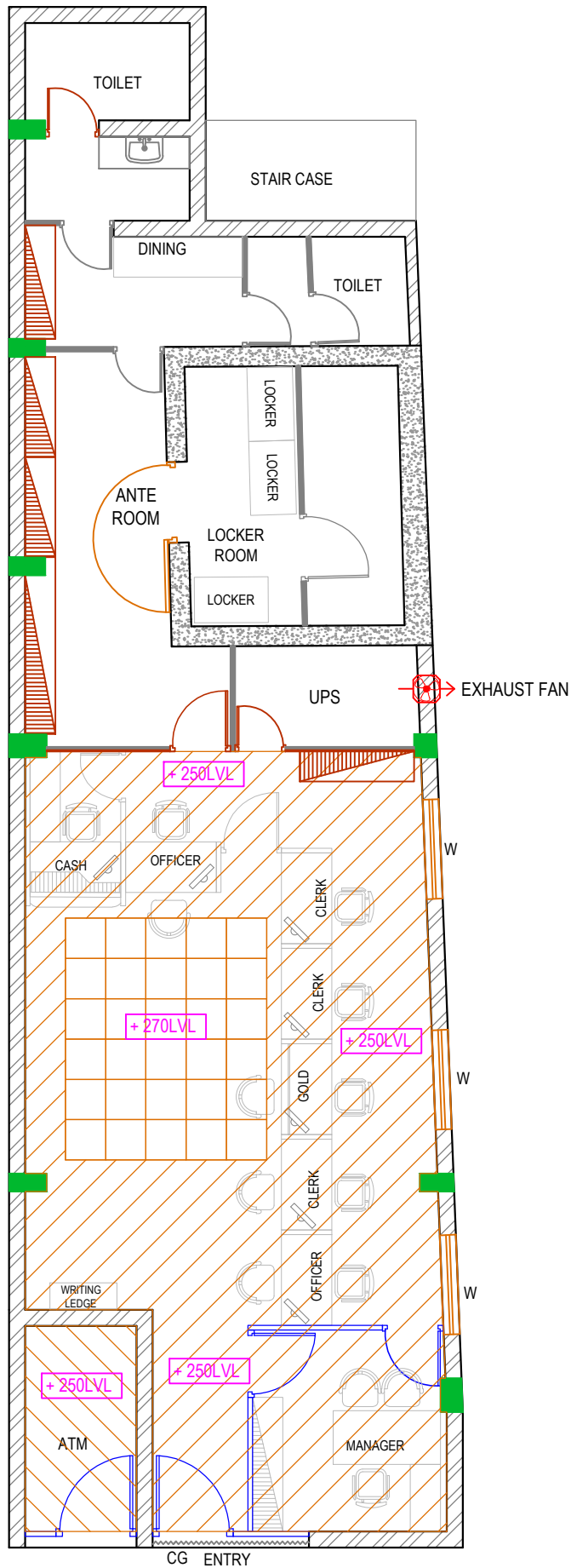
PROPOSED INTERIOR FURNISHING
 FOR CANARA BANK,
 WEST FORT, THRISSUR

INTERIOR LAYOUT WITH ITEM NO

Drawn By GINISH K G
 Architect
 Ar.PRAVEEN.P
 B. Arch.[Reg], A.I.I.A, A.I.I.I.D

Chief Architect
 Ar. K. RAMAKRISHNAN
 B.Sc.(Engg), F.I.E, C. Eng (I),
 F.I.V, F.I.I.A. (Regd), A.I.I.I.D

Date : 15-07-2023
 Revision Date:
 Drawing No: 02
 Scale : N T S
 All Dimensions are in Cms.



GROUND FLOOR PLAN

ENARC CONSULTANTS
ARCHITECTS AND ENGINEERS

M. G. Road, Thrissur - 1.
Tel. : +91 (487) 2441901
Fax : +91 (487) 2442011
E-mail : office@enarc.net.in

PROPOSED INTERIOR FURNISHING
FOR CANARA BANK,
WEST FORT, THRISSUR

CEILING LAYOUT

Drawn By GINISH K G

Architect

Ar. PRAVEEN.P
B. Arch. [Reg], A.I.I.A, A.I.I.I.D

Chief Architect

Ar. K. RAMAKRISHNAN
B.Sc.(Engg), F.I.E, C. Eng (I),
F.I.V, F.I.I.A. (Regd), A.I.I.I.D

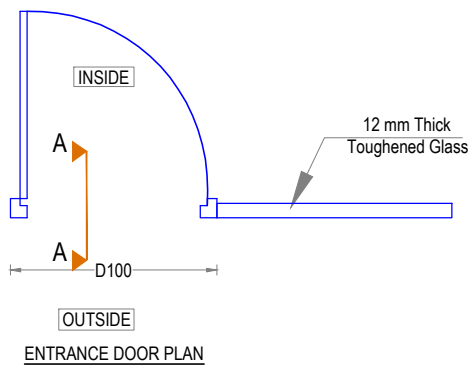
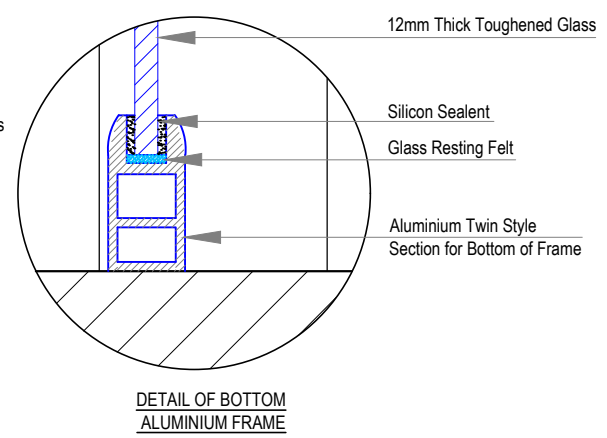
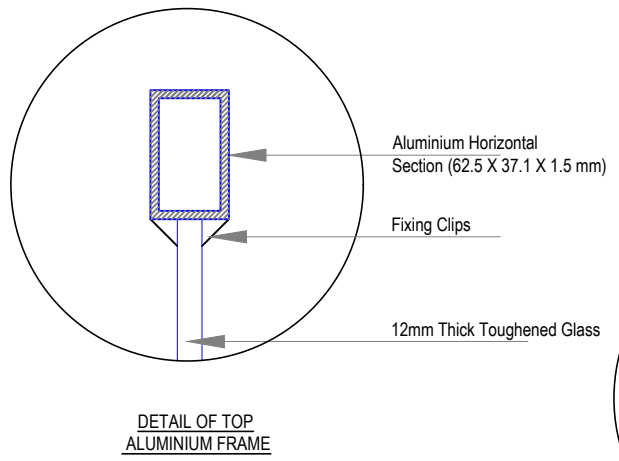
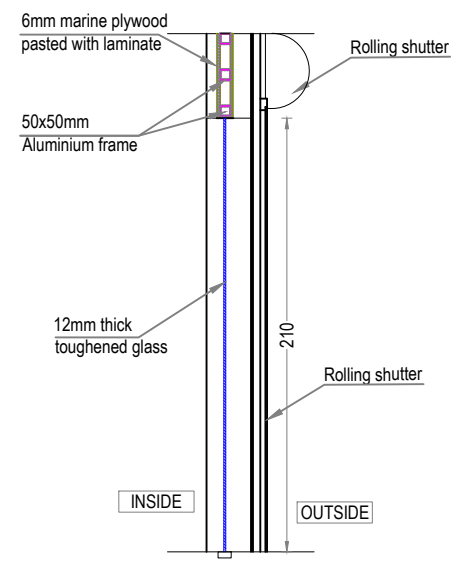
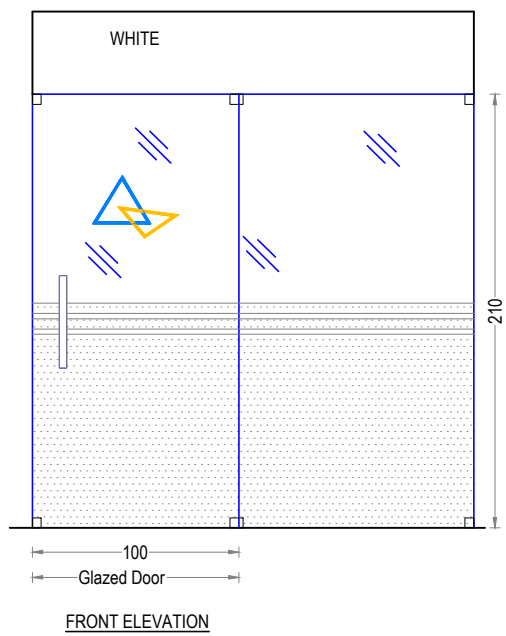
Date : 15-09-2023

Revision Date:

Drawing No: 03

Scale : N T S

All Dimensions are in CMs.



PROPOSED INTERIOR FURNISHING
FOR CANARA BANK,
WEST FORT, THRISSUR

DETAILS OF :	ITEM NO.
1. FRONT SIDE GLAZING PARTITION (DOUBLE SHUTTER)	1

Drawn By: GINISH K G

Architect: Ar.PRAVEEN.P
B. Arch.[Reg], A.I.I.A, A.I.I.I.D

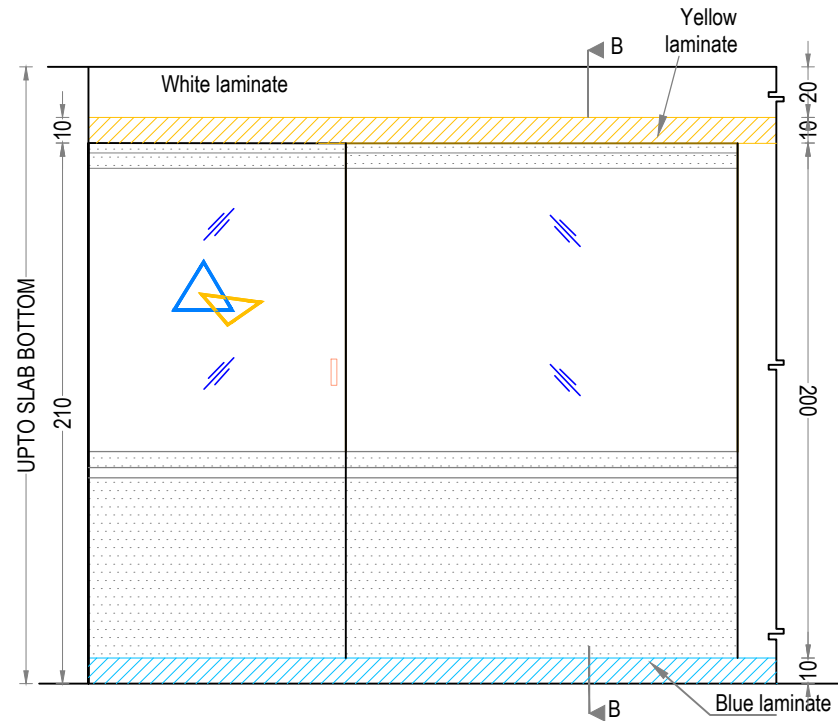
Chief Architect: Ar. K. RAMAKRISHNAN
B.Sc.(Engg), F.I.E, C. Eng (I),
F.I.V, F.I.I.A, (Regd), A.I.I.I.D

Date: 27-10-2023 Drawing No.

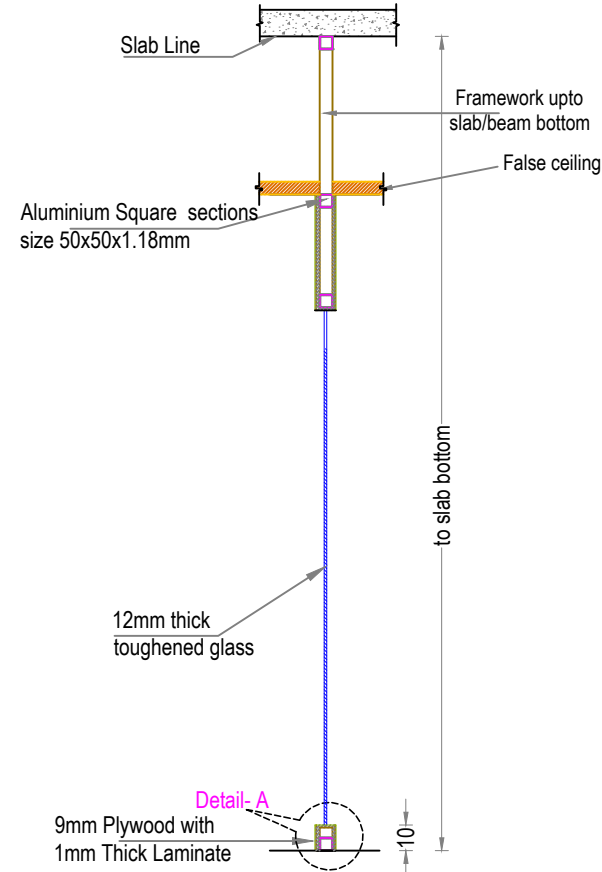
Revision Date: Sheet No: 04

Scale: NTS

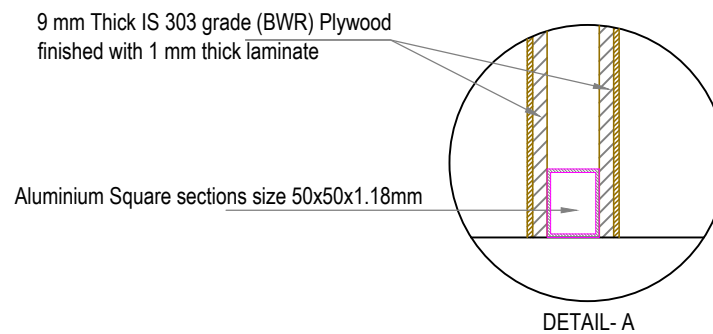
All Dimensions are in CMs.



ELEVATION



SECTION B-B



**PROPOSED INTERIOR FURNISHING
FOR CANARA BANK,
WEST FORT, THRISSUR**

DETAILS OF :	ITEM NOS.
DOUBLE SKIN GLAZED PARTITION	1a

Drawn By: GINISH K G

Architect: Ar.PRAVEEN.P
B. Arch.[Reg], A.I.I.A, A.I.I.I.D

Chief Architect: Ar. K. RAMAKRISHNAN
B.Sc.(Engg), F.I.E, C. Eng (I),
F.I.V, F.I.I.A. (Regd), A.I.I.I.D

Date: 27-10-2023 Drawing No.

Revision Date: Sheet No: 05

Scale: NTS

All Dimensions are in CMs.

**PROPOSED INTERIOR FURNISHING
FOR CANARA BANK,
WEST FORT, THRISSUR**

DETAILS OF :	ITEM NOS.
1. COMPOSITE PANEL	2

Drawn By: GINISH.K.G

Architect: Ar.PRAVEEN.P
B. Arch [Reg], A.I.I.A, A.I.I.I.D

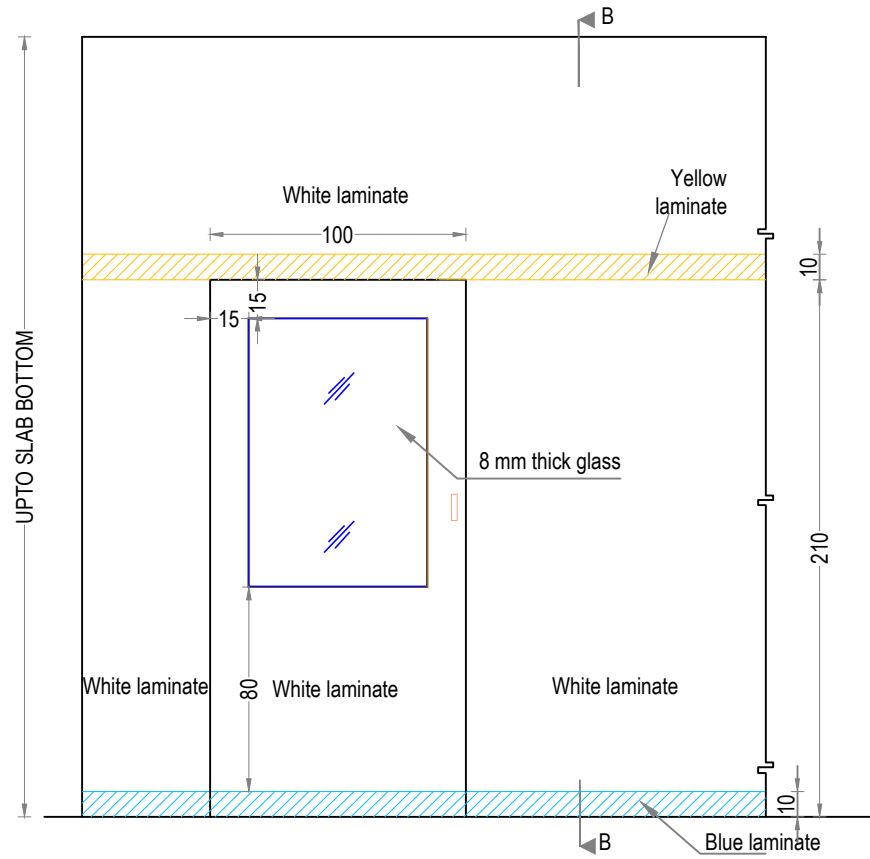
Chief Architect: Ar. K. RAMAKRISHNAN
B.Sc.(Engg), F.I.E, C. Eng (I),
F.I.V, F.I.I.A, (Regd), A.I.I.I.D

Date: 27-10-2023 Drawing No.

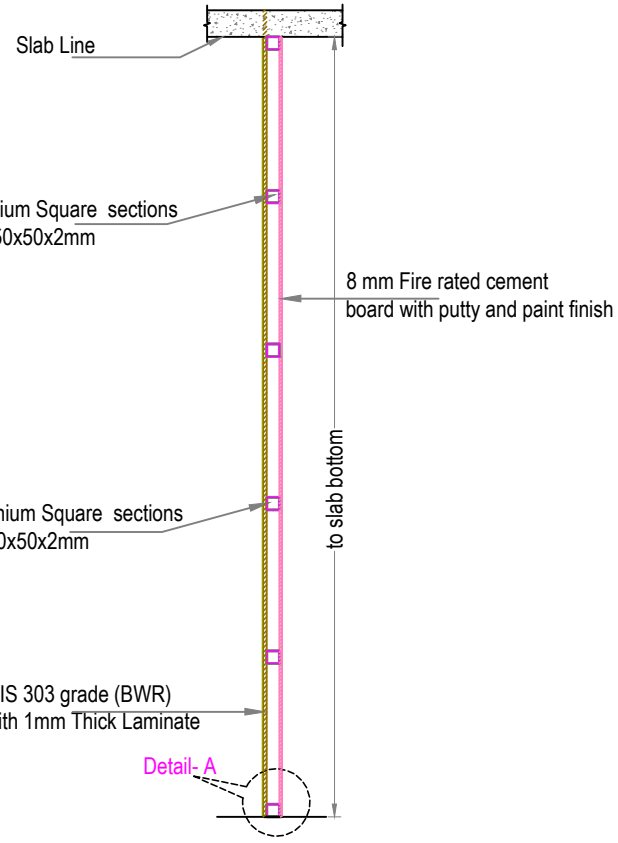
Revision Date: Sheet No: 06

Scale: NTS

All Dimensions are in CMs.



ELEVATION

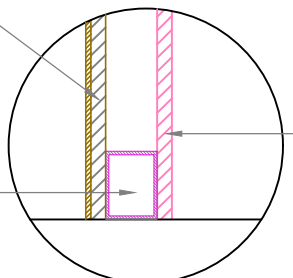


SECTION B-B

9mm thick IS 303 grade (BWR) Plywood finished with 1 mm thick laminate

Aluminium Square sections size 50x50x2mm

8 mm Fire rated cement board with putty and paint finish



DETAIL- A

**PROPOSED INTERIOR FURNISHING
 FOR CANARA BANK,
 WEST FORT, THRISSUR**

DETAILS OF :	ITEM NOS.
DOUBLE SKIN SOLID PARTITION	3

Drawn By: GINISH K G

Architect: Ar. PRAVEEN.P
 B. Arch. [Reg], A.I.I.A, A.I.I.I.D

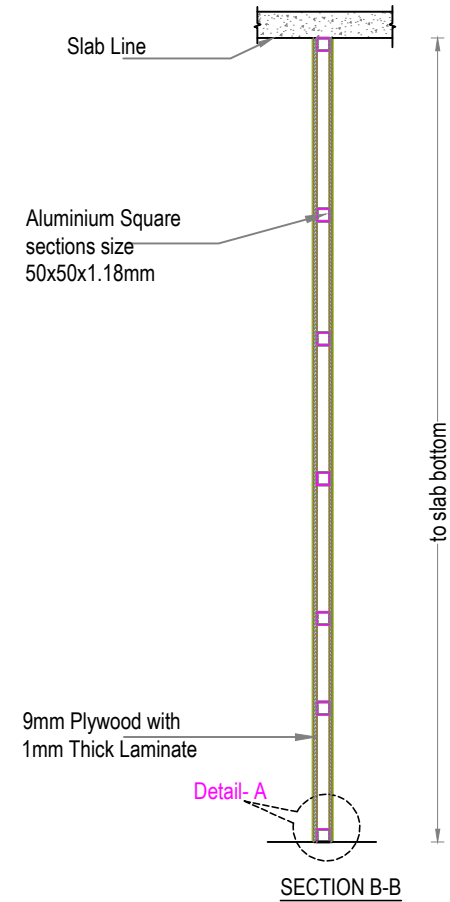
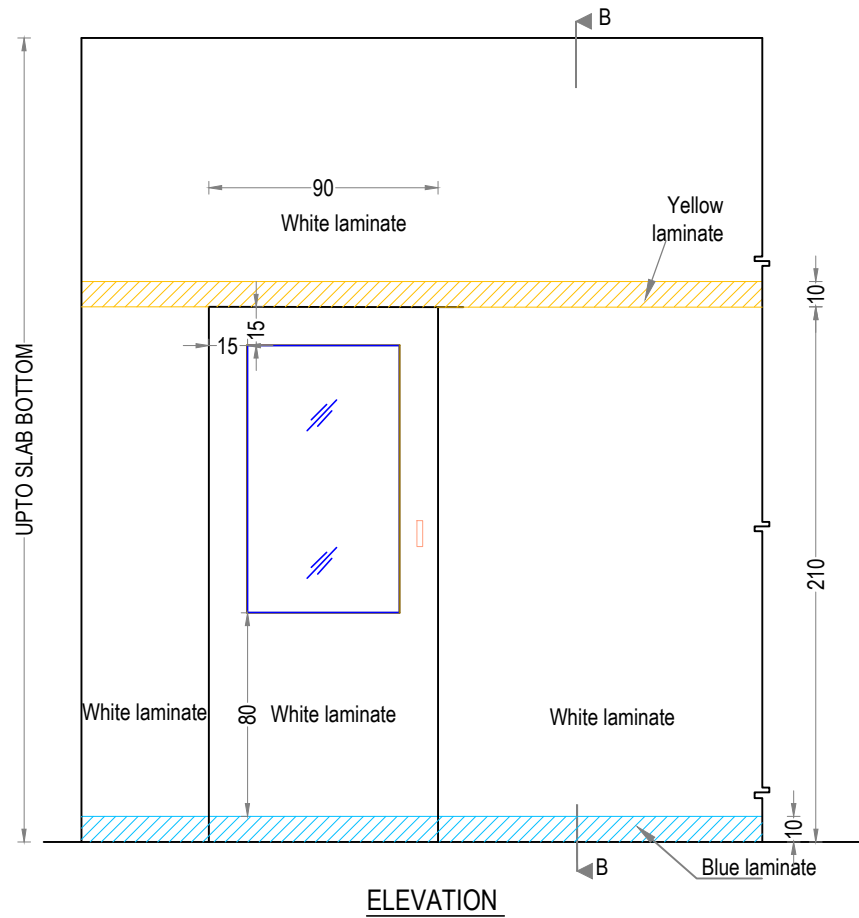
Chief Architect: Ar. K. RAMAKRISHNAN
 B.Sc.(Engg), F.I.E, C. Eng (I),
 F.I.V, F.I.I.A. (Regd), A.I.I.I.D

Date: 27-10-2023 Drawing No.

Revision Date: Sheet No: 07

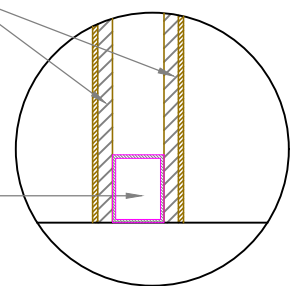
Scale: NTS

All Dimensions are in CMs.



9 mm Thick IS 303 grade (BWR)
 Plywood finished with 1 mm thick
 laminate

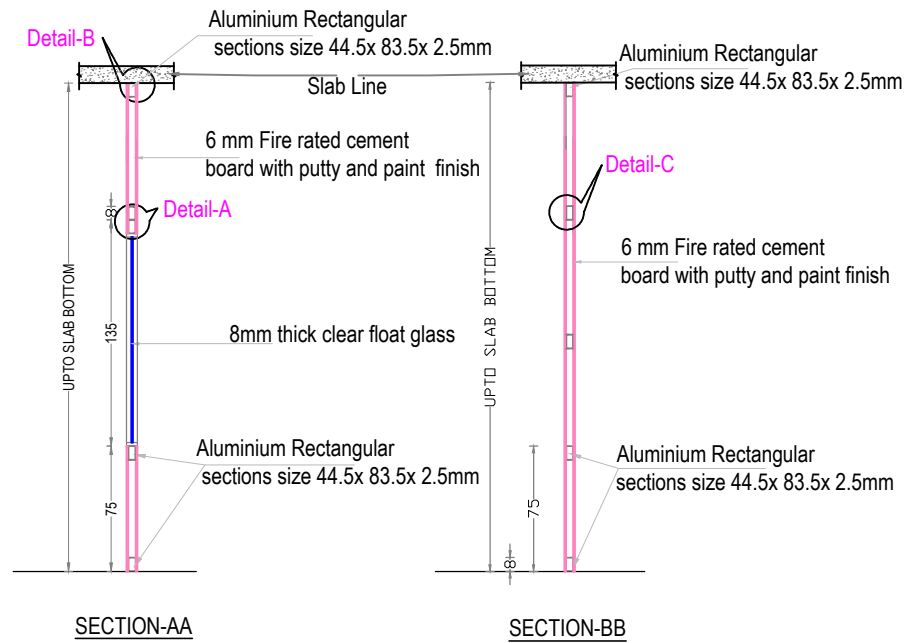
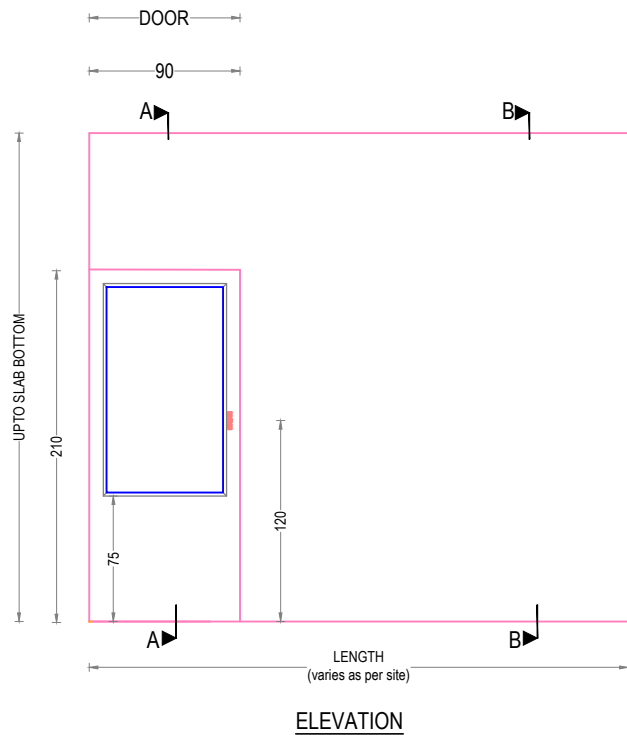
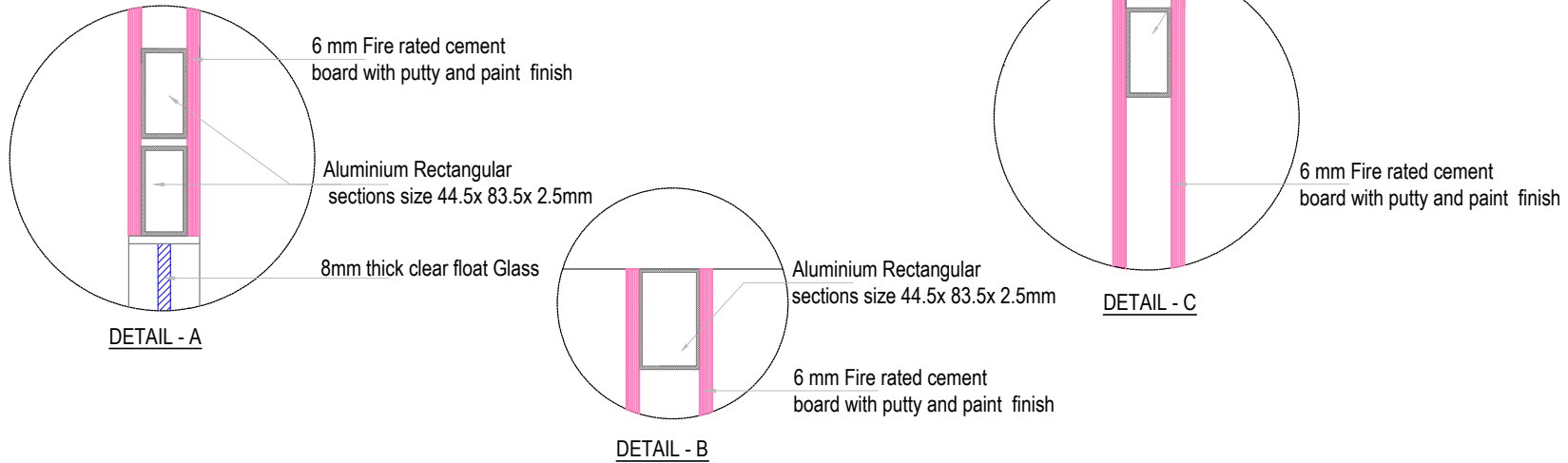
Aluminium Square sections size
 50x50x1.18mm



DETAIL- A



ENARC CONSULTANTS
 ARCHITECTS & ENGINEERS
 M. G. Road, Thrissur - 1.
 Tel. : (+91 487) 2441901
 Fax : (+91 487) 2442011
 E-mail : office@enarc.net.in



PROPOSED INTERIOR FURNISHING FOR CANARA BANK, WEST FORT, THRISSUR

DETAILS OF :	ITEM Nos.
1. FIRE RATED CEMENT PARTITION	4

Drawn by	GINISH K G
----------	------------

Architect	Ar.PRAVEEN.P B. Arch,[Reg], A.I.I.A, A.I.I.I.D
-----------	---

Chief Architect	Ar. K. RAMAKRISHNAN B.Sc.(Engg), M.I.E, C. Eng (I), F.I.V , F.I.I.A. (Regd), A.I.I.I.D
-----------------	--

Date:27-10-2023	Drawing No.
-----------------	-------------

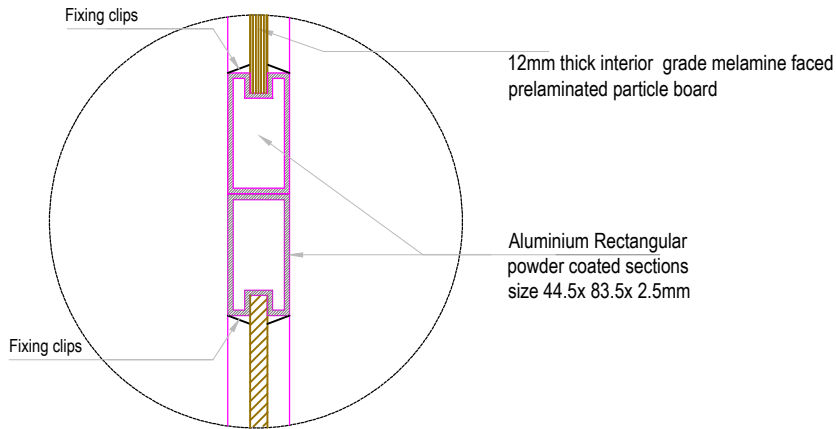
Revision Date:	Sheet No. 08
----------------	--------------

Scale	NTS
-------	-----

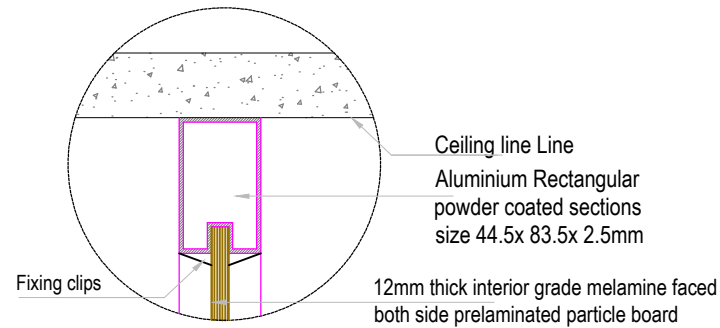
All Dimensions are in CMs.



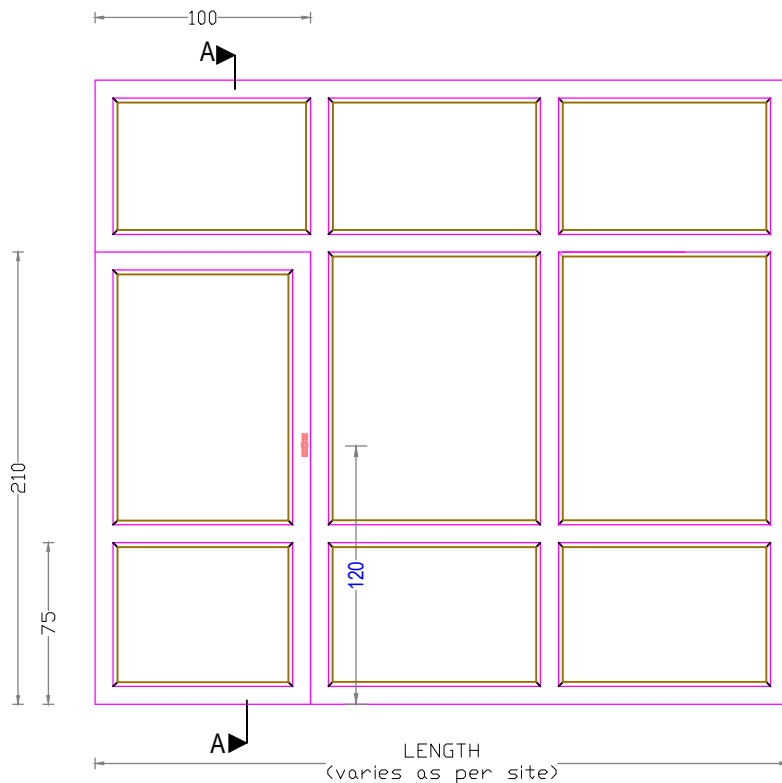
ENARC CONSULTANTS
ARCHITECTS & ENGINEERS
 M. G. Road, Thrissur - 1.
 Tel. : (+91 487) 2441901
 Fax : (+91 487) 2442011
 E-mail : office@enarc.net.in



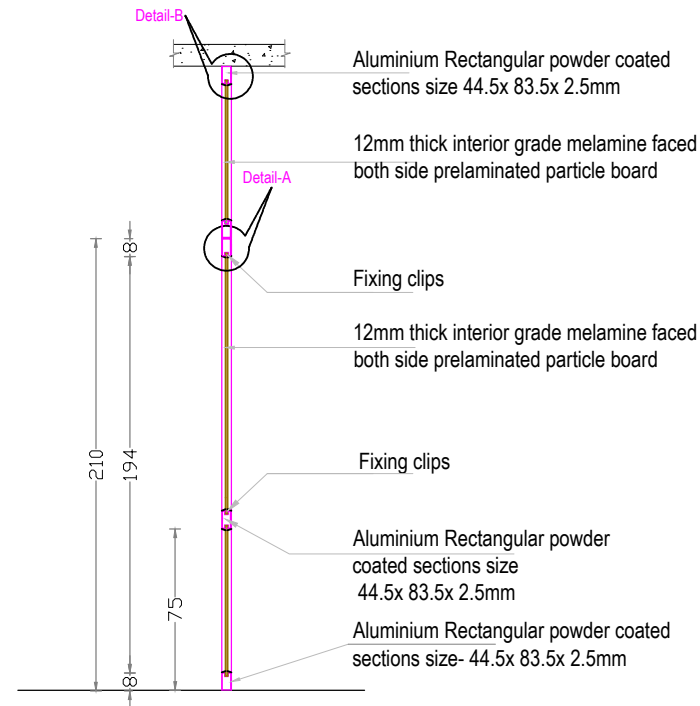
DETAIL - A



DETAIL - B



ELEVATION



SECTION-AA

**PROPOSED INTERIOR FURNISHING
 FOR CANARA BANK,
 WEST FORT, THRISSUR**

DETAILS OF : 1. ALUMINIUM DOOR	ITEM Nos. 5a
2. ALUMINIUM PARTITION	5

Drawn by	GINISH.K.G
----------	------------

Architect	Ar.PRAVEEN.P B. Arch.[Reg], A.I.I.A, A.I.I.I.D
-----------	---

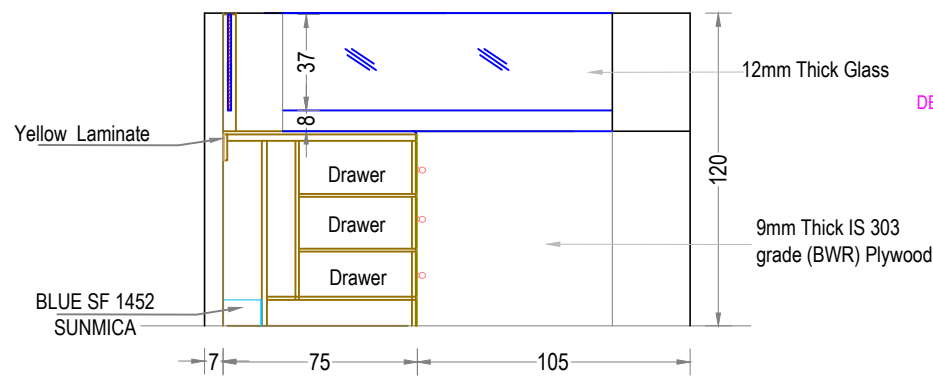
Chief Architect	Ar. K. RAMAKRISHNAN B.Sc.(Engg), M.I.E, C. Eng (I), F.I.V , F.I.I.A. (Regd), A.I.I.I.D
-----------------	--

Date: 27-10-2023	Drawing No.
------------------	-------------

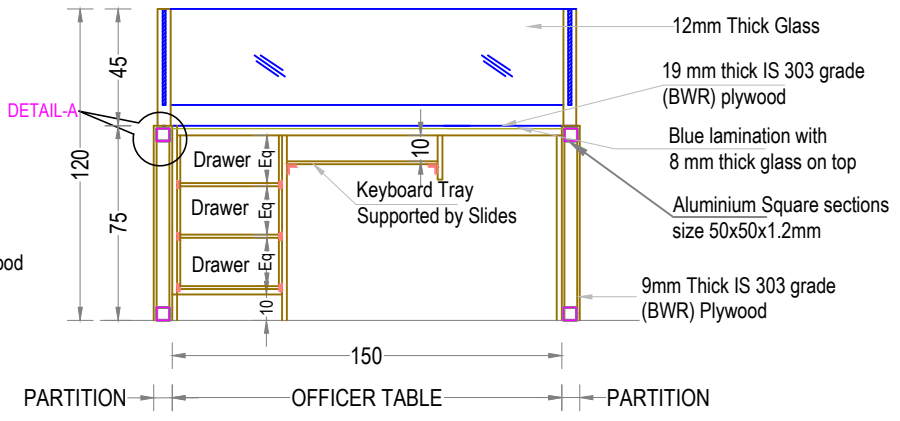
Revision Date:	Sheet No. 09
----------------	--------------

Scale	NTS
-------	-----

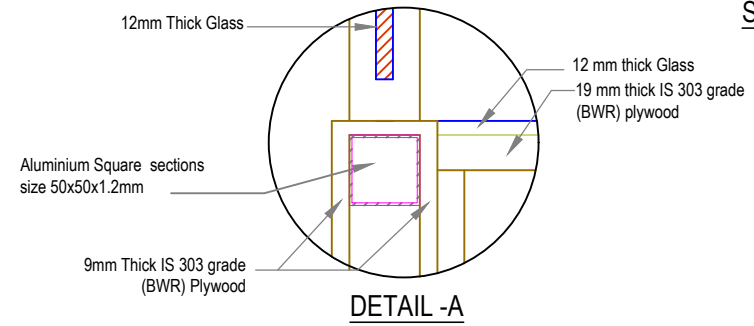
All Dimensions are in Cms.



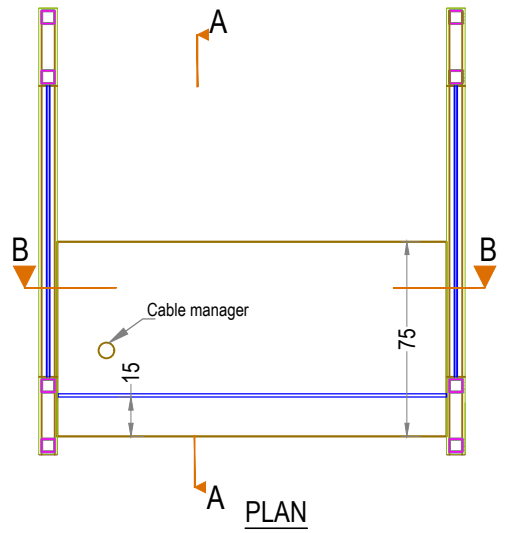
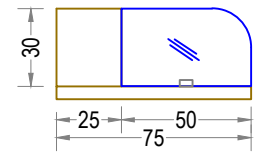
SECTION A-A



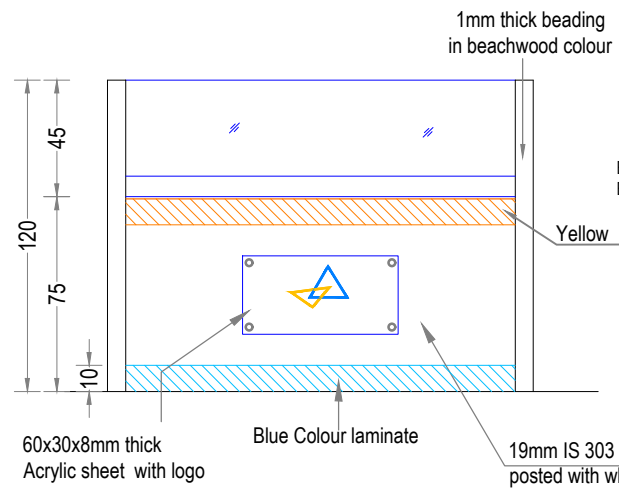
SECTION B-B



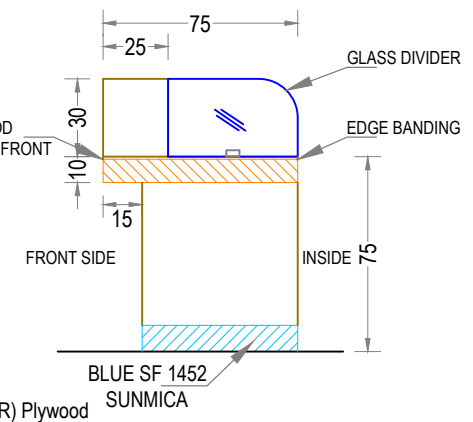
DETAIL - A



PLAN



FRONT ELEVATION



SIDE ELEVATION OF COUNTER

PROPOSED INTERIOR FURNISHING FOR CANARA BANK, WEST FORT, THRISSUR

DETAILS OF :	ITEM NO.
1. SEMI PARTITION 120CM HEIGHT	6

Drawn by ANUMOL T C

Architect Ar.PRAVEEN.P
B. Arch.[Reg], A.I.I.A, A.I.I.I.D

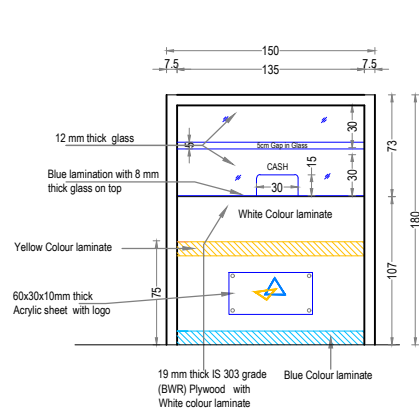
Chief Architect Ar. K. RAMAKRISHNAN
B.Sc.(Engg), F.I.E, C. Eng (I),
F.I.V., I.I.I.D, F.I.I.A. (Regd.)

Date: 27-10-2023 Drawing No.

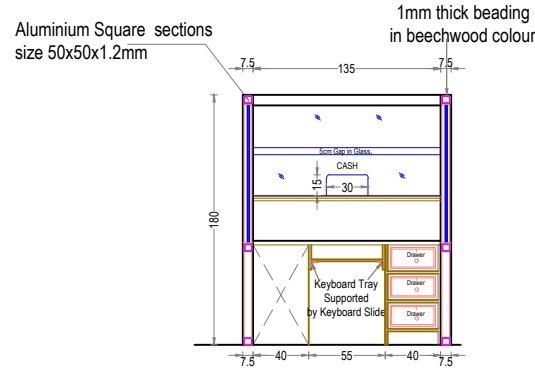
Revision Date: Sheet No: 10

Scale NTS

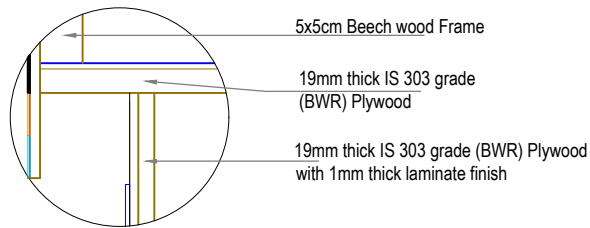
All Dimensions are in CMs.



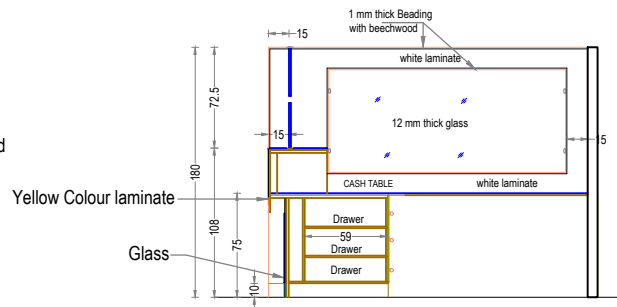
FRONT ELEVATION



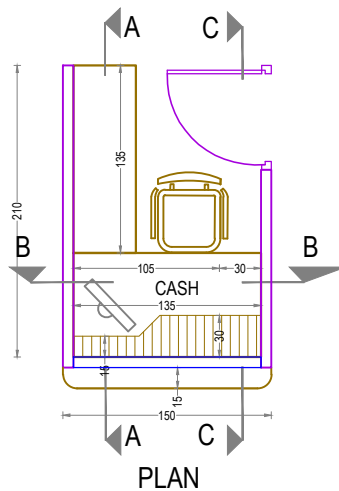
SECTION BB



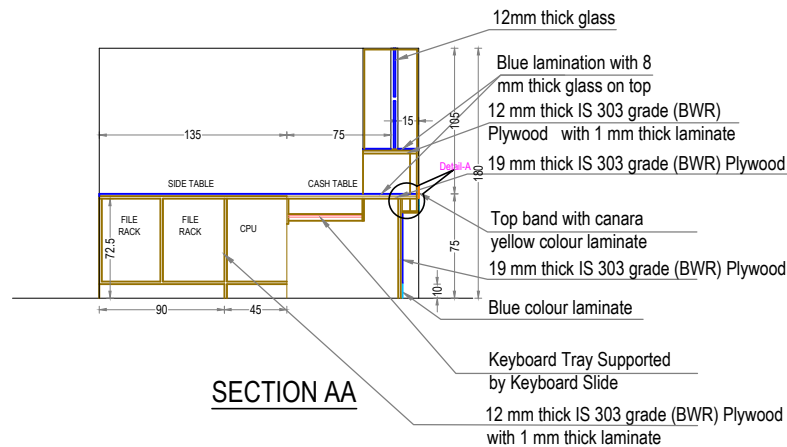
DETAIL A



SECTION CC



PLAN



SECTION AA

**PROPOSED INTERIOR FURNISHING
 FOR CANARA BANK,
 WEST FORT, THRISSUR**

DETAILS OF :	ITEM NOS.
1. CASH COUNTER PARTITIONS	8
2. CASH TABLE 150 X 90 X 75 CM	16
3. SIDE TABLE 135 X 45 X 75 CM	19c

Drawn by: GINISH K G

Architect: Ar.PRAVEEN.P
 B. Arch.[Reg], A.I.I.A, A.I.I.I.D

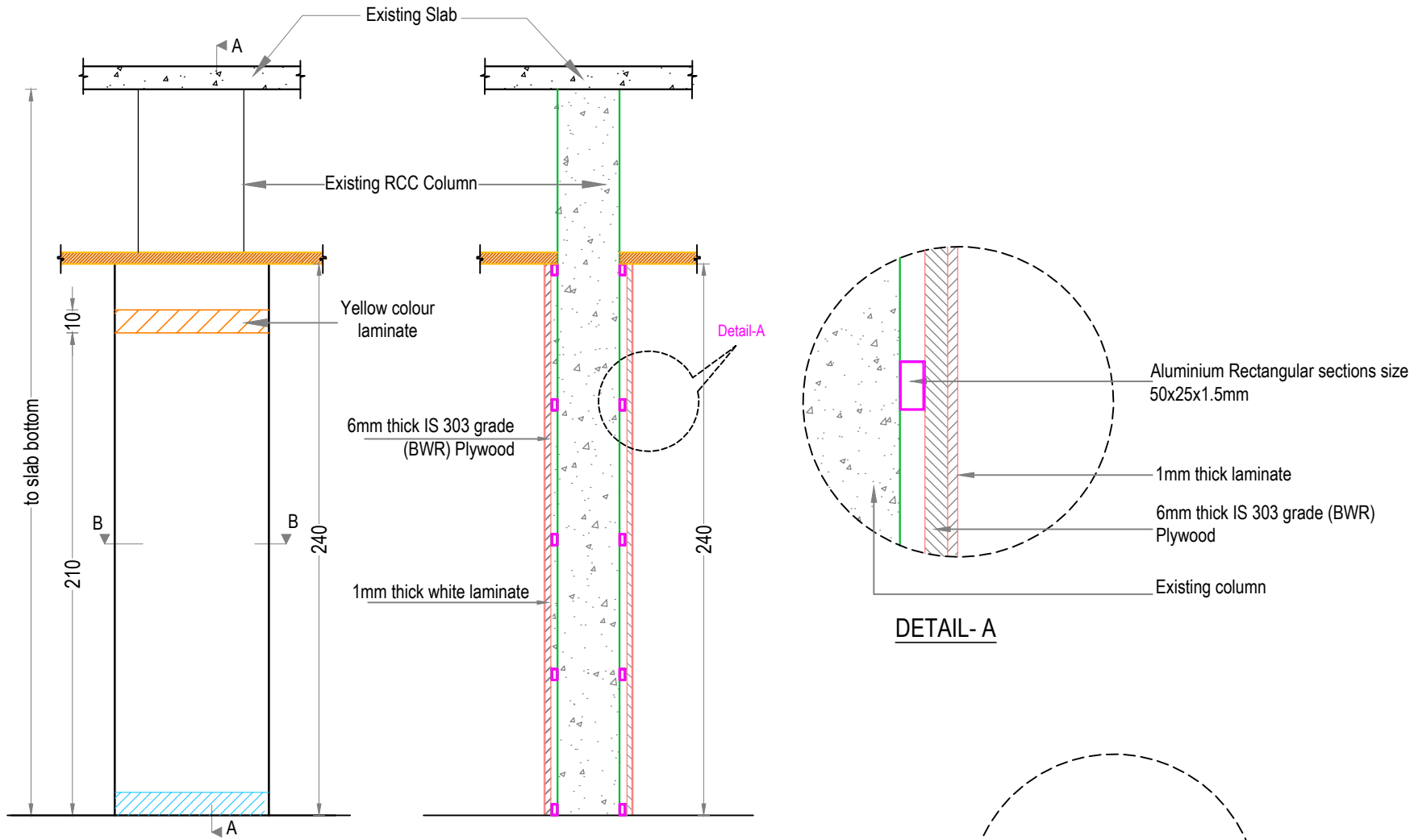
Chief Architect: Ar. K. RAMAKRISHNAN
 B.Sc.(Engg), F.I.E, C. Eng (I),
 F.I.V, F.I.I.A. (Regd), A.I.I.I.D

Date: 27-10-2023 Drawing No.

Revision Date: Sheet No. **11**

Scale: NTS

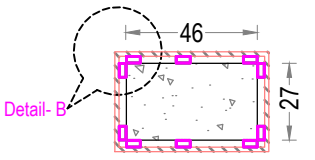
All Dimensions are in CMs.



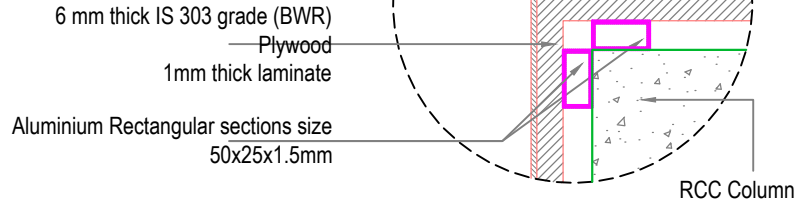
ELEVATION

SECTION- AA

DETAIL- A



SECTION- BB



DETAIL- B

**PROPOSED INTERIOR FURNISHING
FOR CANARA BANK,
WEST FORT, THRISSUR**

DETAILS OF :	
COLUMN PANELLING	8

Drawn by GINISH K G

Architect
Ar.PRAVEEN.P
B. Arch.[Reg], A.I.I.A, A.I.I.I.D

Chief Architect

Ar. K. RAMAKRISHNAN
B.Sc.(Engg), F.I.E, C. Eng (I),
F.I.V., F.I.I.A. (Regd), A.I.I.I.D

Date: 27-10-2023 Drawing No.

Revision Date: Sheet No: 12

Scale
All Dimensions are in CMs.

**PROPOSED INTERIOR FURNISHING
 FOR CANARA BANK,
 WEST FORT, THRISSUR**

DETAILS OF :	ITEM NO.
LOW LEVEL CUPBOARDS 75 CMS HEIGHT	9a

Drawn by GINISH K G

Architect Ar.PRAVEEN.P
 B. Arch.[Reg], A.I.I.A, A.I.I.I.D

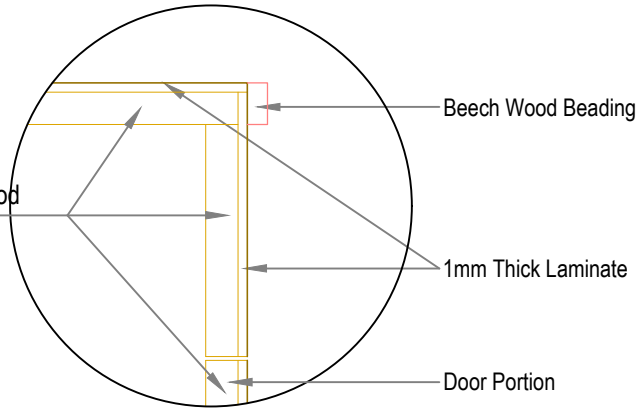
Chief Architect
 Ar. K. RAMAKRISHNAN
 B.Sc.(Engg), F.I.E, C. Eng (I),
 F.I.V.I.I.I.D, F.I.I.A. (Regd),

Date: 27-10-2023 Drawing No.

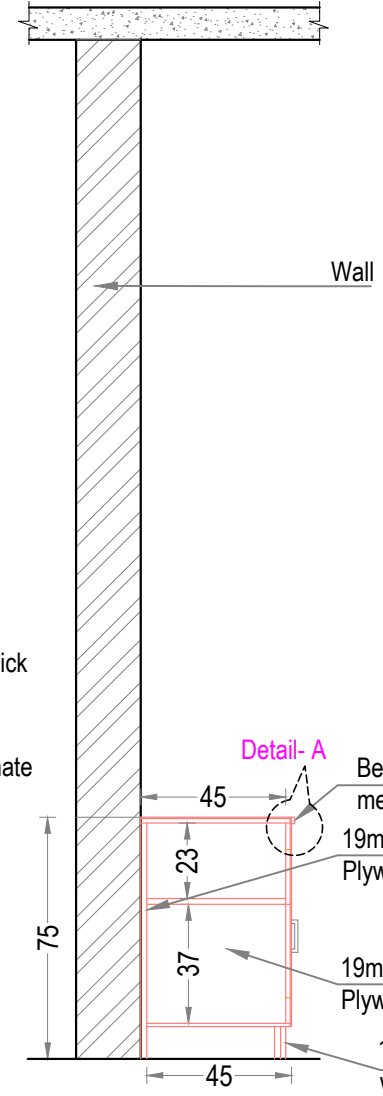
Revision Date: Sheet No: 13

Scale NTS

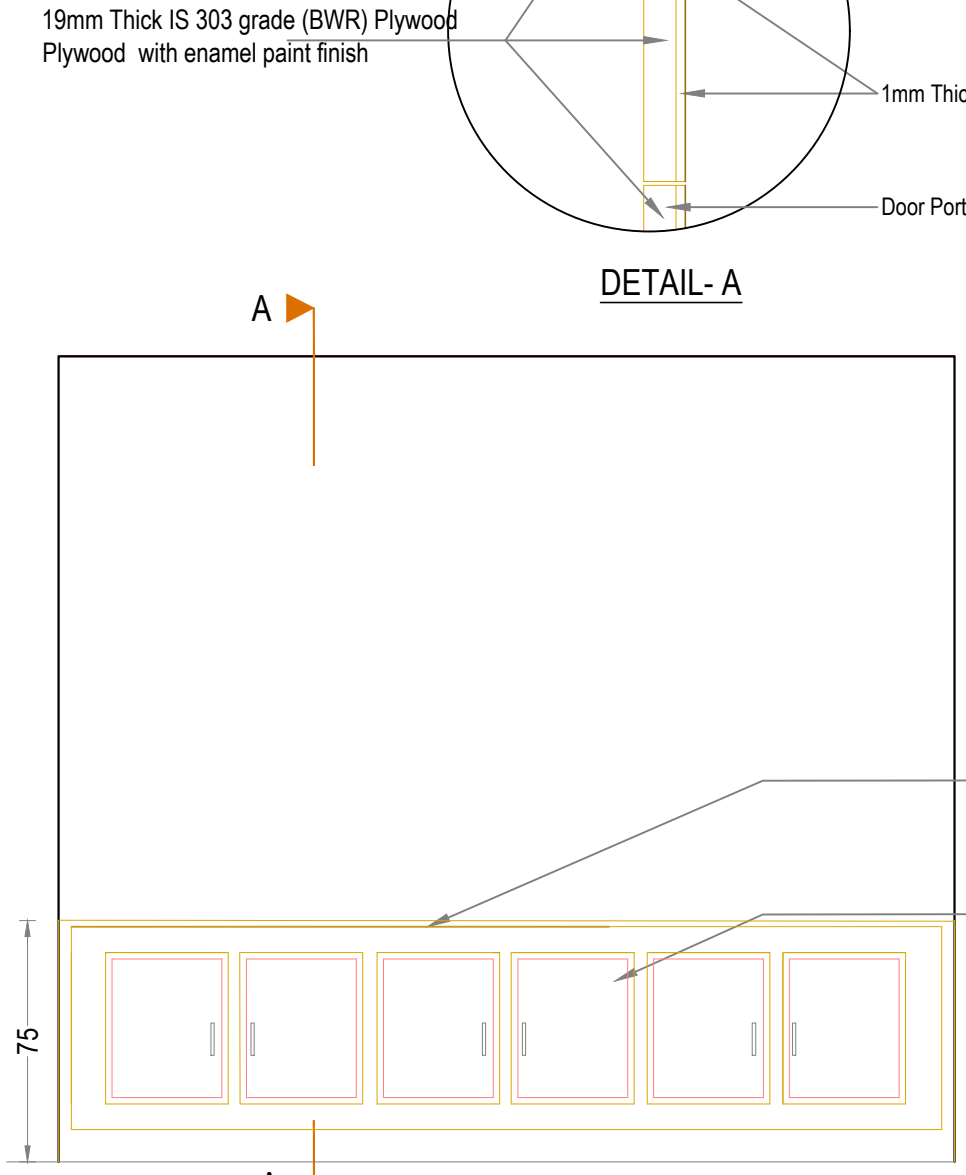
All Dimensions are in CMs.



DETAIL- A



SECTION- AA



ELEVATION

19mm Thick IS 303 grade (BWR) Plywood
 Plywood with enamel paint finish

Beech Wood Beading

1mm Thick Laminate

Door Portion

Wall

Beech Wood
Beading 2cm thick

Groove in laminate
2mm thick

Detail- A

Beech wood beading
melamine matt polished
19mm thick IS 303 grade (BWR)
Plywood with enamel paint finish

19mm thick IS 303 grade (BWR)
Plywood with enamel paint finish

12mm thick teak wood planks
with melamine matt finish

75

75

45

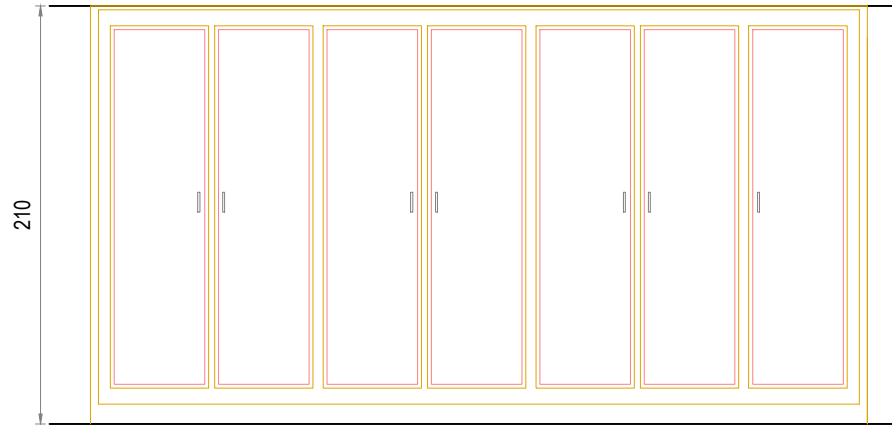
23

37

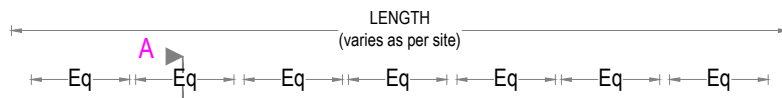
45

A

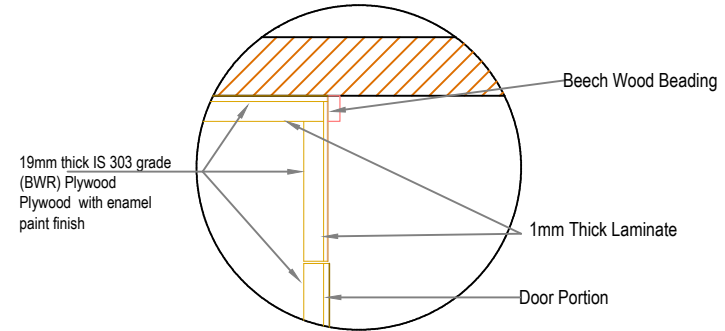
A



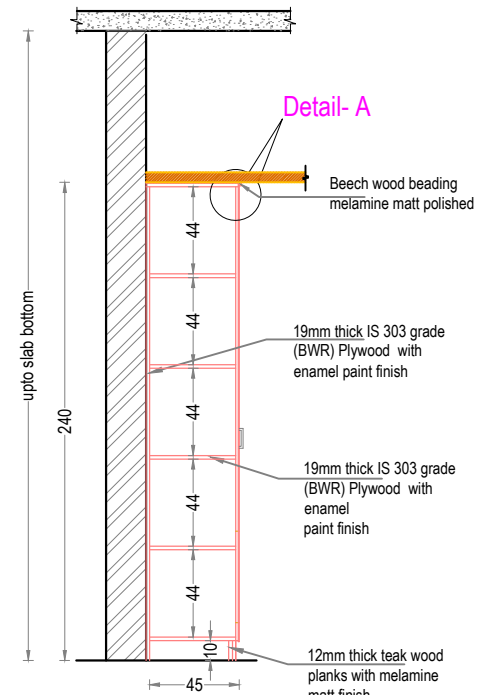
ELEVATION



PLAN.



DETAIL- A



SECTION- AA

PROPOSED INTERIOR FURNISHING FOR CANARA BANK PUTHANATHANI

DETAILS OF :	ITEM NO.
CUPBOARD FULL HEIGHT	9b

Drawn by GINISH K G

Architect Ar.PRAVEEN.P
 B. Arch,[Reg], A.I.I.A, A.I.I.I.D

Chief Architect

Ar. K. RAMAKRISHNAN
 B.Sc.(Engg), F.I.E, C. Eng (I),
 F.I.V ,I.I.I.D ,F.I.I.A. (Regd),

Date: 27-10-2023 Drawing No.

Revision Date: Sheet No: 14

Scale NTS

All Dimensions are in CMs.

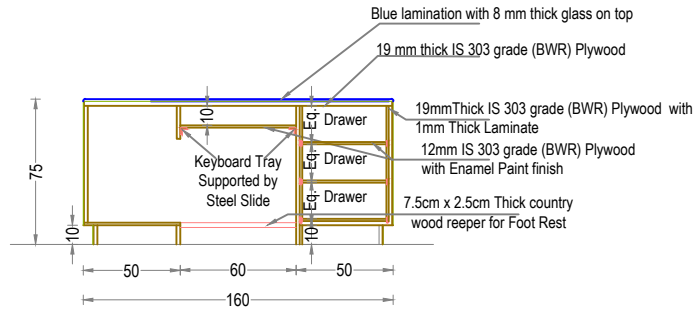
**PROPOSED INTERIOR FURNISHING
 FOR CANARA BANK,
 WEST FORT, THRISSUR**

DETAILS OF :	ITEM NOS.
MANAGER TABLE 160X90X75	12
SIDE TABLE 120X45X72.5	15a

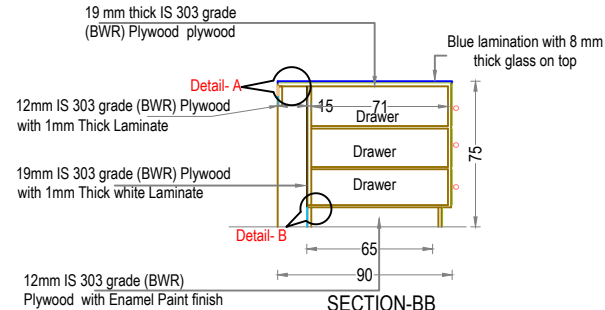
Drawn by	GINISH K G
Architect	Ar.PRAVEEN.P B. Arch.[Reg], A.I.I.A, A.I.I.I.D

Chief Architect	Ar. K. RAMAKRISHNAN B.Sc.(Engg), F.I.E. C. Eng (I), F.I.V, F.I.I.A. (Regd), A.I.I.I.D
-----------------	---

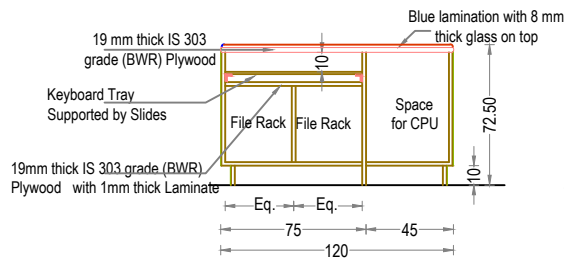
Date: 27-10-2023	Drawing No.
Revision Date:	Sheet No. 15
	Scale NTS
All Dimensions are in CMs.	



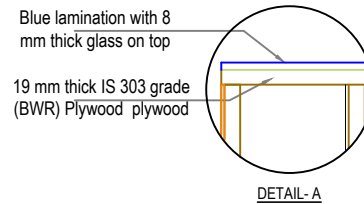
SECTION-AA



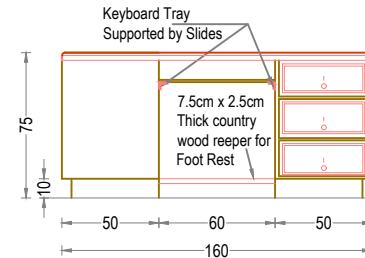
SECTION-BB



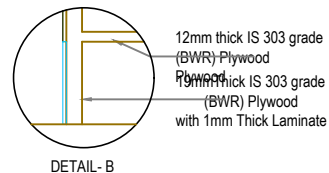
SECTION CC OF SIDE TABLE



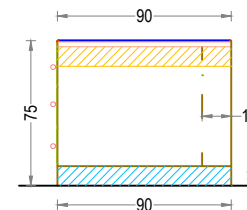
DETAIL-A



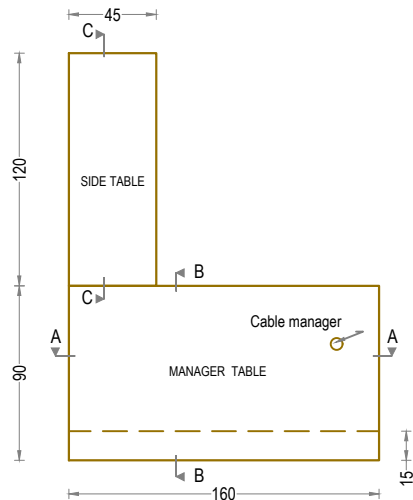
REAR ELEVATION OF TABLE



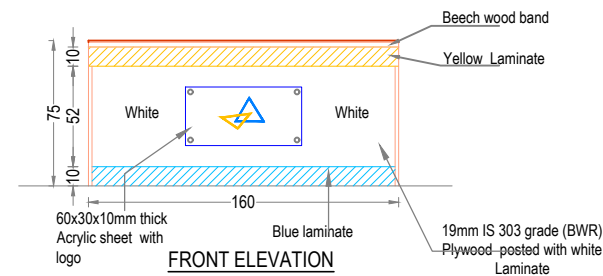
DETAIL-B



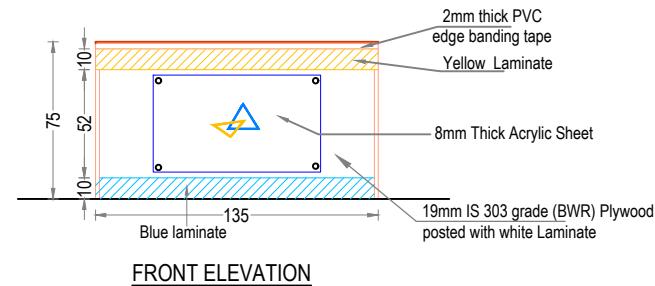
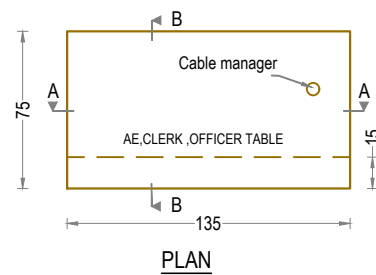
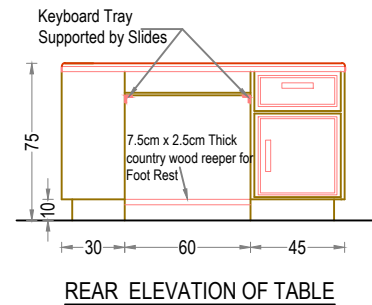
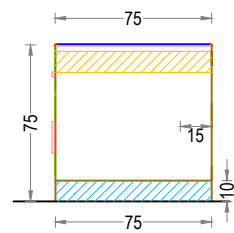
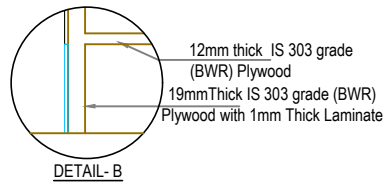
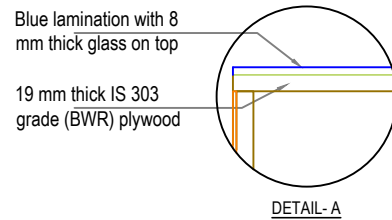
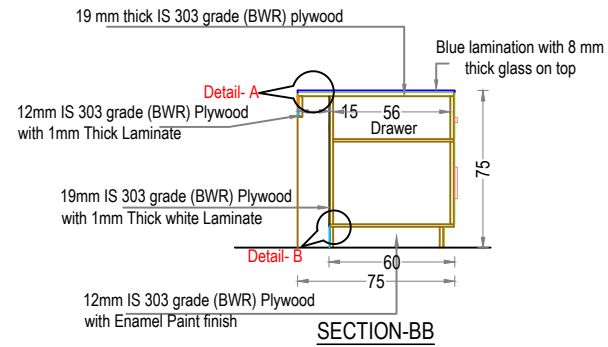
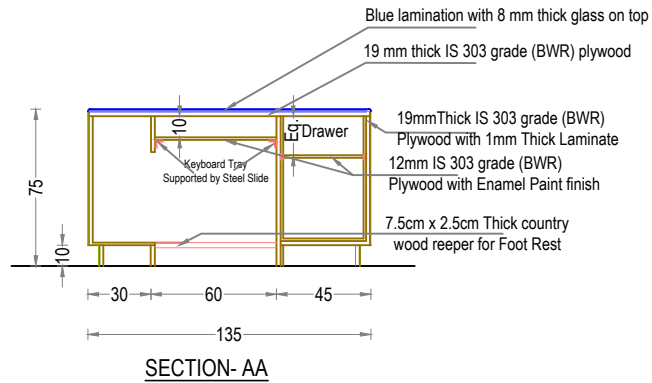
SIDE ELEVATION OF TABLE



PLAN



FRONT ELEVATION



**PROPOSED INTERIOR FURNISHING
 FOR CANARA BANK,
 WEST FORT, THRISSUR**

DETAILS OF :	ITEM NOS.
1.AE,CLERK ,OFFICER TABLE 135 X 75 X 75	15

Drawn by GINISH K G

Architect Ar.PRAVEEN.P
 B. Arch.[Reg], A.I.I.A, A.I.I.I.D

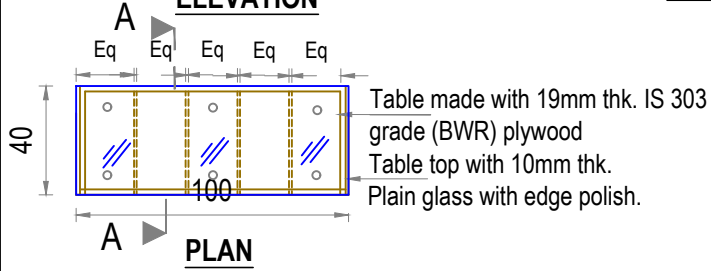
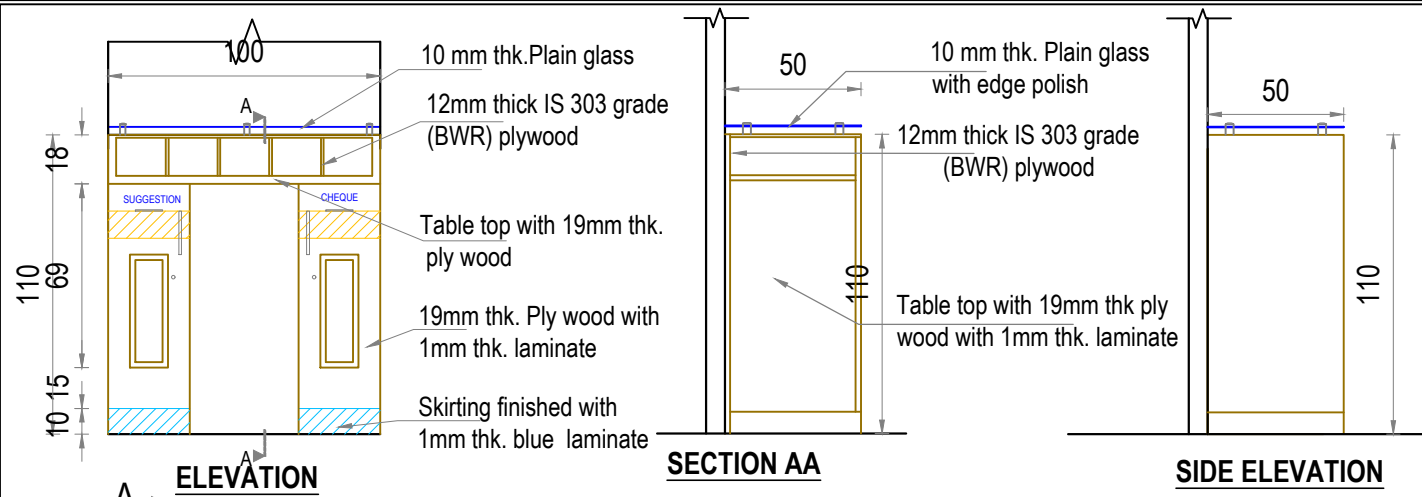
Chief Architect Ar. K. RAMAKRISHNAN
 B.Sc.(Engg), F.I.E, C. Eng (I),
 F.I.V , F.I.I.A. (Regd), A.I.I.I.D

Date: 25-10-2023 Drawing No.

Revision Date: Sheet No. 16

Scale NTS

All Dimensions are in CMs.



PROPOSED INTERIOR FURNISHING FOR CANARA BANK, WEST FORT, THRISSUR

DETAILS OF :	ITEM NOS.
WRITING DESK (100 X 40 X 110)	21
NOTICE BOARD (100 X 120)	23
DRESSING TABLE FOR STRONG ROOM (60 X 25)	24
SUGGESTION BOX	4

Drawn by GINISH.K.G

Architect Ar.PRAVEEN.P
 B. Arch.[Reg], A.I.I.A, A.I.I.I.D

Chief Architect

Ar. K. RAMAKRISHNAN
 B.Sc.(Engg), M.I.E, C. Eng (I),
 F.I.V.A.I.I.A.(Regd.)

Date: 25-10-2023 Drawing No.

Revision Date: Sheet No : 17

Scale : NTS

All Dimensions are in CMS.

