

DD - SHEET NO : 01 - MANAGER TABLE

Note : This drawing / design is the copyright/ property of the architects and is not to be reproduced, copied or handed over to a third party without the architects written consent.

Note : all levels and dimensions should be checked and if there is any change from details issued, the architects should be informed before the commencement of the work.

NOTE : All dimensions are in inches & feet

Job No. : CB/PPL/KL  
 Drg No. : 01 - DD/23  
 Date : 16.02.2023  
 Rew Date :  
 Drawn By : Balaji  
 CKD By : VinithaMukund

**CHIEF MANAGER  
 TABLE WITH  
 SIDE UNIT**

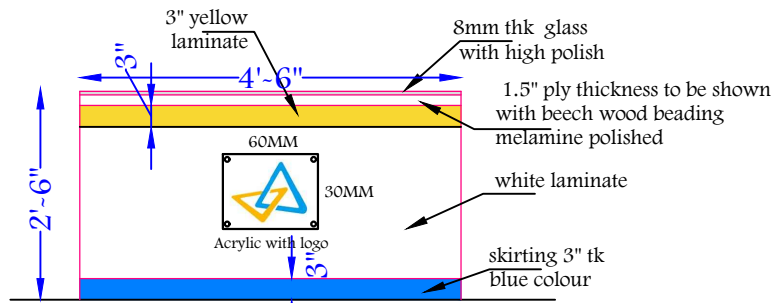
**CANARA BANK**

**PERUMPILAVU BRANCH**

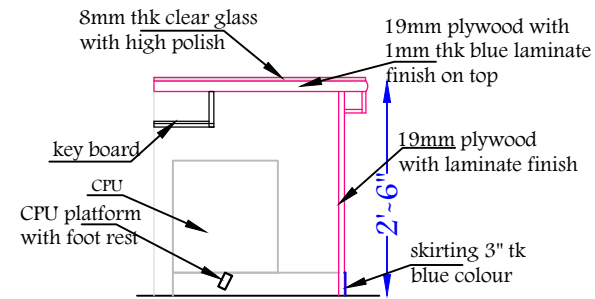


H3 - Ras Subiksha Mascot,  
 Behind Deepam Hospital,  
 Trichy Road,  
 Ramanathapuram,  
 Coimbatore - 641 045.  
 0422 - 2313958.

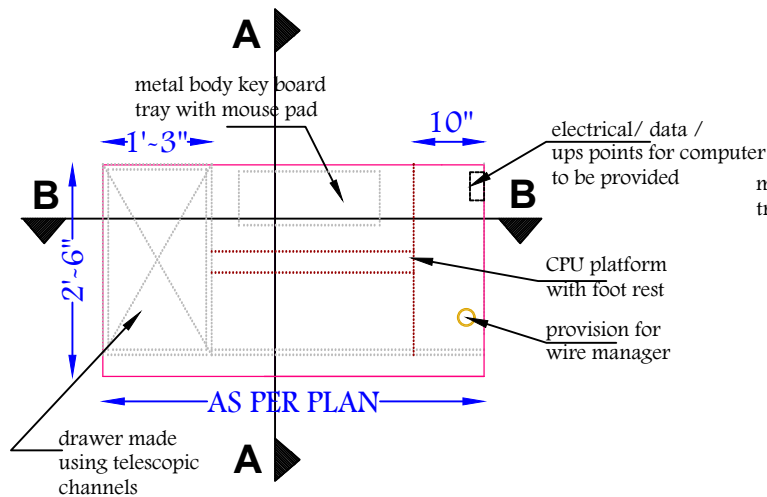
Email: architect.shrishti@gmail.com



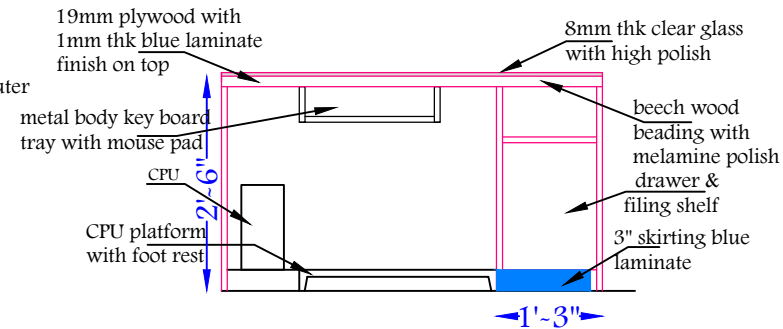
**FRONT ELEVATION**



**SECTION - AA**



**PLAN**



**SECTION - BB**

DD - SHEET NO : 02 - OFFICER & CLERK

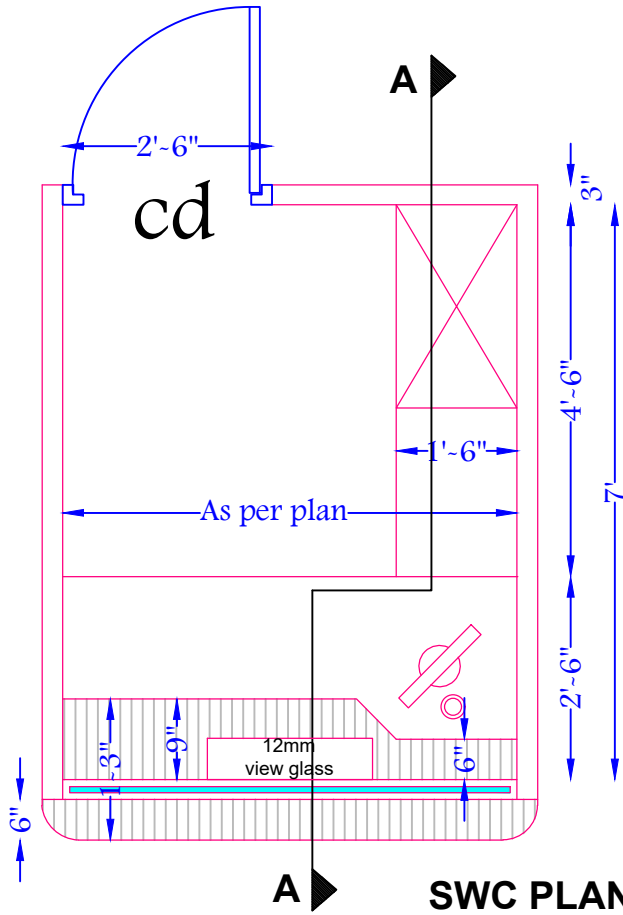
Note : all levels and dimensions should be checked and if there is any change from details issued, the architects should be informed before the commencement of the work.  
Note : This drawing / design is the copyright/ property of the architects and is not to be reproduced, copied or handed over to a third party without the architects written consent.

NOTE : All dimensions are in inches & feet	
Job No. :	CB/PPL/KL
Drg No. :	02 - DD/23
Date :	16.02.2023
Rew Date :	
Drawn By :	Balaji
CKD By :	Vinitha Mukund

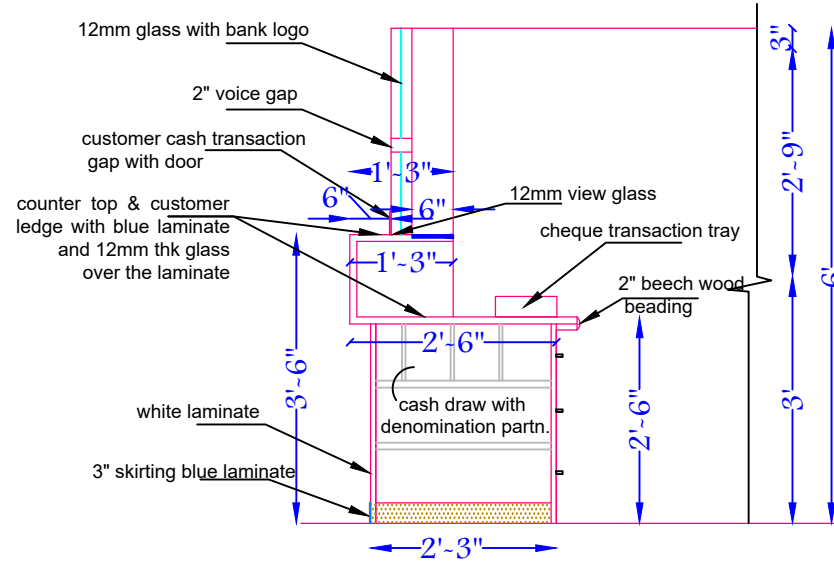
**OFFICER &  
CLERK  
TABLE  
WITH OUT SIDE UNIT**

**CANARA BANK**  
**PERUMPILAVU BRANCH**

**SHRISHI**  
H3 - Ras Subiksha Mascot,  
Behind Deepam Hospital,  
Trichy Road,  
Ramanathapuram,  
Coimbatore - 641 045.  
0422 - 2313958.  
Email: architect.shrishti@gmail.com



**SWC PLAN**



**SECTION-A A**

DD - SHEET NO : 03 - SWC SECTION

Note : This drawing / design is the copyright/ property of the architects and is not to be reproduced, copied or handed over to a third party without the architects written consent.

Note : all levels and dimensions should be checked and if there is any change from details issued, the architects should be informed before the commencement of the work.

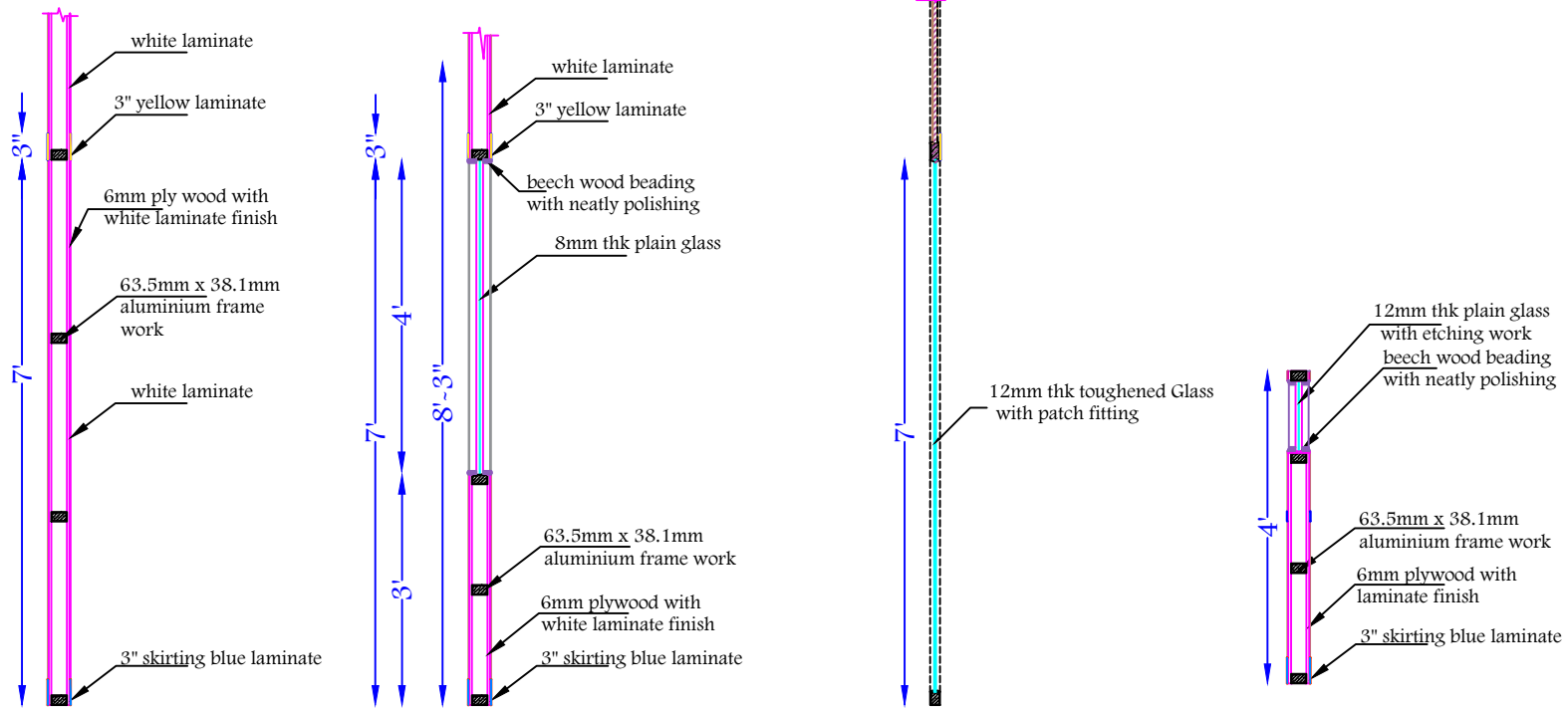
SRM signature:

NOTE : All dimensions are in inches & feet	
Job No.	: CB/PPL/KL
Drg No.	: 03 - DD/23
Date	: 16.02.2023
Rew Date	:
Drawn By	: Balaji
CKD By	: Vinitha Mukund

SECTION ON SINGLE WINDOW COUNTER

**CANARA BANK**  
PERUMPILAVU BRANCH

**SHRISHI**  
H3 - Ras Subiksha Mascot,  
Behind Deepam Hospital,  
Trichy Road,  
Ramanathapuram,  
Coimbatore - 641 045.  
0422 - 2313958.  
Email: architect.shrishti@gmail.com



NON GLAZED

PARTIALLY GLAZED PARTITION

FULLY GLAZED

SEMI GLAZED PARTITION

**PARTITION**

DD - SHEET NO : 04 - PARTITION

Note : This drawing / design is the copyright/ property of the architects and is not to be reproduced, copied or handed over to a third party without the architects written consent.

Note : all levels and dimensions should be checked and if there is any change from details issued, the architects should be informed before the commencement of the work.

NOTE : All dimensions are in inches & feet

Job No. : CB/PPL/KL  
 Drg No. : 04 - DD/23  
 Date : 16.02.2023  
 Rew Date :  
 Drawn By : Balaji  
 CKD By : Vinitha Mukund

FULLY, PARTLY ,  
 NON & SEMI GLAZED  
 PARTITION

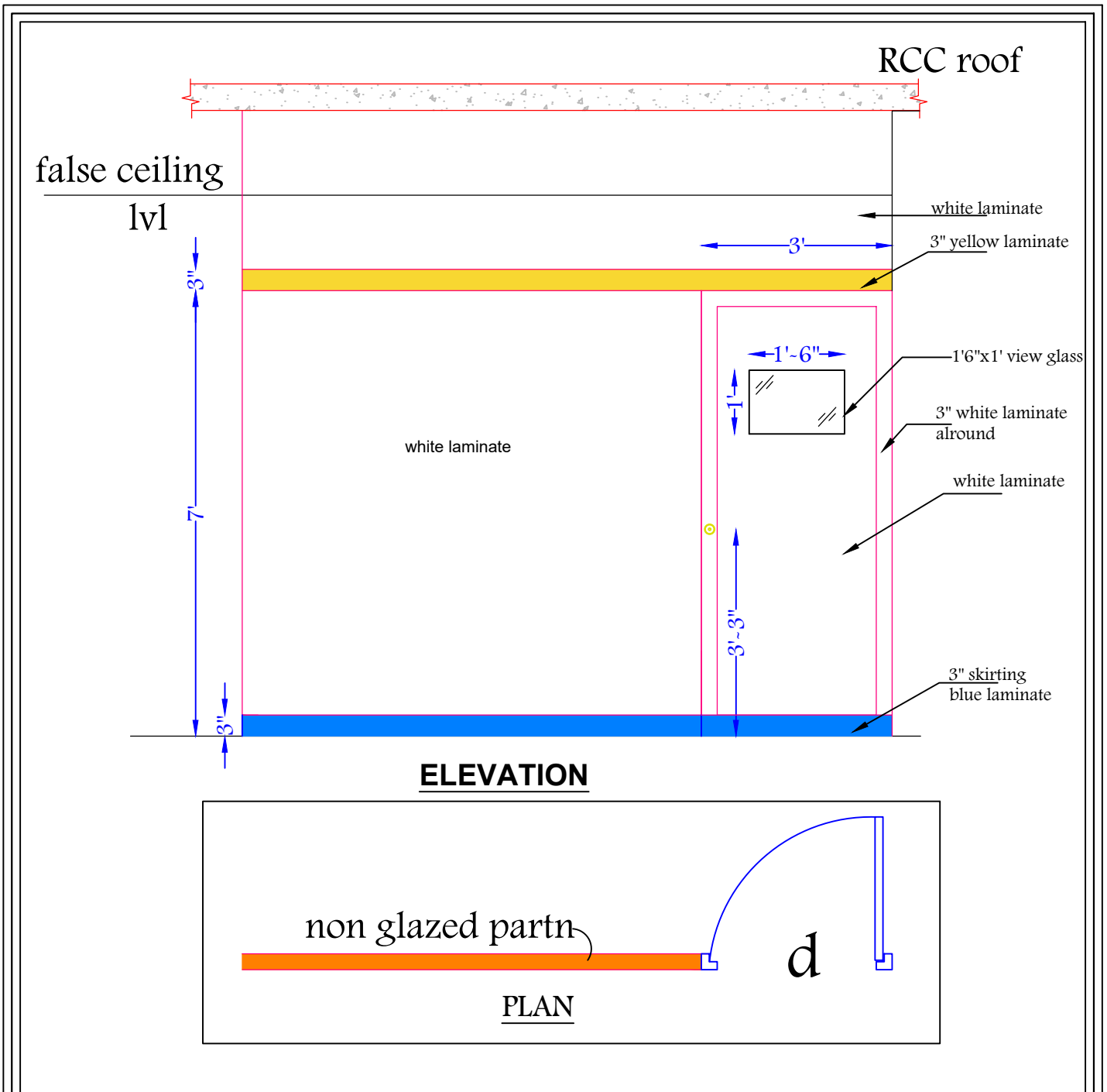
**CANARA BANK**

**PERUMPILAVU BRANCH**



H3 - Ras Subiksha Mascot,  
 Behind Deepam Hospital,  
 Trichy Road,  
 Ramanathapuram,  
 Coimbatore - 641 045.  
 0422 - 2313958.

Email: architect.shrishti@gmail.com



DD - SHEET NO : 05 - NON GLAZED PARTITION

Note : This drawing / design is the copyright/ property of the architects and is not to be reproduced, copied or handed over to a third party without the architects written consent.

Note : all levels and dimensions should be checked and if there is any change from details issued, the architects should be informed before the commencement of the work.

SRM signature:

NOTE : All dimensions are in inches & feet	
Job No.	: CB/PPL/KL
Drng No.	: 05 - DD/23
Date	: 16.02.2023
Rew Date	:
Drawn By	: Balaji
CKD By	: Vinitha Mukund

NON GLAZED  
PARTITION & DOOR

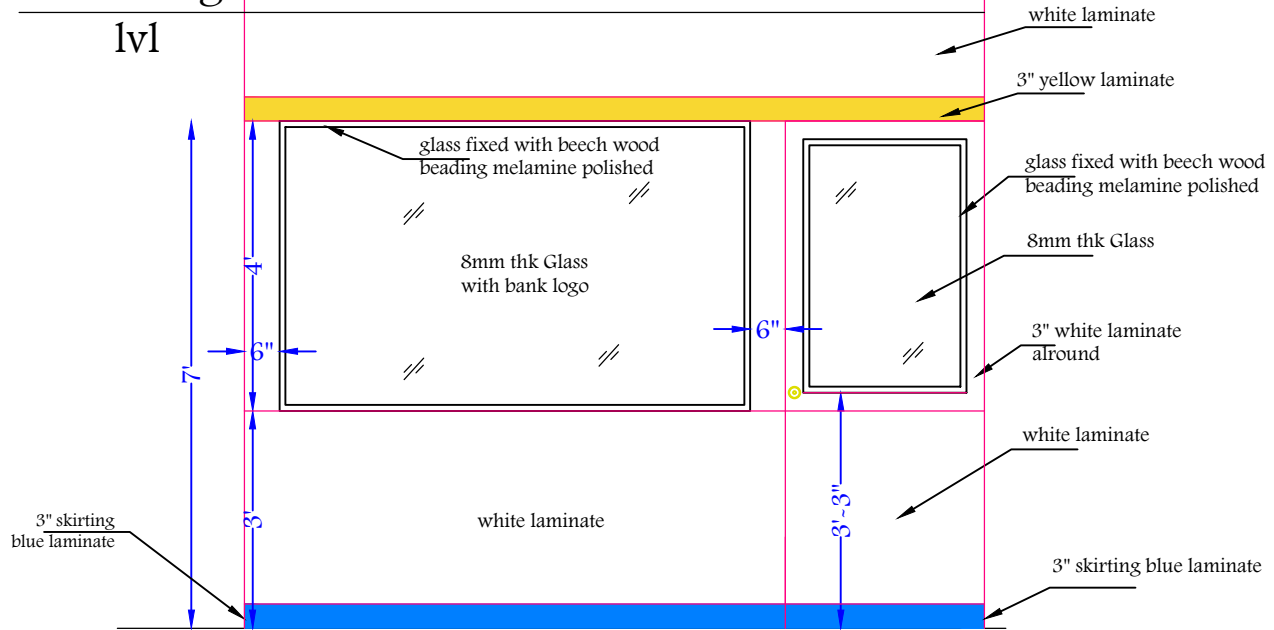
**CANARA BANK**  
**PERUMPILAVU BRANCH**

H3 - Ras Subiksha Mascot,  
Behind Deepam Hospital,  
Trichy Road,  
Ramanathapuram,  
Coimbatore - 641 045.  
0422 - 2313958.  
Email: architect.shrishti@gmail.com

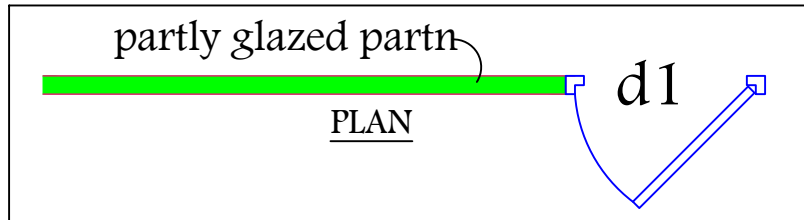


RCC roof

false ceiling  
lvl



**ELEVATION**



**PLAN**

DD - SHEET NO : 06 - PARTLY GLAZED PARTITION

Note : This drawing / design is the copyright/ property of the architects and is not to be reproduced, copied or handed over to a third party without the architects written consent.

Note : all levels and dimensions should be checked and if there is any change from details issued, the architects should be informed before the commencement of the work.

SRM signature:

NOTE : All dimensions are in inches & feet

Job No.	: CB/PPL/KL
Drg No.	: 06 - DD/23
Date	: 16.02.2023
Rew Date	:
Drawn By	: Balaji
CKD By	: Vinitha Mukund

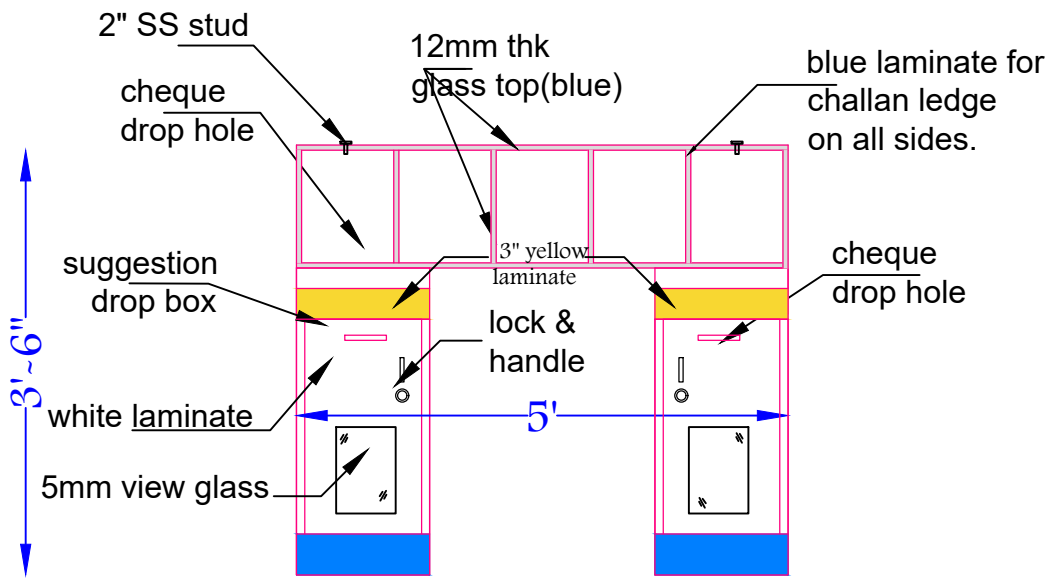
PARTLY GLAZED  
PARTITION & DOOR

**CANARA BANK**  
**PERUMPILAVU BRANCH**

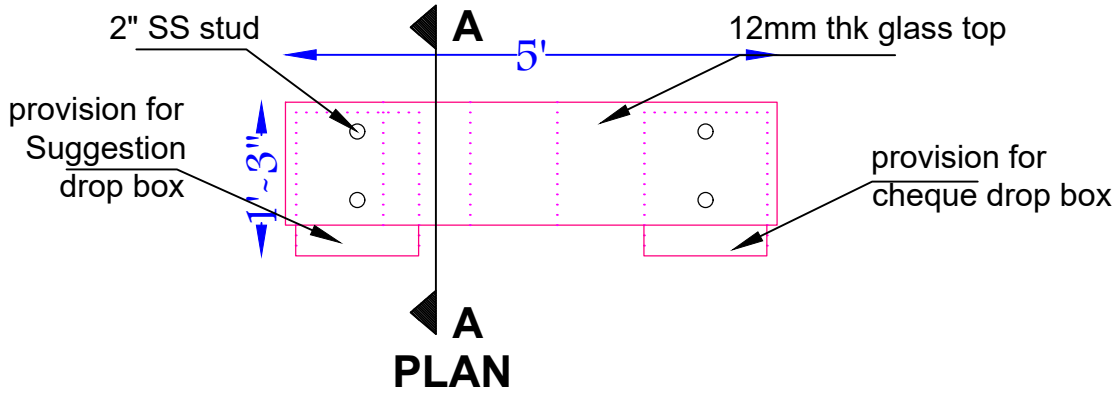


H3 - Ras Subiksha Mascot,  
Behind Deepam Hospital,  
Trichy Road,  
Ramanathapuram,  
Coimbatore - 641 045.  
0422 - 2313958.

Email: architect.shrishti@gmail.com



**FRONT ELEVATION**



**A PLAN**

DD - SHEET NO : 07 - WRITING DESK WITH CB & SB

Note : all levels and dimensions should be checked and if there is any change from details issued, the architects should be informed before the commencement of the work.  
 Note : This drawing / design is the copyright/ property of the architects and is not to be reproduced, copied or handed over to a third party without the architects written consent.

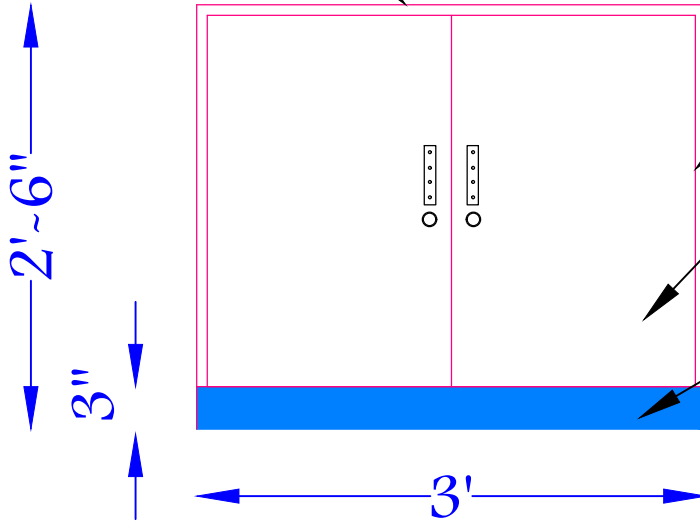
NOTE : All dimensions are in inches & feet	
Job No.	: CB/PPL/KL
Drg No.	: 07 - DD/23
Date	: 16.02.2023
Rew Date	:
Drawn By	: Balaji
CKD By	: Vinitha Mukund

WRITING DESK WITH  
 CHEQUE DROP BOX  
 & SUGGESTION BOX

**CANARA BANK**  
 PERUMPILAVU BRANCH

**SHRISHI**  
 H3 - Ras Subiksha Mascot,  
 Behind Deepam Hospital,  
 Trichy Road,  
 Ramanathapuram,  
 Coimbatore - 641 045.  
 0422 - 2313958.  
 Email: architect.shrishti@gmail.com

18mm plywood with  
1mm thk blue laminate  
finish on top

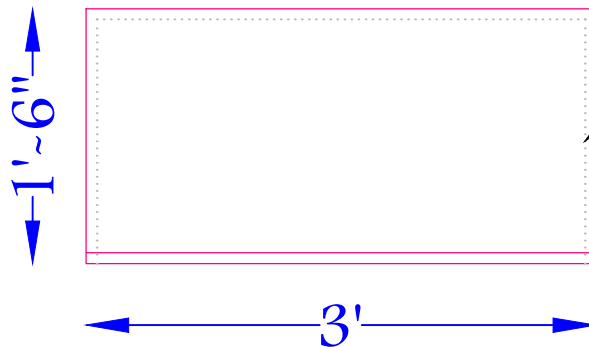


plywood with  
beading

storage unit with  
sliding door  
(white laminate)

3" skirting blue  
laminate

### ELEVATION



18mm plywood with  
inside painted

### PLAN

DD - SHEET NO : 08 - FILE CABINET

Note : all levels and dimensions should be checked and if there is any change from details issued, the architects should be informed before the commencement of the work.  
Note : This drawing / design is the copyright/ property of the architects and is not to be reproduced, copied or handed over to a third party without the architects written consent.

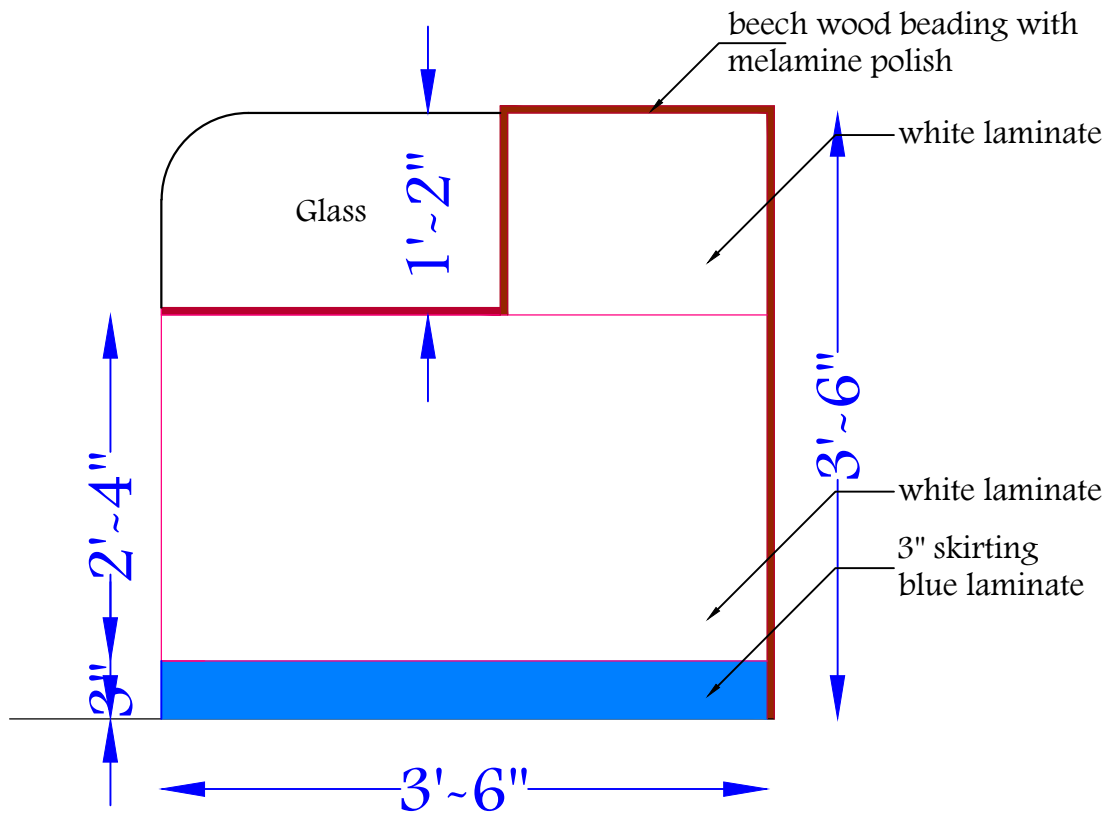
NOTE: All dimensions are in inches & feet  
Job No. : CB/PPL/KL  
Drg No. : 08 - DD/23  
Date : 16.02.2023  
Rev Date :  
Drawn By : Balaji  
CKD By : Vinitha Mukund

FILE CABINET  
DETAIL

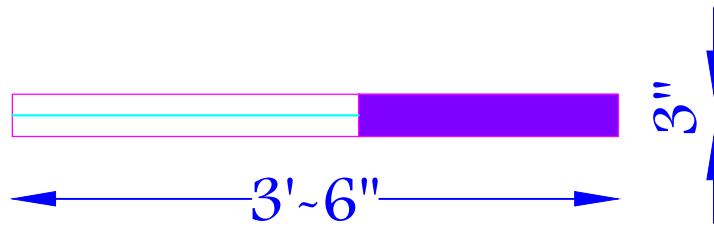
**CANARA BANK**  
PERUMPILAVU BRANCH

**SHRISHI** H3 - Ras Subiksha Mascot,  
Behind Deepam Hospital,  
Trichy Road,  
Ramanathapuram,  
Coimbatore - 641 045.  
0422 - 2313958.  
Email: architect.shrishti@gmail.com





## ELEVATION



## PLAN

DD - SHEET NO : 09 - SEMI GLAZED PARTITION DETAIL

Note : all levels and dimensions should be checked and if there is any change from details issued, the architects should be informed before the commencement of the work.  
 Note : This drawing / design is the copyright/ property of the architects and is not to be reproduced, copied or handed over to a third party without the architects written consent.

NOTE : All dimensions are in inches & feet	
Job No.	: CB/PPL/KL
Drng No.	: 09 - DD/23
Date	: 16.02.2023
Rew Date	:
Drawn By	: Balaji
CKD By	: Vinitha Mukund

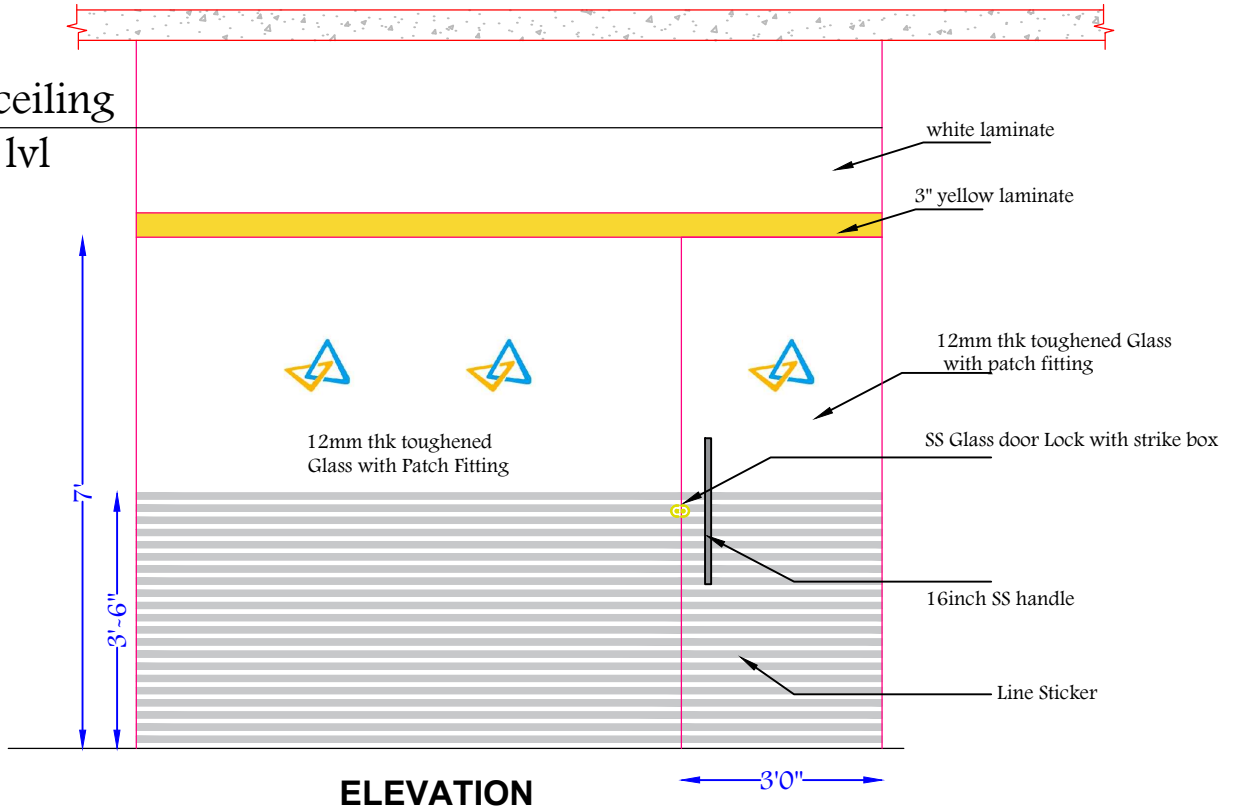
DIVIDER  
PARTITION

**CANARA BANK**  
**PERUMPILAVU BRANCH**

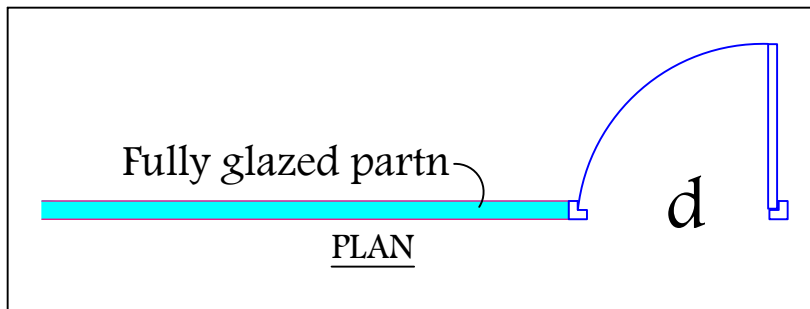
**SHRISHI**  
 H3 - Ras Subiksha Mascot,  
 Behind Deepam Hospital,  
 Trichy Road,  
 Ramanathapuram,  
 Coimbatore - 641 045.  
 0422 - 2313958.  
 Email: architect.shrishti@gmail.com

RCC roof

false ceiling  
lvl



**ELEVATION**



**PLAN**

DD - SHEET NO : 10 - FULLY GLAZED PARTITION

Note : This drawing / design is the copyright/ property of the architects and is not to be reproduced, copied or handed over to a third party without the architects written consent.

Note : all levels and dimensions should be checked and if there is any change from details issued, the architects should be informed before the commencement of the work.

SRM signature:

NOTE : All dimensions are in inches & feet

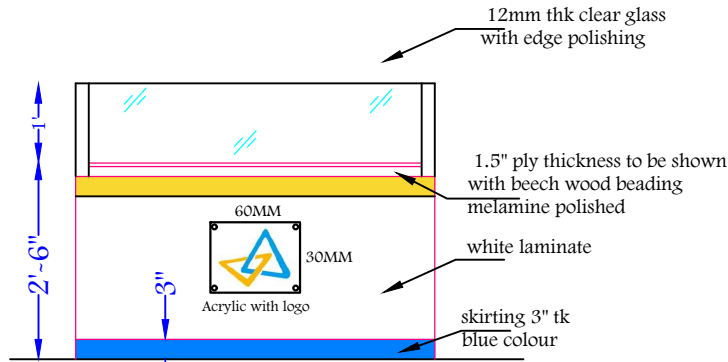
Job No. : CB/PPL/KL  
 Drg No. : 10 - DD/23  
 Date : 16.02.2023  
 Rew Date :  
 Drawn By : Balaji  
 CKD By : Vinitha Mukund

FULLY GLAZED  
PARTITION & DOOR

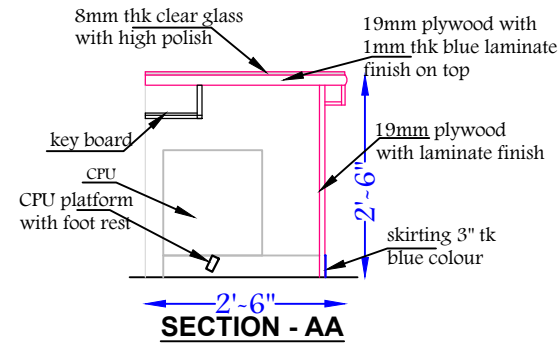
**CANARA BANK**

**PERUMPILAVU BRANCH**

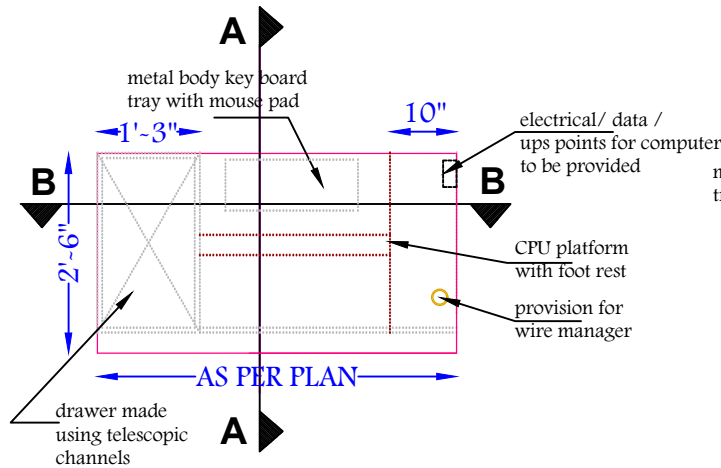
**SHRISHI**  
 H3 - Ras Subiksha Mascot,  
 Behind Deepam Hospital,  
 Trichy Road,  
 Ramanathapuram,  
 Coimbatore - 641 045.  
 0422 - 2313958.  
 Email: architect.shrishi@gmail.com



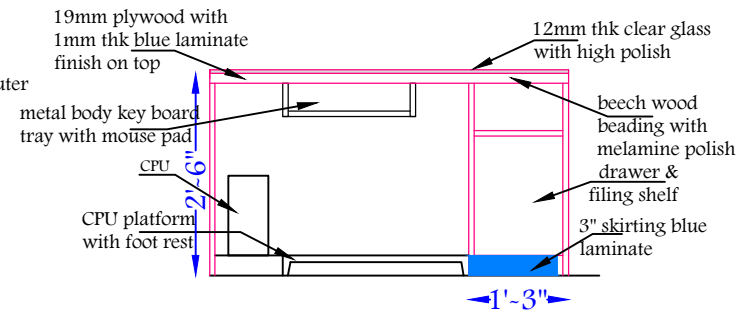
**FRONT ELEVATION**



**SECTION - AA**



**PLAN**



**SECTION - BB**

DD - SHEET NO : 11 - APPRAISER & SUPERVISOR TABLE WITH FRONT GLASS

Note : all levels and dimensions should be checked and if there is any change from details issued, the architects should be informed before the commencement of the work.  
 Note : This drawing / design is the copyright/ property of the architects and is not to be reproduced, copied or handed over to a third party without the architects written consent.

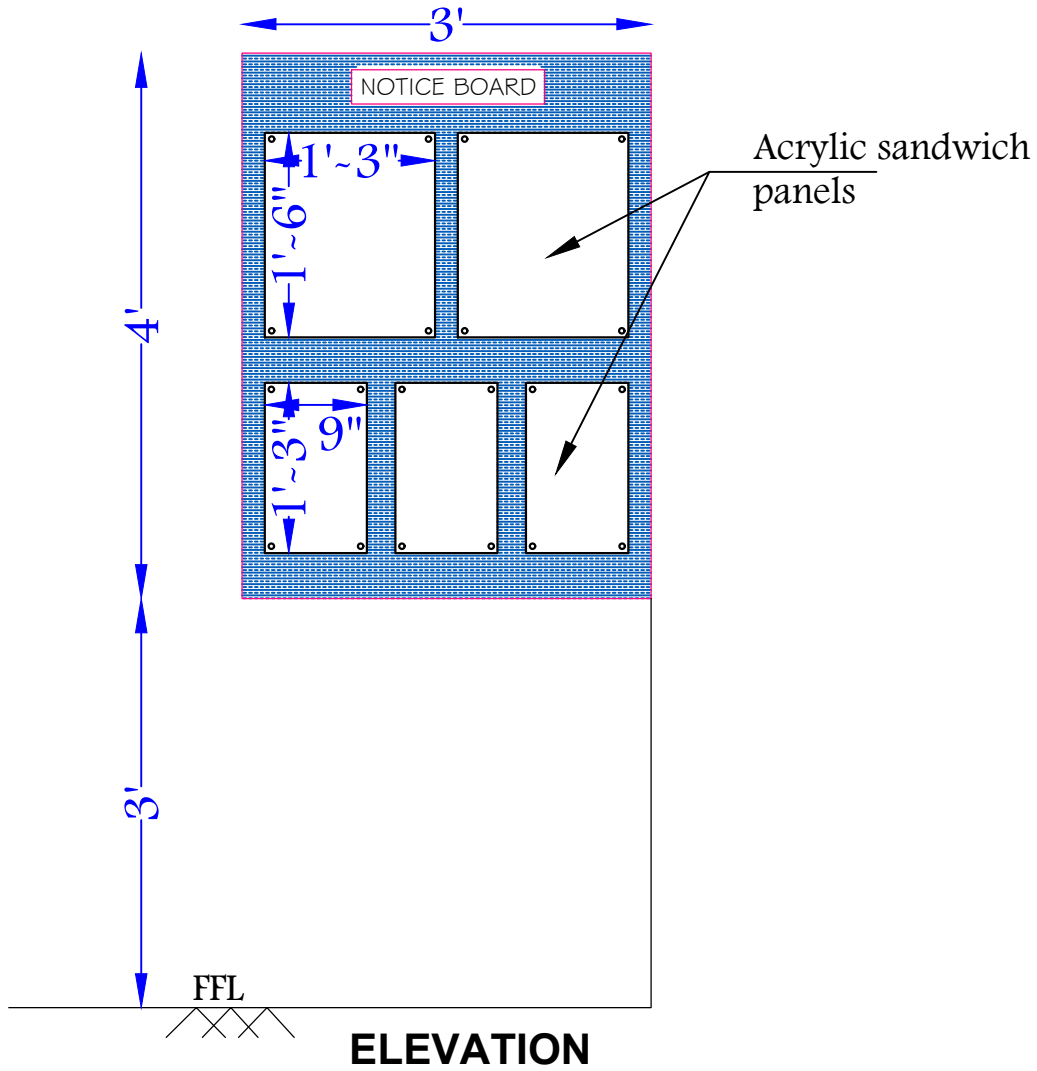
NOTE : All dimensions are in inches & feet	
Job No.	: CB/PPL/KL
Drg No.	: 11 - DD/23
Date	: 16.02.2023
Rew Date	:
Drawn By	: Balaji
CKD By	: Vinitha Mukund

APPRAISER & SUPERVISOR  
TABLE  
WITH FRONT GLASS

**CANARA BANK**  
PERUMPILAVU BRANCH



H3 - Ras Subiksha Mascot,  
Behind Deepam Hospital,  
Trichy Road,  
Ramanathapuram,  
Coimbatore - 641 045.  
0422 - 2313958.  
Email: architect.shrishti@gmail.com



DD - SHEET NO : 12 - NOTICE BOARD

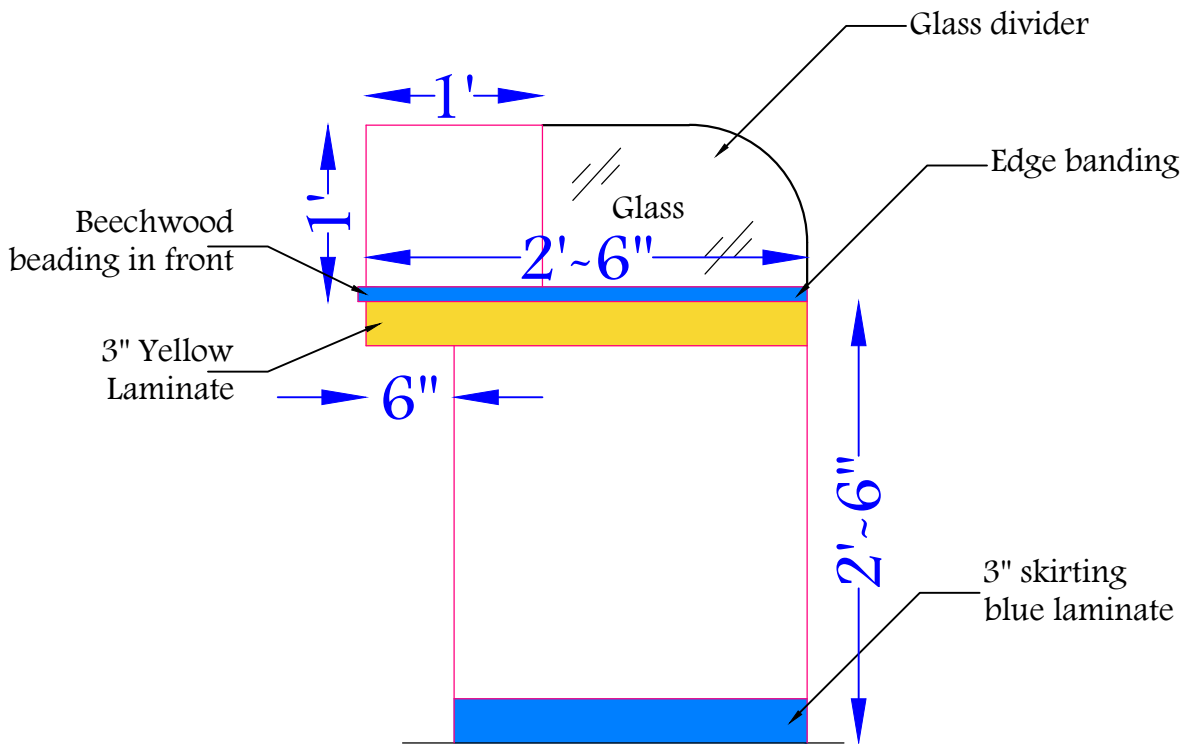
Note : all levels and dimensions should be checked and if there is any change from details issued, the architects should be informed before the commencement of the work.  
 Note : This drawing / design is the copyright/ property of the architects and is not to be reproduced, copied or handed over to a third party without the architects written consent.

NOTE : All dimensions are in inches & feet	
Job No.	: CB/PPL/KL
Drg No.	: 12 - DD/23
Date	: 16.02.2023
Rev Date	:
Drawn By	: Umadevi
CKD By	: Vinitha Mukund

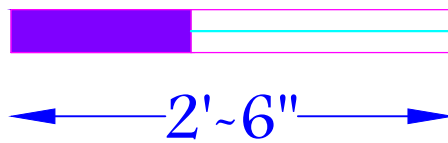
NOTICE  
BOARD

**CANARA BANK**  
PERUMPILAVU BRANCH

**SHRISHI** H3 - Ras Subiksha Mascot,  
Behind Deepam Hospital,  
Trichy Road,  
Ramanathapuram,  
Coimbatore - 641 045.  
0422 - 2313958.  
Email: architect.shrishti@gmail.com



## ELEVATION



## PLAN

DD - SHEET NO : 13 - FRONT COUNTER DIVIDER GLASS

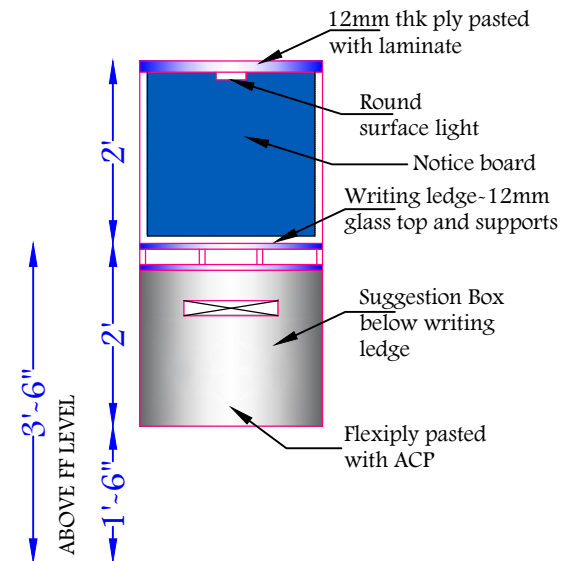
Note : all levels and dimensions should be checked and if there is any change from details issued, the architects should be informed before the commencement of the work.  
 Note : This drawing / design is the copyright / property of the architects and is not to be reproduced, copied or handed over to a third party without the architects written consent.

NOTE: All dimensions are in inches & feet	
Job No.	: CB/PPL/KL
Drg No.	: 13 - DD/23
Date	: 16.02.2023
Rew Date	:
Drawn By	: Balaji
CKD By	: Vinitha Mukund

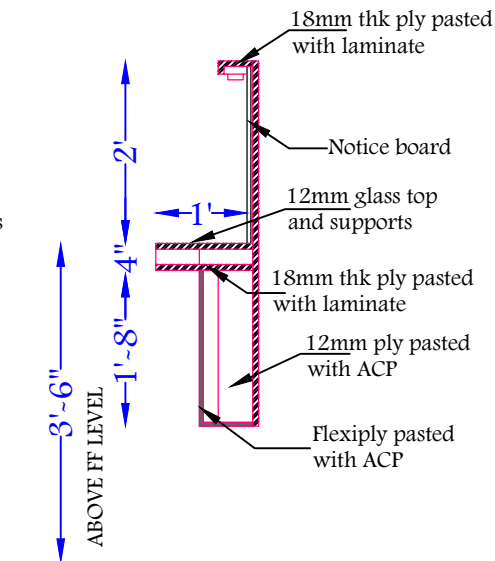
**DIVIDER  
GLASS**

**CANARA BANK**  
**PERUMPILAVU BRANCH**

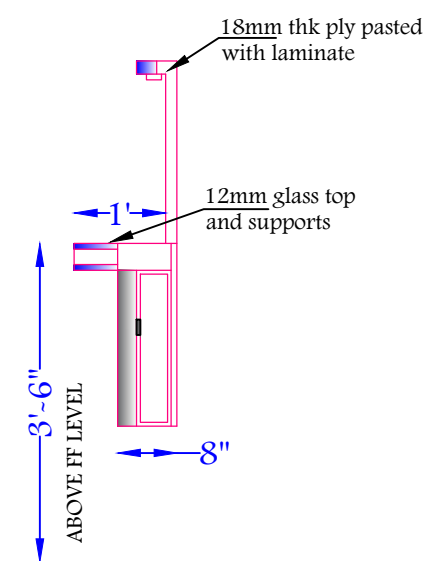
H3 - Ras Subiksha Mascot,  
 Behind Deepam Hospital,  
 Trichy Road,  
 Ramanathapuram,  
 Coimbatore - 641 045.  
 0422 - 2313958.  
 Email: architect.shrishti@gmail.com



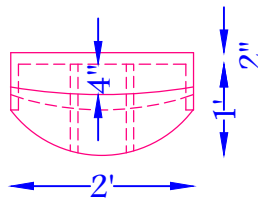
**ELEVATION**



**SECTION**



**SIDE ELEVATION**



**PLAN**

DD - SHEET NO : 14 - VISUAL MERCHANDISING UNIT

Note : all levels and dimensions should be checked and if there is any change from details issued, the architects should be informed before the commencement of the work.  
 Note : This drawing / design is the copyright/ property of the architects and is not to be reproduced, copied or handed over to a third party without the architects written consent.

NOTE : All dimensions are in inches & feet	
Job No.	: CB/PPL/KL
Drg No.	: 14 - DD/23
Date	: 16.02.2023
Rew Date	:
Drawn By	: Umadevi
CKD By	: Vinitha Mukund

VISUAL  
MERCHANDISING  
UNIT

**CANARA BANK**  
**PERUMPILAVU BRANCH**

**SHRISHI**  
ARCHITECTS & INTERIOR DESIGNERS  
H3 - Ras Subiksha Mascot,  
Behind Deepam Hospital,  
Trichy Road,  
Ramanathapuram,  
Coimbatore - 641 045.  
0422 - 2313958.  
Email: architect.shrishti@gmail.com