

**LEGEND**

- CUPBOARD 75 CM HEIGHT
- CUPBOARD 210 CM HEIGHT
- FULL GLAZED PARTITIONS
- DOUBLE SKIN SOLID GLAZED PARTITIONS
- SOLID PARTITIONS
- SEMI PARTITIONS (210 cm ht. Half glazed)
- SEMI PARTITIONS (120 cm ht. Half glazed)
- FIRE RATED CEMENT PARTITION

AREA STATEMENT		
SPACE	AREA (IN SQ.M)	AREA (IN SQ.FT)
BANKING AREA	61.11	657.54
CUSTOMER AREA	46.76	503.14
STRONG ROOM AREA	17.30	186.15
ATM AREA	7.42	79.84
DINING ROOM AREA	5.46	58.75
RECORD ROOM AREA	10.24	110.18
UPS ROOM AREA	6.58	70.80
<b>TOTAL AREA</b>	<b>154.87</b>	<b>1666.40</b>
TOILET AREA	8.10	87.16
<b>GRAND TOTAL AREA</b>	<b>162.97</b>	<b>1753.56</b>

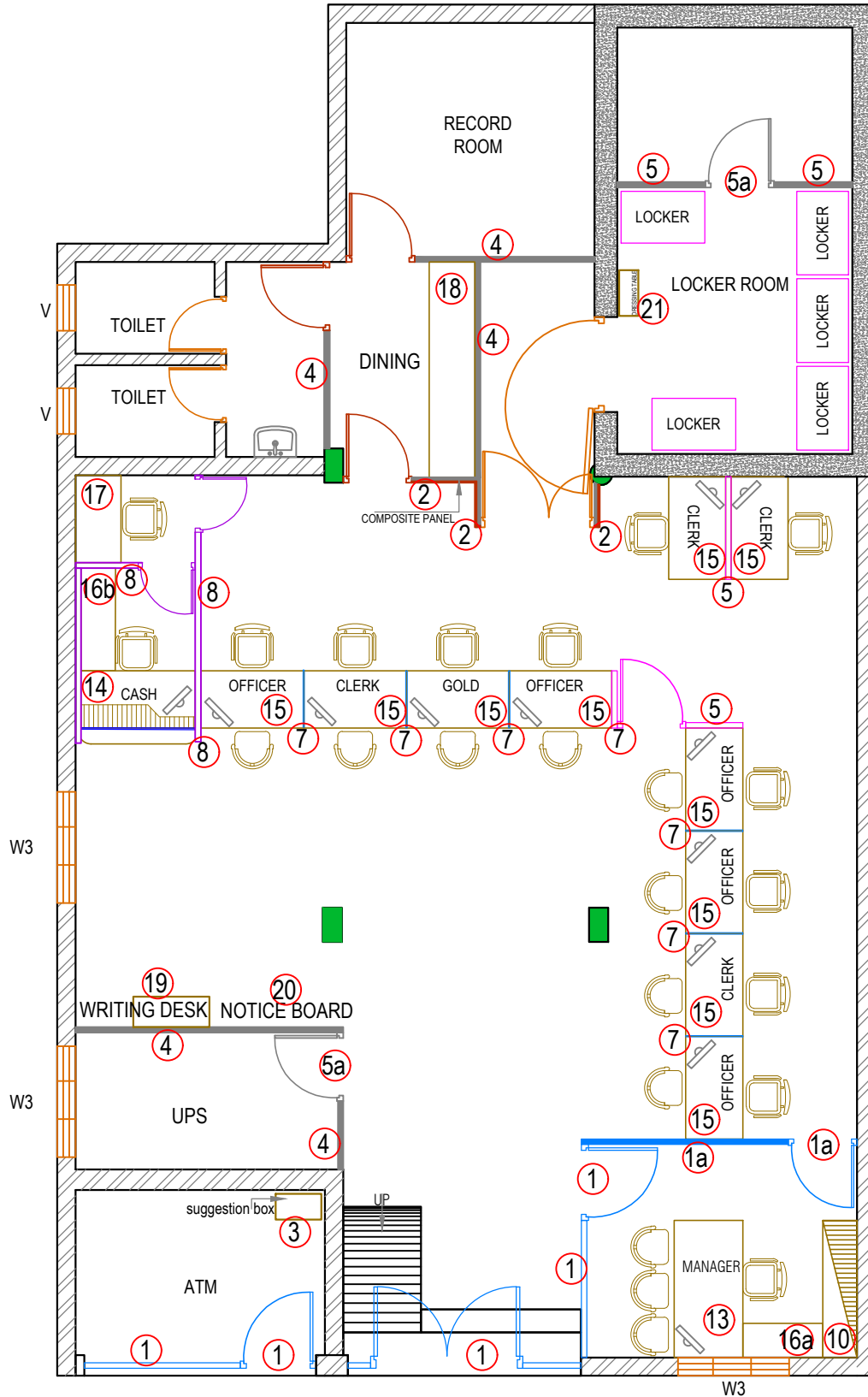
**ENARC CONSULTANTS**  
**ARCHITECTS AND ENGINEERS**  
 M. G. Road, Thrissur - 1.  
 Tel. : +91 (487) 2441901  
 E-mail : office@enarc.net.in

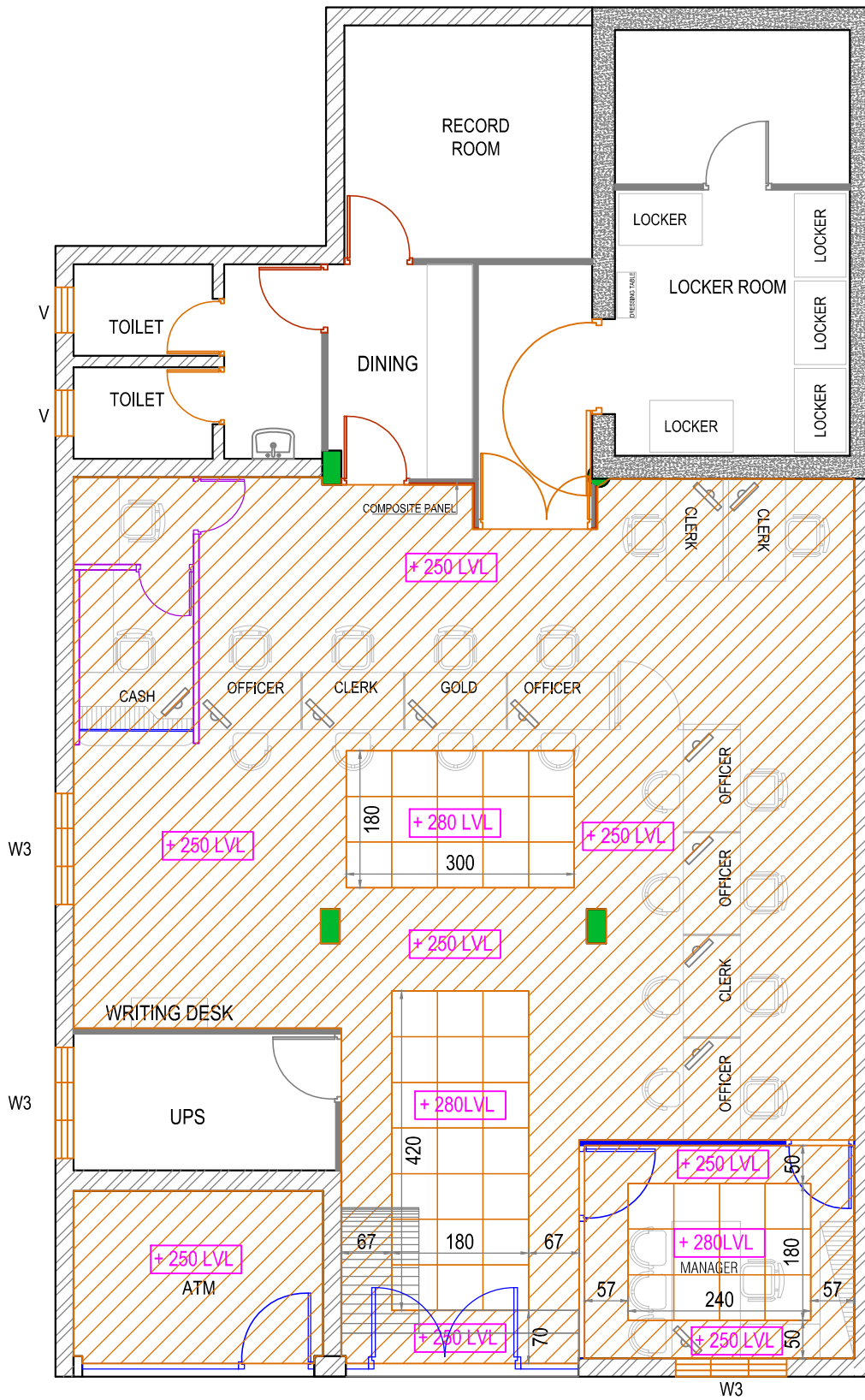
**PROPOSED INTERIOR FURNISHING**  
**FOR BANKS CANARA BANK**  
**PATHANAMTHITTA BRANCH**  
**INTERIOR LAYOUT**

Drawn By GINISH K G  
 Architect  
 Ar.PRAVEEN.P  
 B. Arch.[Reg], A.I.I.A, A.I.I.I.D

Chief Architect  
 Ar. K. RAMAKRISHNAN  
 B.Sc.(Engg), F.I.E. C. Eng (I),  
 F.I.V, F.I.I.A. (Regd), A.I.I.I.D

Date : 12 -09 -2023  
 Revision Date: 18 -09 -2023  
 22 -09 -2023  
 24 -09 -2023  
 Sheet No : 01  
 Scale : N T S  
 All Dimensions are in CMs.





**ENARC CONSULTANTS**  
**ARCHITECTS AND ENGINEERS**  
 M. G. Road, Thrissur - 1.  
 Tel. : +91 (487) 2441901  
 E-mail : office@enarc.net.in

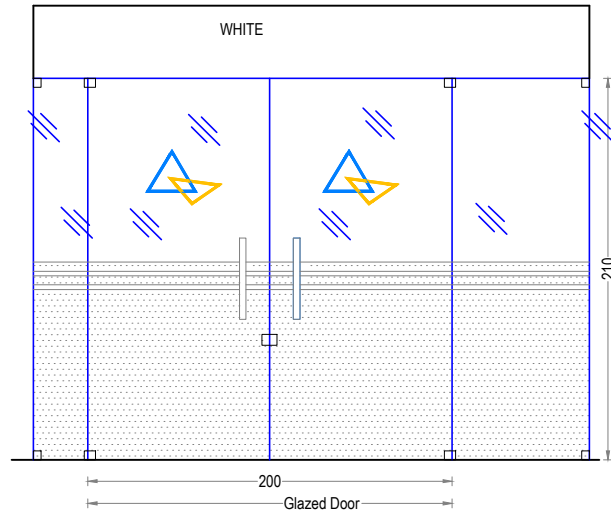
**PROPOSED INTERIOR FURNISHING  
 FOR BANKS CANARA BANK  
 PATHANAMTHITTA BRANCH**

**CEILING LAYOUT**

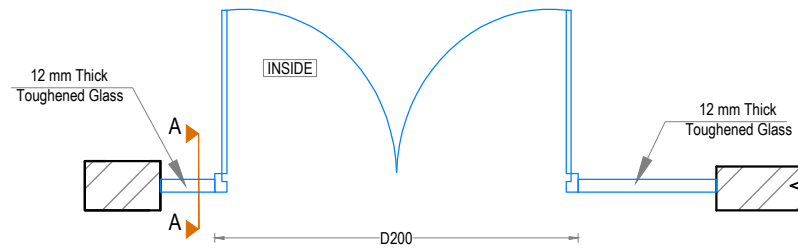
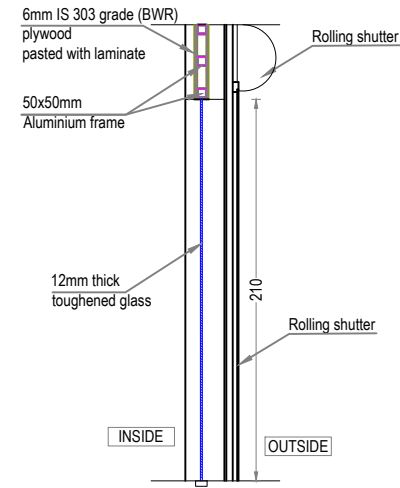
Drawn By GINISH K G  
 Architect  
 Ar.PRAVEEN.P  
 B. Arch.[Reg], A.I.I.A, A.I.I.I.D

Chief Architect  
 Ar. K. RAMAKRISHNAN  
 B.Sc.(Engg), F.I.E, C. Eng (I),  
 F.I.V, F.I.I.A. (Regd), A.I.I.I.D

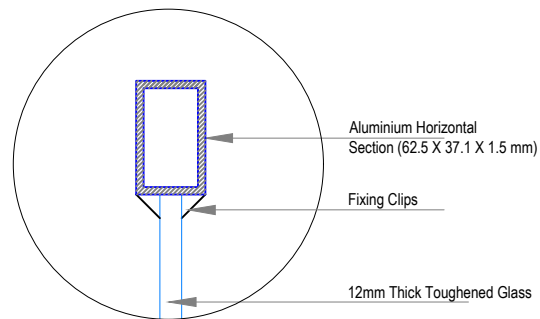
Date : 17-11-2023  
 Revision Date:  
 Sheet No : 03  
 Scale : N T S  
 All Dimensions are in CMs.



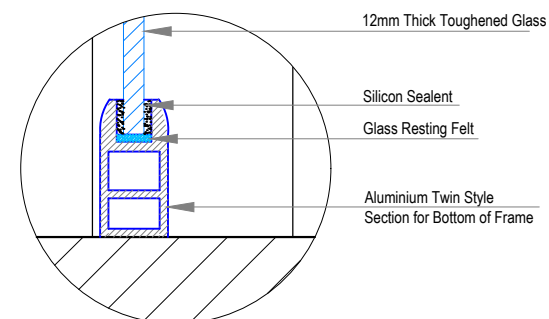
FRONT ELEVATION



ENTRANCE DOOR PLAN



DETAIL OF TOP ALUMINIUM FRAME



DETAIL OF BOTTOM ALUMINIUM FRAME

**PROPOSED INTERIOR FURNISHING  
FOR BANKS CANARA BANK  
PATHANAMTHITTA BRANCH**

DETAILS OF :	ITEM NO.
FRONT SIDE GLAZING PARTITION WITH DOOR (DOUBLE SHUTTER)	1

Drawn By: GINISH K G

Architect: Ar.PRAVEEN.P  
B. Arch.[Reg], A.I.I.A, A.I.I.I.D

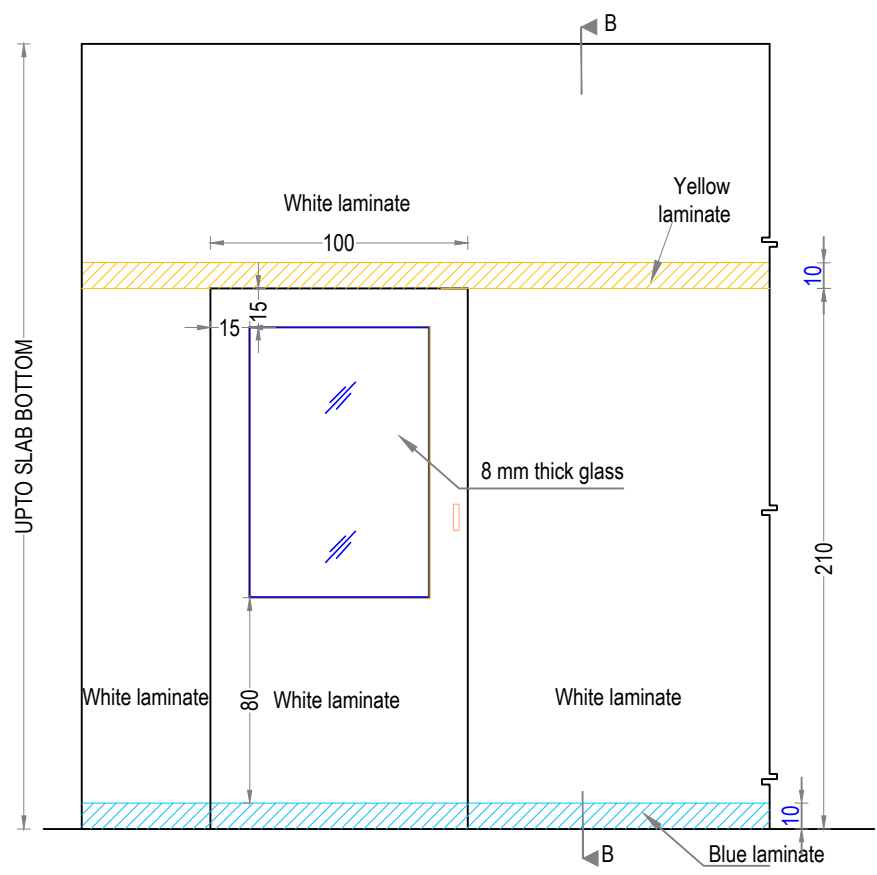
Chief Architect: Ar. K. RAMAKRISHNAN  
B.Sc.(Engg), F.I.E, C. Eng (I),  
F.I.V, F.I.I.A. (Regd), A.I.I.I.D

Date: 17-11-2023 Drawing No.

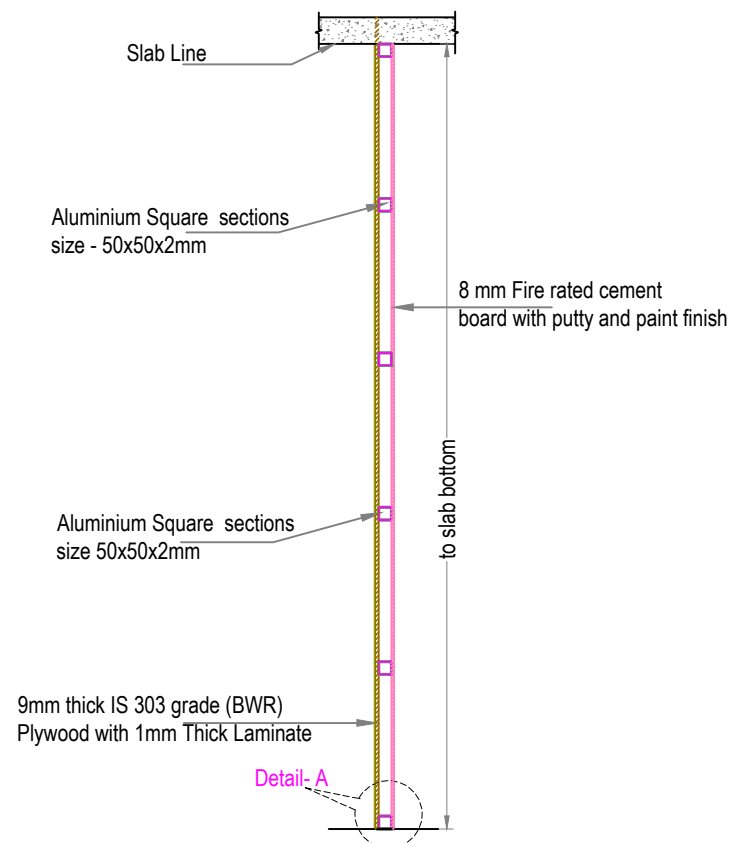
Revision Date: Sheet No: 04

Scale: NTS

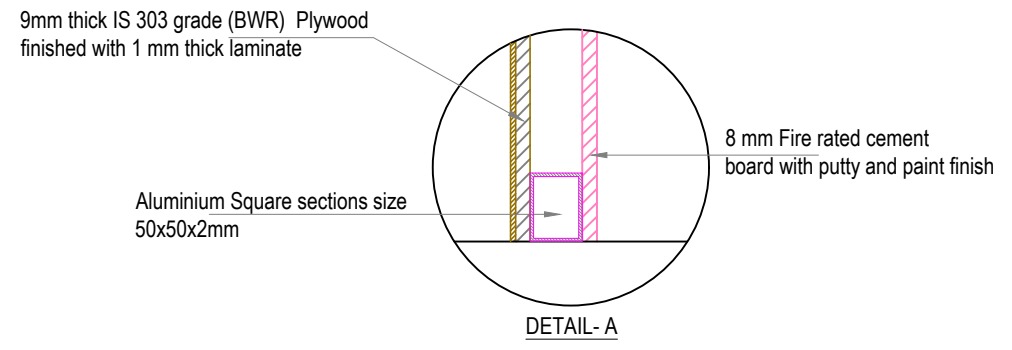
All Dimensions are in CMs.



**ELEVATION**



**SECTION B-B**



**DETAIL- A**

**PROPOSED INTERIOR FURNISHING  
FOR BANKS CANARA BANK  
PATHANAMTHITTA BRANCH**

DETAILS OF :	ITEM NOS.
1. COMPOSITE PANEL	2

Drawn By: GINISH.K.G

Architect: Ar.PRAVEEN.P  
B. Arch.[Reg], A.I.I.A, A.I.I.I.D

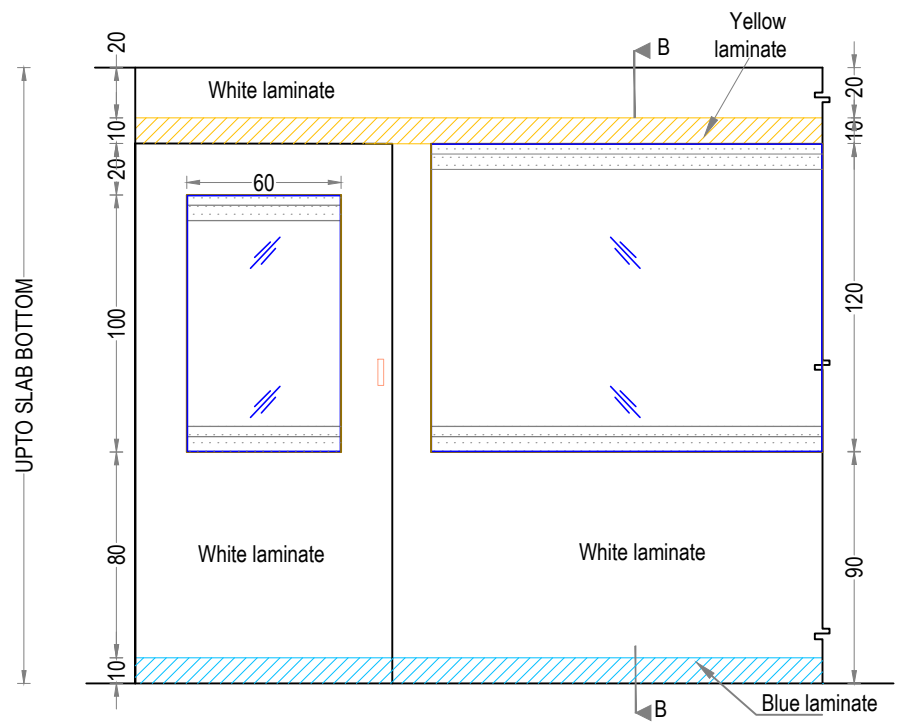
Chief Architect: Ar. K. RAMAKRISHNAN  
B.Sc.(Engg), F.I.E, C. Eng (I),  
F.I.V, F.I.I.A. (Regd), A.I.I.I.D

Date: 17-11-2023 Drawing No.

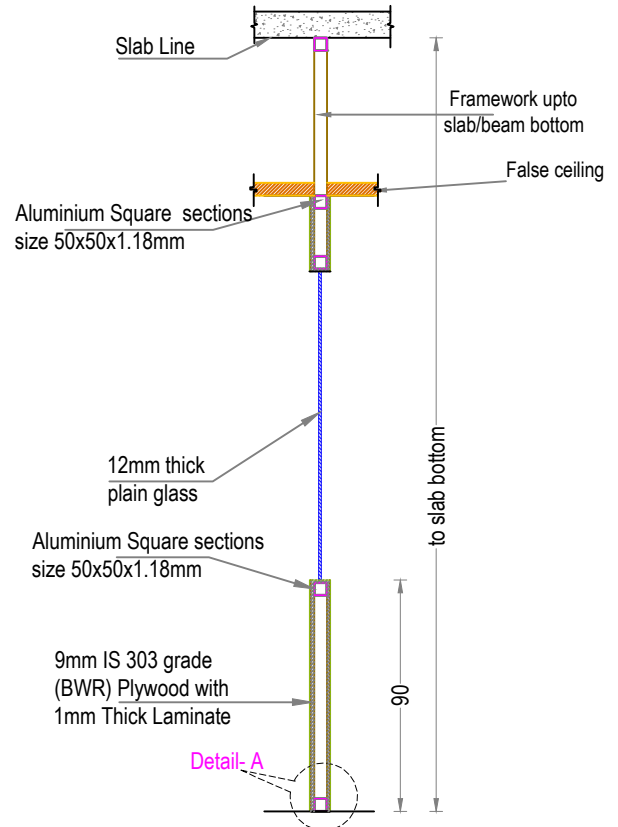
Revision Date: Sheet No: 05

Scale: NTS

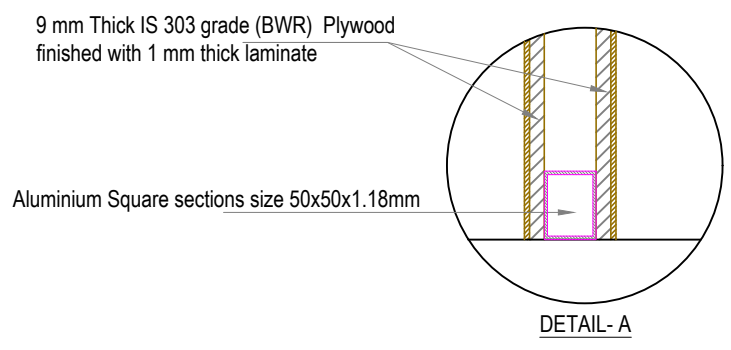
All Dimensions are in CMs.



**ELEVATION**



**SECTION B-B**



**DETAIL- A**

**PROPOSED INTERIOR FURNISHING  
FOR BANKS CANARA BANK  
PATHANAMTHITTA BRANCH**

DETAILS OF : DOUBLE SKIN SEMI GLAZED PARTITION	ITEM NOS. 1a
--	-----------------

Drawn By: GINISH K G

Architect: Ar.PRAVEEN.P  
B. Arch,[Reg], A.I.I.A, A.I.I.I.D

Chief Architect: Ar. K. RAMAKRISHNAN  
B.Sc.(Engg), F.I.E, C. Eng (I),  
F.I.V, F.I.I.A. (Regd), A.I.I.I.D

Date: 17-11-2023 Drawing No.

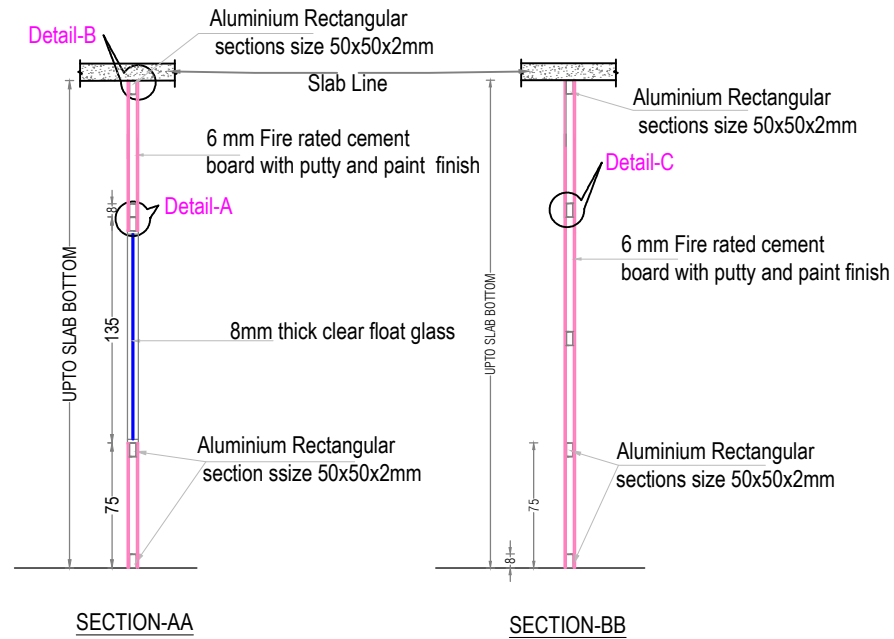
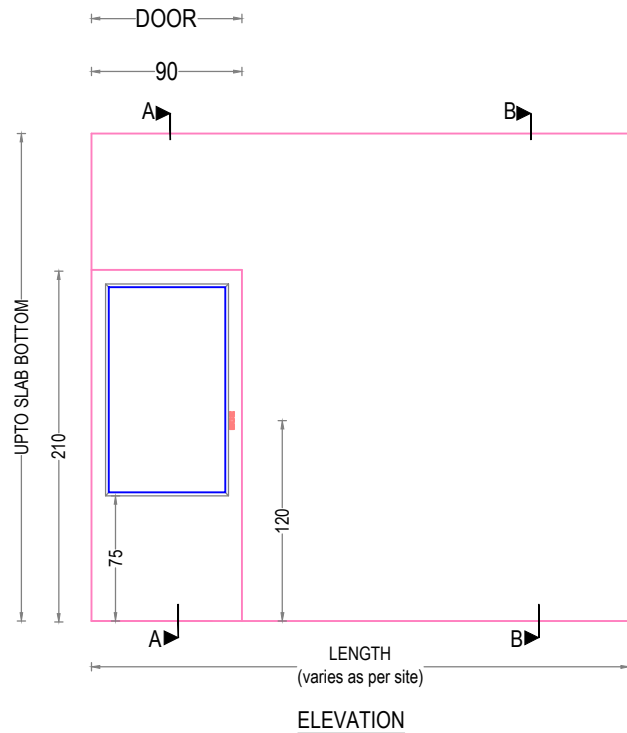
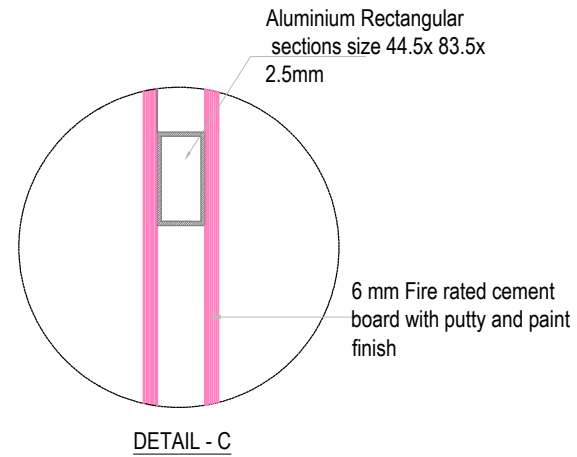
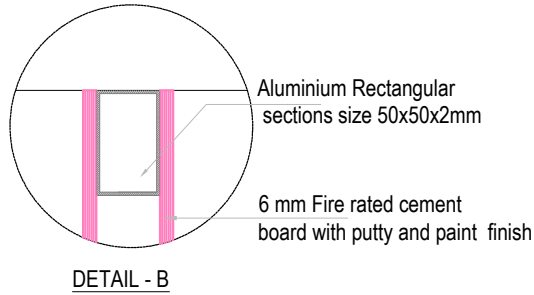
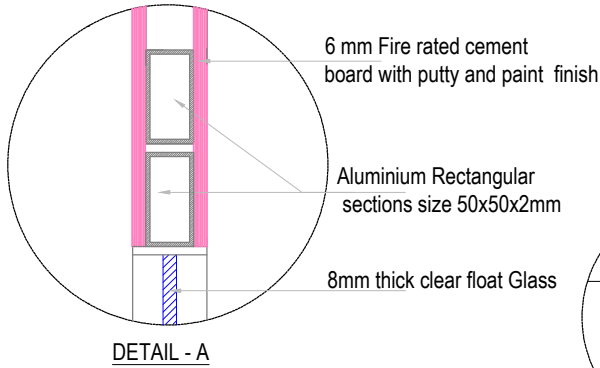
Revision Date: Sheet No: 06

Scale: NTS

All Dimensions are in CMs.



**ENARC CONSULTANTS**  
**ARCHITECTS & ENGINEERS**  
 M. G. Road, Thrissur - 1.  
 Tel. : (+91 487) 2441901  
 Fax : (+91 487) 2442011  
 E-mail : office@enarc.net.in

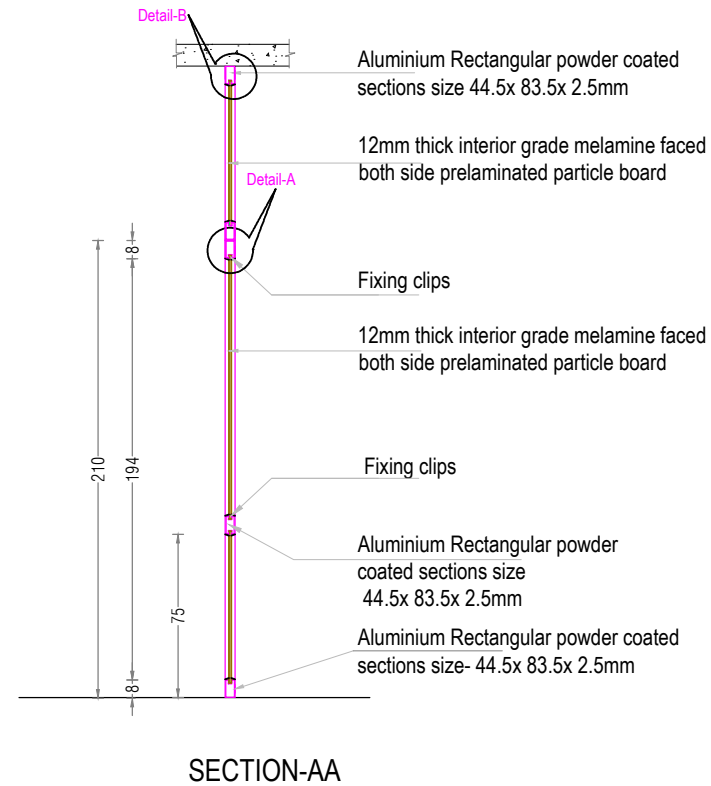
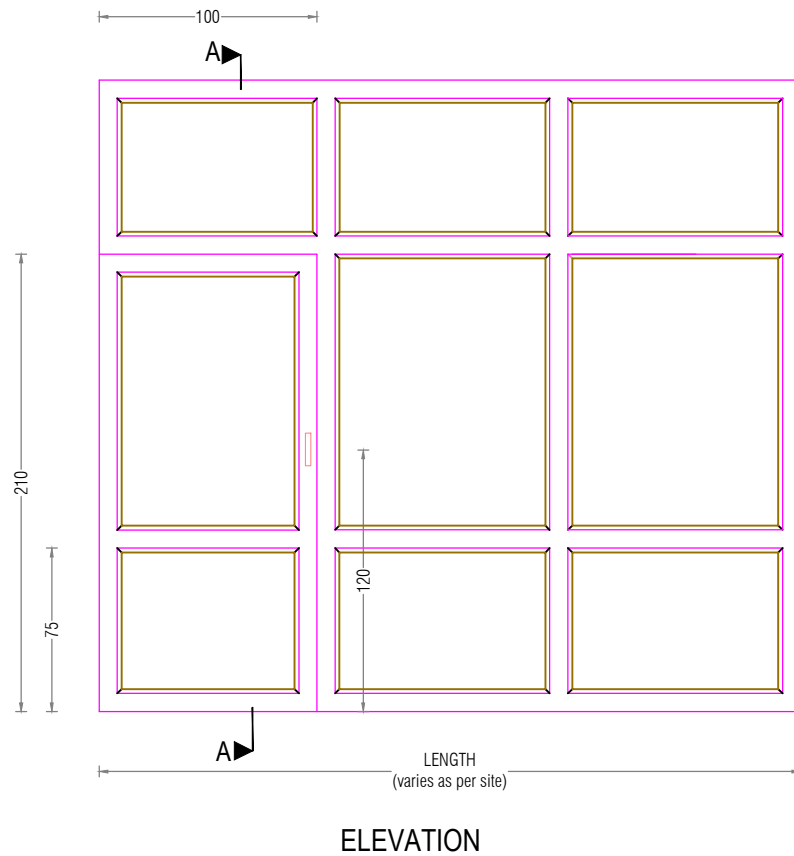
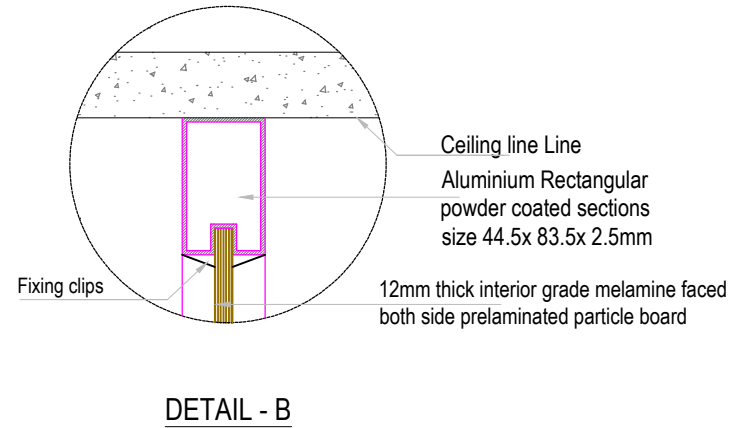
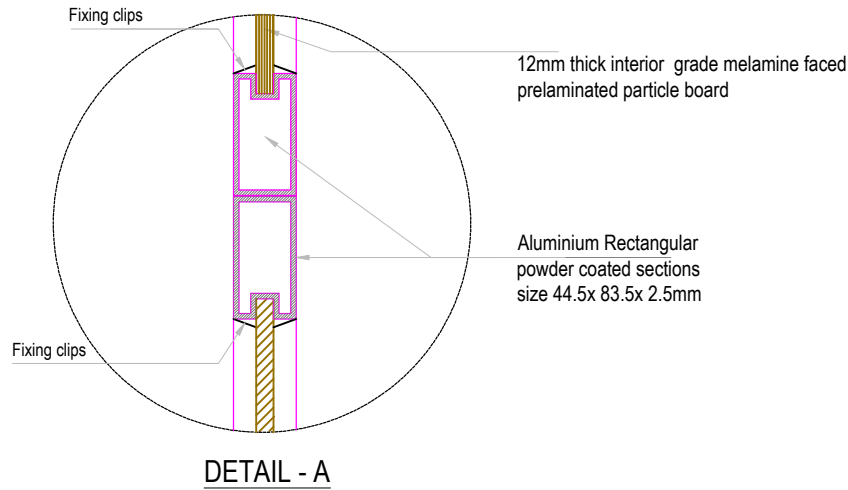


**PROPOSED INTERIOR FURNISHING  
 FOR BANKS CANARA BANK  
 PATHANAMTHITTA BRANCH**

DETAILS OF :		ITEM Nos.
1.FIRE RATED CEMENT PARTITION		4
Drawn by	GINISH.K.G	
Architect	Ar.PRAVEEN.P B. Arch.[Reg], A.I.I.A, A.I.I.I.D	
Chief Architect	Ar. K. RAMAKRISHNAN B.Sc.(Engg), M.I.E, C. Eng (I), F.I.V, F.I.I.A. (Regd), A.I.I.I.D	
Date: 17-11-2023	Drawing No.	
Revision Date:	Sheet No. 07	
	Scale	NTS
	All Dimensions are in CMs.	



**ENARC CONSULTANTS**  
**ARCHITECTS & ENGINEERS**  
 M. G. Road, Thrissur - 1.  
 Tel. : (+91 487) 2441901  
 Fax : (+91 487) 2442011  
 E-mail : office@enarc.net.in



**PROPOSED INTERIOR FURNISHING  
 FOR BANKS CANARA BANK  
 PATHANAMTHITTA BRANCH**

DETAILS OF :	ITEM Nos.
1. ALUMINIUM DOOR	5a
2. ALUMINIUM PARTITION	5

Drawn by	GINISH.K.G
----------	------------

Architect	Ar.PRAVEEN.P B. Arch.[Reg], A.I.I.A, A.I.I.I.D
-----------	---

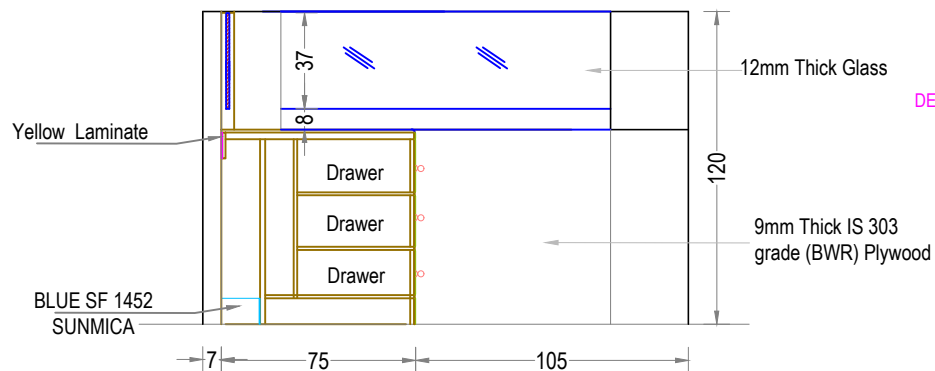
Chief Architect	Ar. K. RAMAKRISHNAN B.Sc.(Engg), M.I.E, C. Eng (I), F.I.V, F.I.I.A. (Regd), A.I.I.I.D
-----------------	---

Date: 17-11-2023	Drawing No.
------------------	-------------

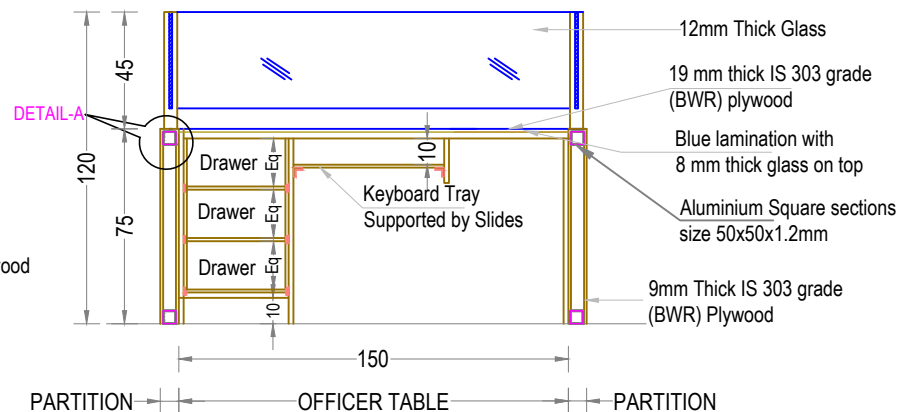
Revision Date:	Sheet No. 08
----------------	--------------

Scale	NTS
All Dimensions are in CMs.	

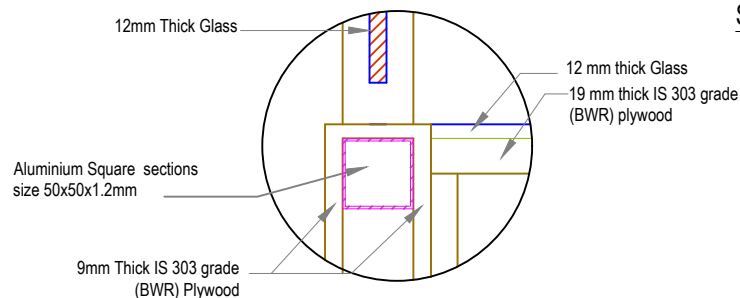




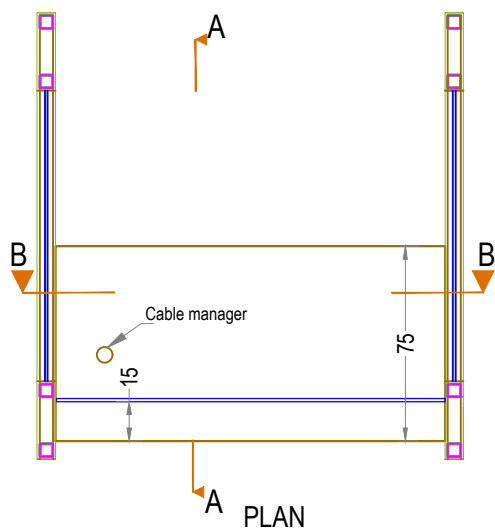
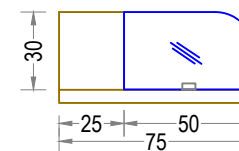
**SECTION A-A**



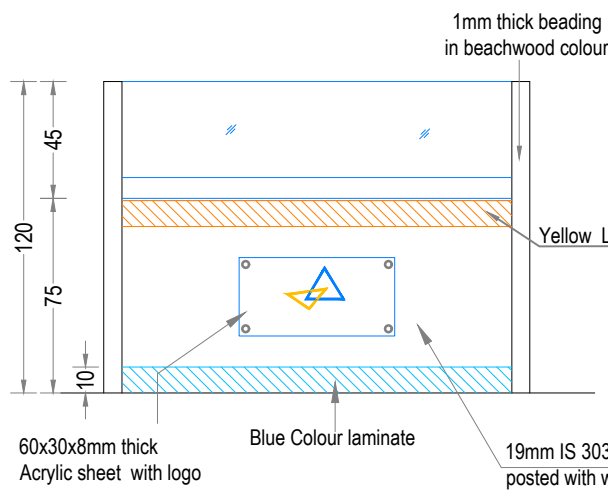
**SECTION B-B**



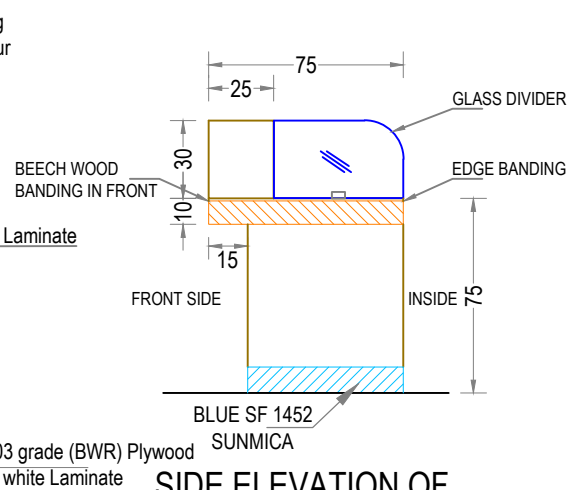
**DETAIL -A**



**PLAN**



**FRONT ELEVATION**



**SIDE ELEVATION OF COUNTER**

**PROPOSED INTERIOR FURNISHING  
FOR BANKS CANARA BANK  
PATHANAMTHITTA BRANCH**

DETAILS OF :	ITEM NO.
1. SEMI PARTITION 120CM HEIGHT	6

Drawn by: GINISH K G

Architect: Ar.PRAVEEN.P  
B. Arch.[Reg], A.I.I.A, A.I.I.I.D

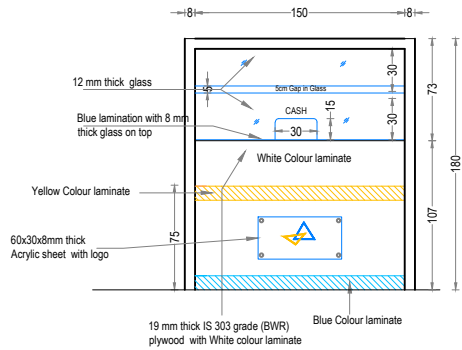
Chief Architect: Ar. K. RAMAKRISHNAN  
B.Sc.(Engg), F.I.E, C. Eng (I),  
F.I.V.,I.I.I.D, F.I.I.A. (Regd),

Date: 17-11-2023 Drawing No.

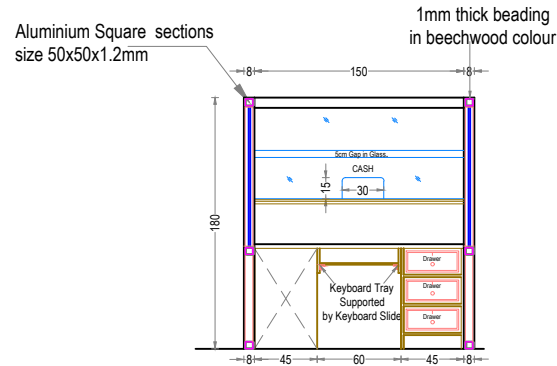
Revision Date: Sheet No: 09

Scale: NTS

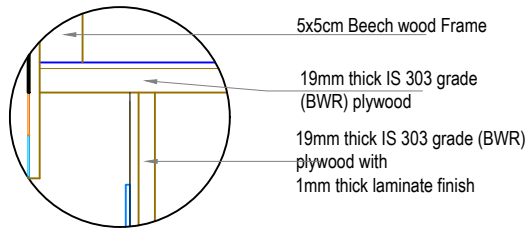
All Dimensions are in CMS.



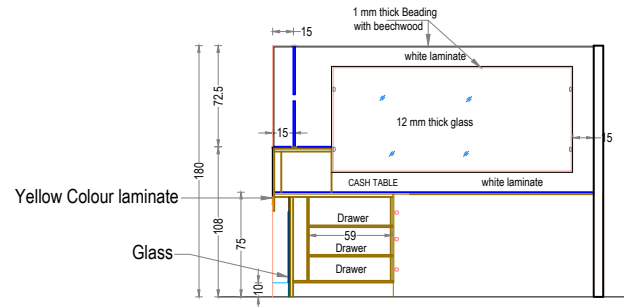
**FRONT ELEVATION**



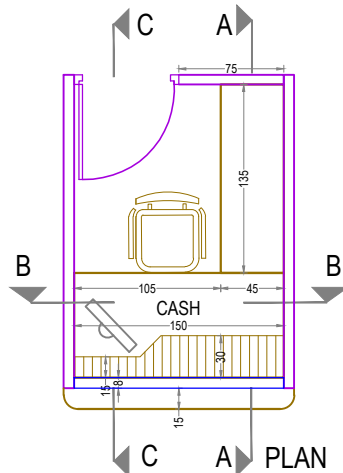
**SECTION BB**



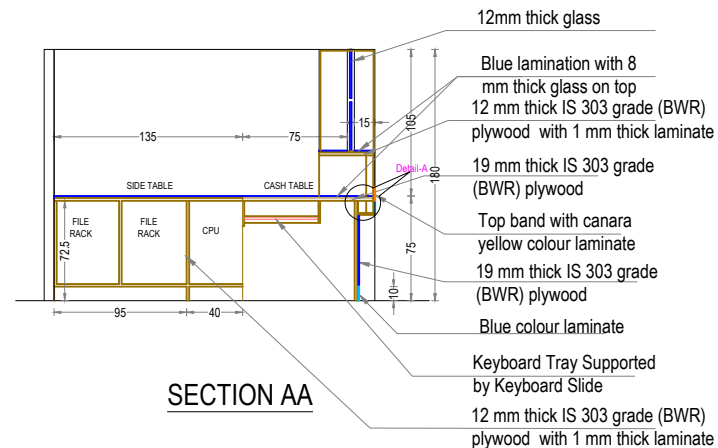
**DETAIL A**



**SECTION CC**



**PLAN**

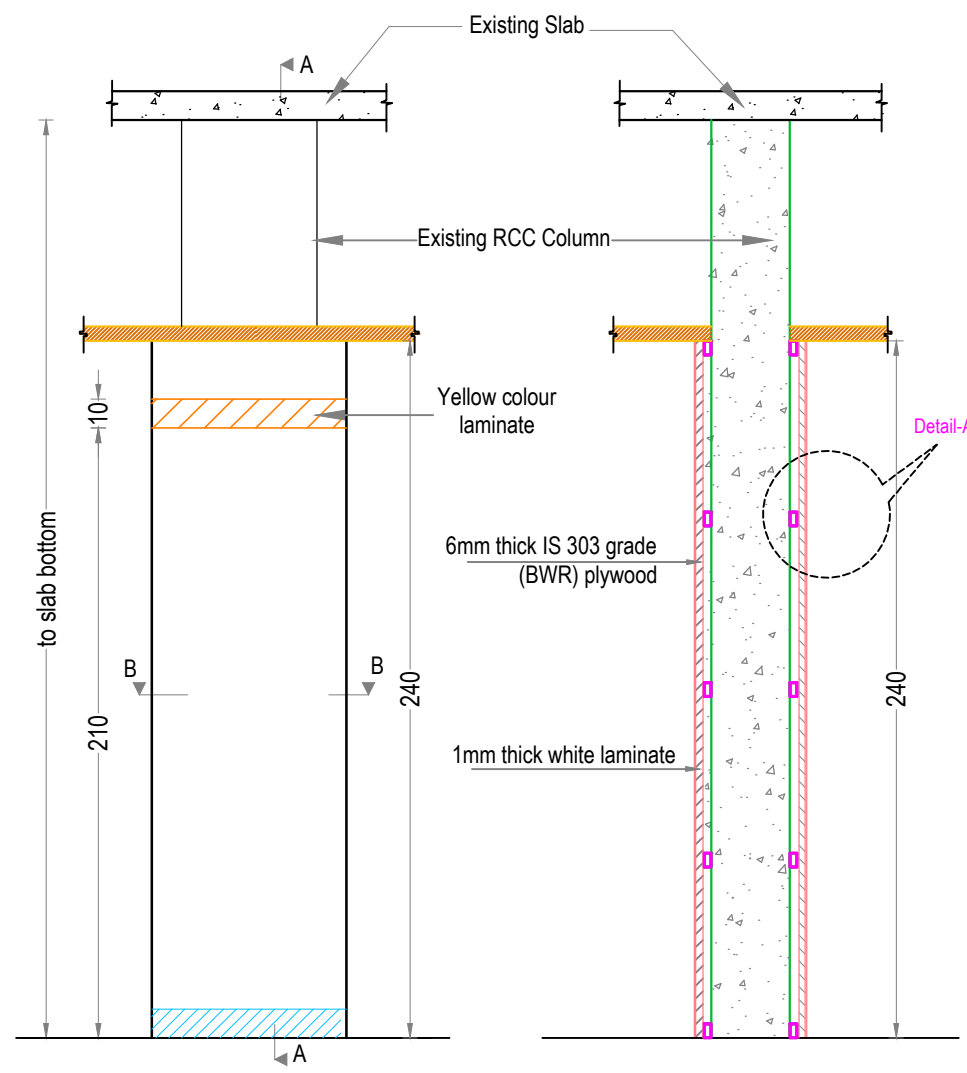


**SECTION AA**

**PROPOSED INTERIOR FURNISHING  
 FOR BANKS CANARA BANK  
 PATHANAMTHITTA BRANCH**

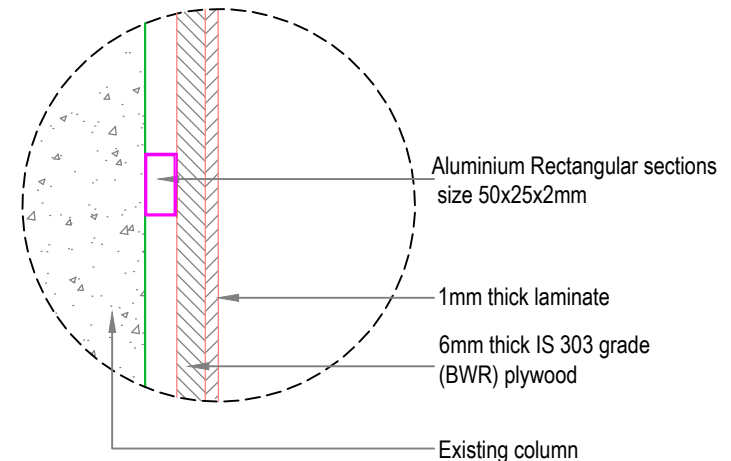
DETAILS OF :	ITEM NOS.
1. CASH COUNTER PARTITIONS	8
2. CASH TABLE 150 X 90 X 75 CM	14
3. SIDE TABLE 120 X 45 X 75 CM	16b

Drawn by	GINISH K G	
Architect	Ar.PRAVEEN.P B. Arch.[Reg], A.I.I.A, A.I.I.I.D	
Chief Architect	Ar. K. RAMAKRISHNAN B.Sc.(Engg), F.I.E, C. Eng (I), F.I.L.V , F.I.I.A. (Regd), A.I.I.I.D	
Date:	17-11-2023	Drawing No.
Revision Date:		Sheet No. <b>10</b>
		Scale NTS
		All Dimensions are in CMs.

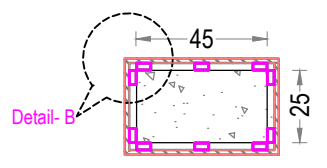


**ELEVATION**

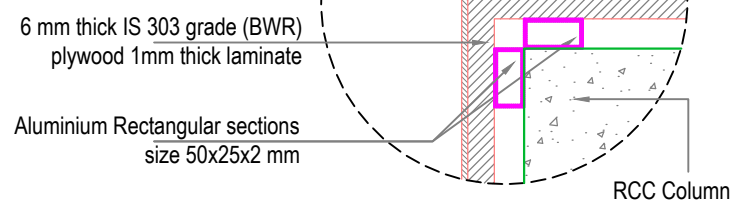
**SECTION- AA**



**DETAIL- A**



**SECTION- BB**



**DETAIL- B**

**PROPOSED INTERIOR FURNISHING  
 FOR BANKS CANARA BANK  
 PATHANAMTHITTA BRANCH**

DETAILS OF :	
1. COLUMN PANELING	9

Drawn by GINISH K G

Architect Ar.PRAVEEN.P  
 B. Arch.[Reg], A.I.I.A, A.I.I.I.D

Chief Architect

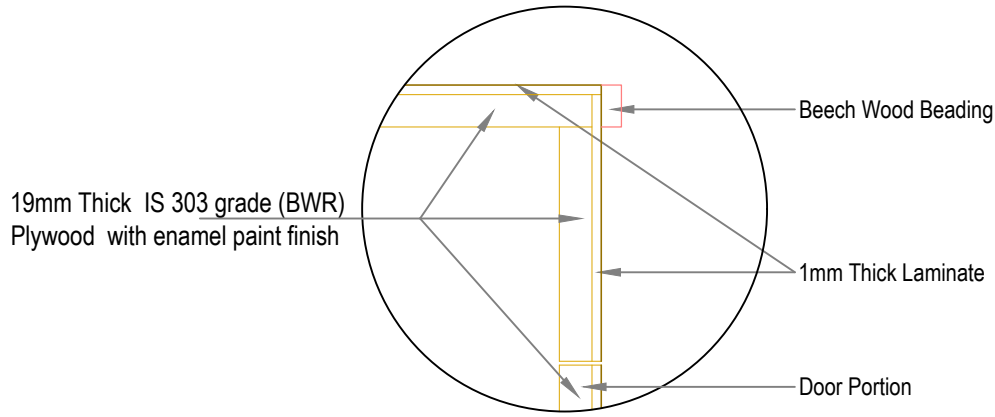
Ar. K. RAMAKRISHNAN  
 B.Sc.(Engg), F.I.E, C. Eng (I),  
 F.I.V, F.I.I.A. (Regd), A.I.I.I.D

Date: 17-11-2023 Drawing No.

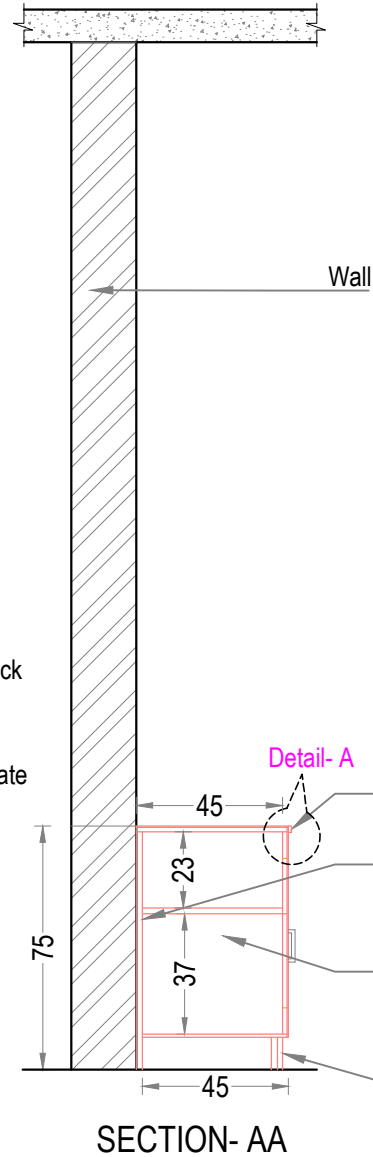
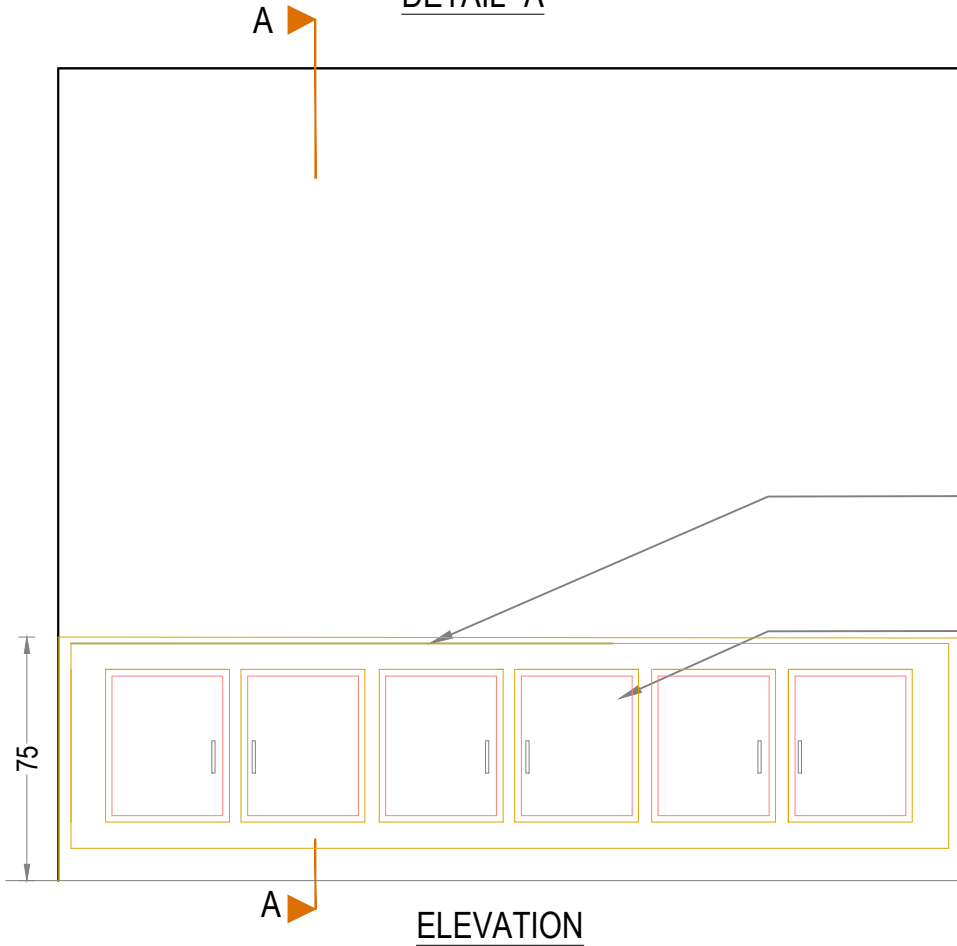
Revision Date: Sheet No: 11

Scale

All Dimensions are in CMs.



**DETAIL- A**



**PROPOSED INTERIOR FURNISHING  
 FOR BANKS CANARA BANK  
 PATHANAMTHITTA BRANCH**

DETAILS OF :	ITEM NO.
1. LOW LEVEL CUPBOARDS 75 CMS HEIGHT	10

Drawn by GINISH K G

Architect  
 Ar.PRAVEEN.P  
 B. Arch.[Reg], A.I.I.A, A.I.I.I.D

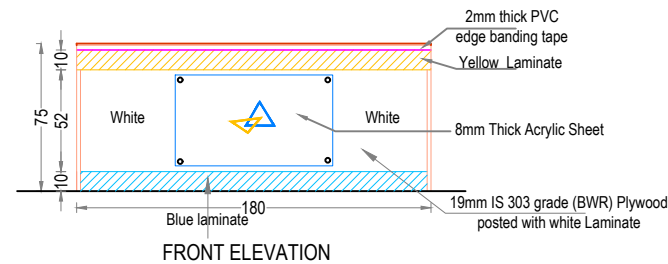
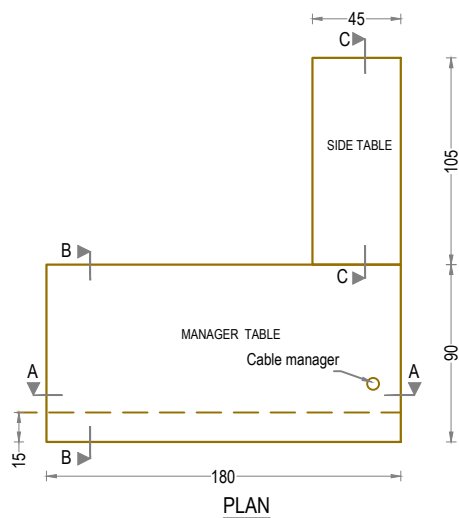
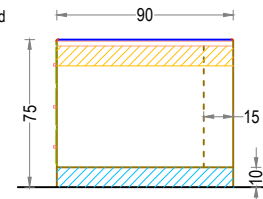
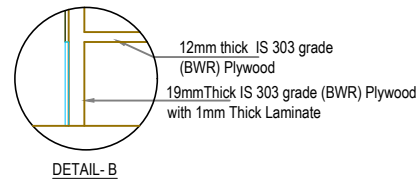
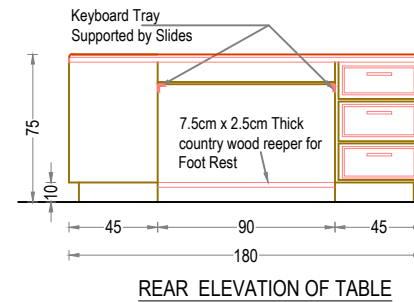
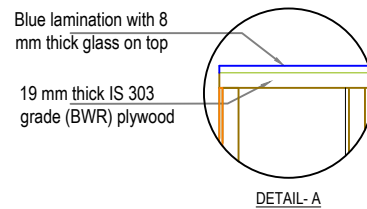
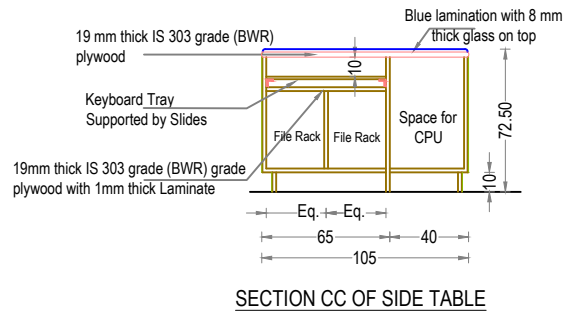
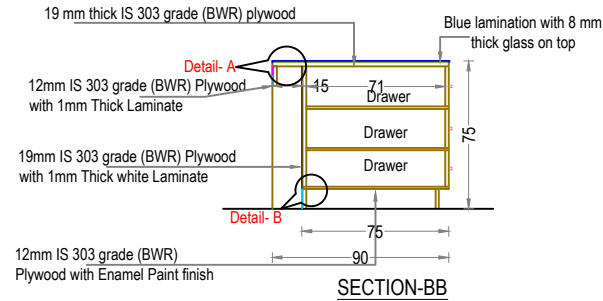
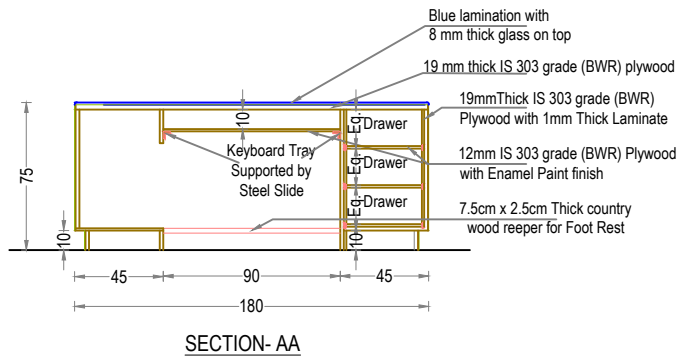
Chief Architect  
 Ar. K. RAMAKRISHNAN  
 B.Sc.(Engg), F.I.E, C. Eng (I),  
 F.I.V, J.I.I.D, F.I.I.A, (Regd),

Date: 17-11-2023 Drawing No.

Revision Date: Sheet No: 12

Scale NTS

All Dimensions are in Cms.



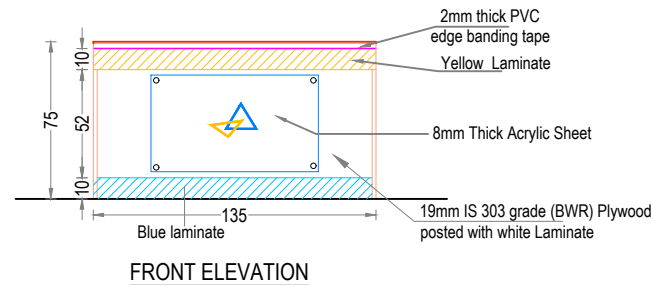
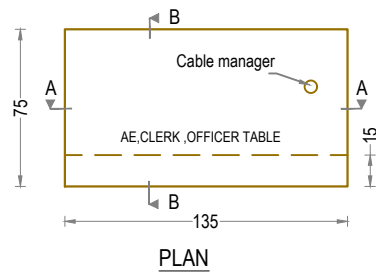
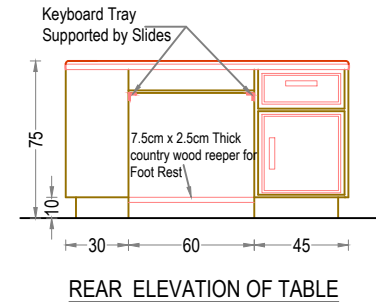
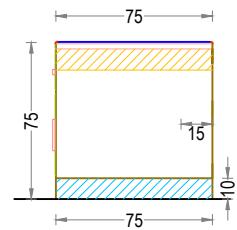
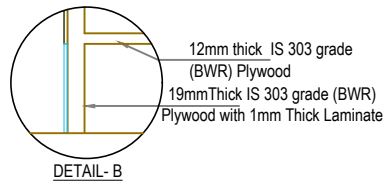
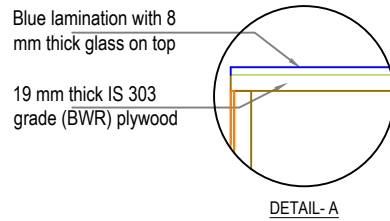
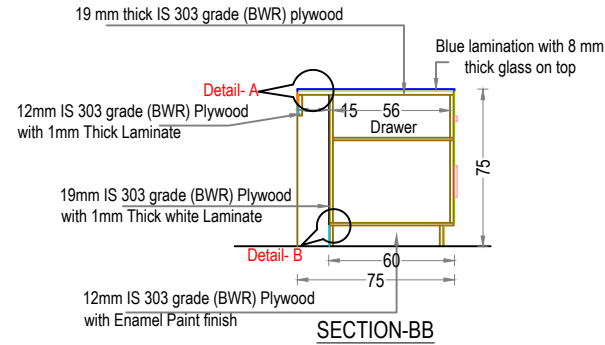
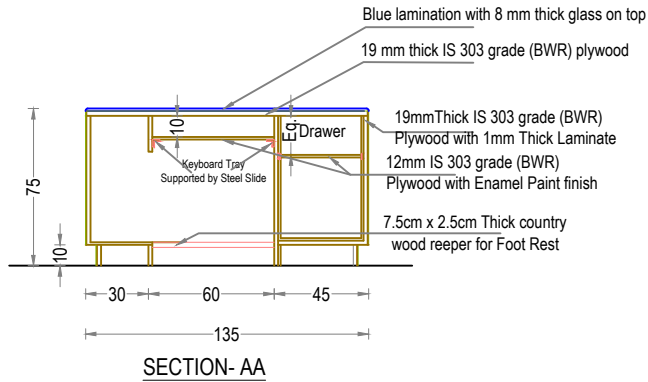
**PROPOSED INTERIOR FURNISHING  
FOR BANKS CANARA BANK  
PATHANAMTHITTA BRANCH**

DETAILS OF :	ITEM NOS.
1.MANAGER, 180X90X75	13
2.SIDE TABLE, 105X45X72.5	16 a

Drawn by	GINISH K G
Architect	Ar.PRAVEEN.P B. Arch.[Reg], A.I.I.A, A.I.I.I.D

Chief Architect	Ar. K. RAMAKRISHNAN B.Sc.(Engg), F.I.E, C. Eng (I), F.I.V, F.I.I.A. (Regd), A.I.I.I.D
-----------------	---

Date: 17-11-2023	Drawing No.
Revision Date:	Sheet No. 13
	Scale NTS
All Dimensions are in CMS.	

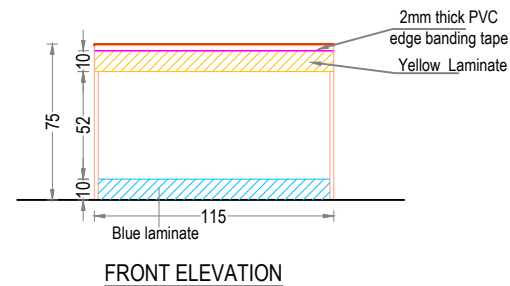
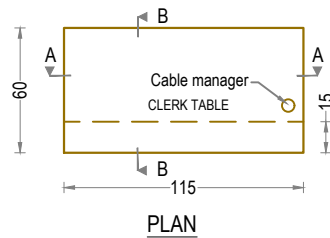
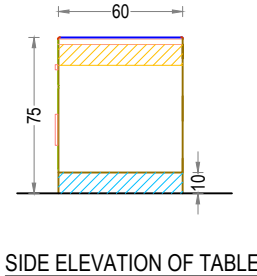
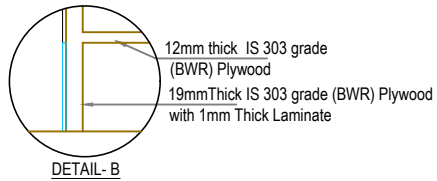
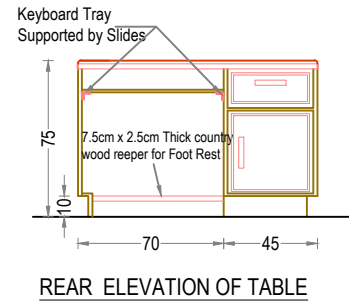
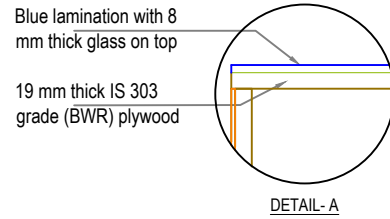
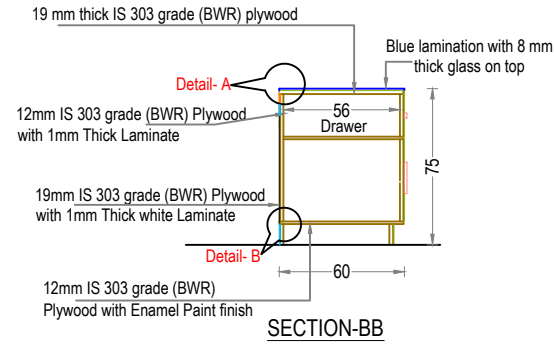
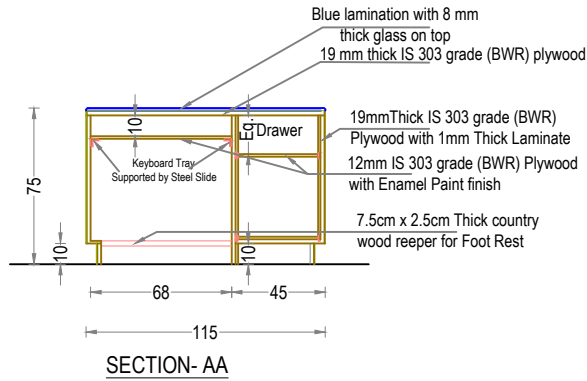


**PROPOSED INTERIOR FURNISHING  
FOR BANKS CANARA BANK  
PATHANAMTHITTA BRANCH**

DETAILS OF :	ITEM NOS.
1.AE,CLERK ,OFFICER TABLE 135 X 75 X 75	15

Drawn by	GINISH K G
Architect	Ar.PRAVEEN.P B. Arch.[Reg], A.I.I.A, A.I.I.I.D
Chief Architect	Ar. K. RAMAKRISHNAN B.Sc.(Engg), F.I.E, C. Eng (I), F.I.V , F.I.I.A. (Regd), A.I.I.I.D

Date: 17-11-2023	Drawing No.
Revision Date:	Sheet No. 14
	Scale NTS
All Dimensions are in CMs.	

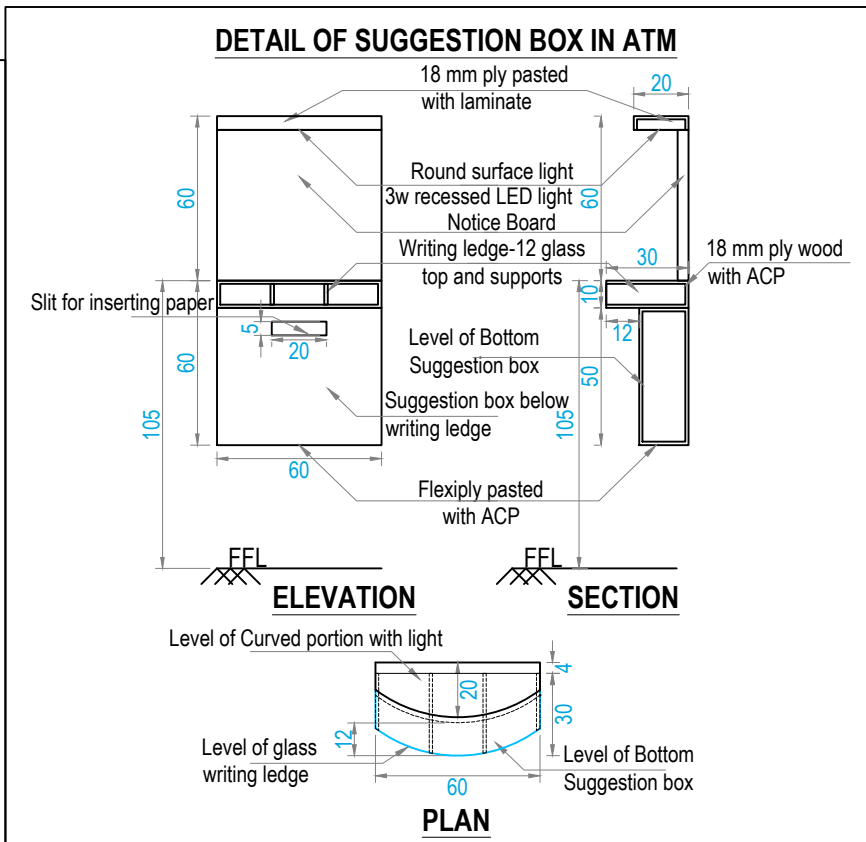
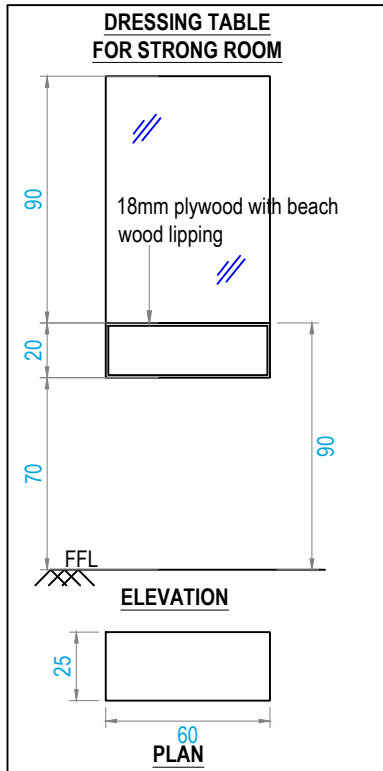
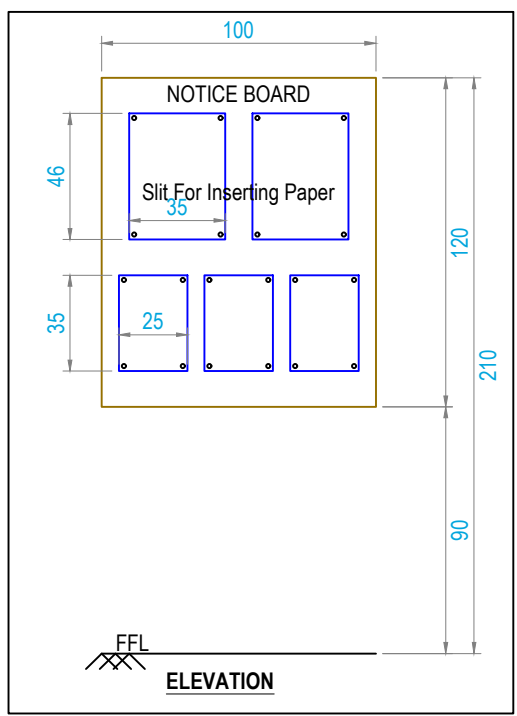
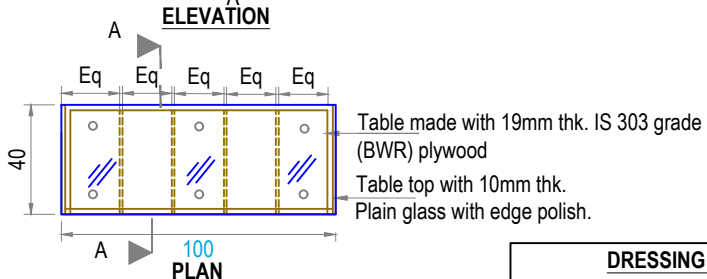
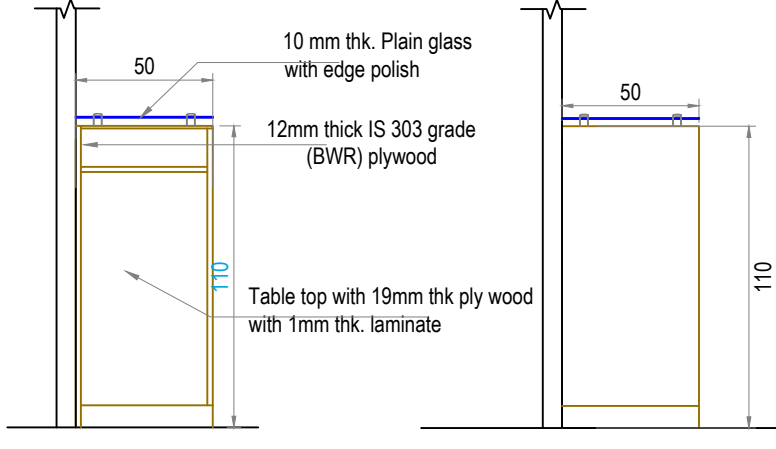
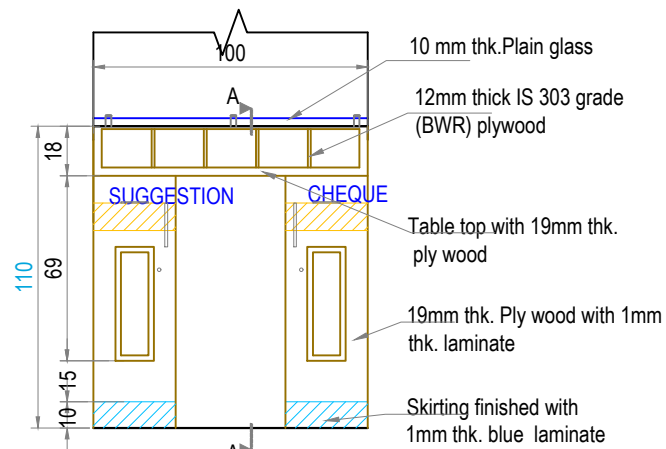


**PROPOSED INTERIOR FURNISHING  
FOR BANKS CANARA BANK  
PATHANAMTHITTA BRANCH**

DETAILS OF :	ITEM NOS.
1 CASH COUNTING TABLE 115 X 60 X 75	17

Drawn by	GINISH K G
Architect	Ar.PRAVEEN.P B. Arch.[Reg], A.I.I.A, A.I.I.I.D
Chief Architect	Ar. K. RAMAKRISHNAN B.Sc.(Engg), F.I.E, C. Eng (I), F.I.V , F.I.I.A. (Regd), A.I.I.I.D

Date: 17-11-2023	Drawing No.
Revision Date:	Sheet No. 15
	Scale NTS
All Dimensions are in CMs.	



**PROPOSED INTERIOR FURNISHING  
FOR BANKS CANARA BANK  
PATHANAMTHITTA BRANCH**

DETAILS OF :	ITEM NOS.
WRITING DESK (100 X 40 X 110)	19
NOTICE BOARD (100 X 120)	20
DRESSING TABLE FOR STRONG ROOM (60 X 25)	21
SUGGESTION BOX	3

Drawn by: GINISH.K.G

Architect: Ar.PRAVEEN.P  
B. Arch.(Reg), A.I.I.A, A.I.I.I.D

Chief Architect: Ar. K. RAMAKRISHNAN  
B.Sc.(Engg), M.I.E, C. Eng (I),  
F.I.V.A.I.I.A.(Regd.)

Date: 17-11-2023 Drawing No.

Revision Date: Sheet No : 16

Scale : NTS

All Dimensions are in CMs.