

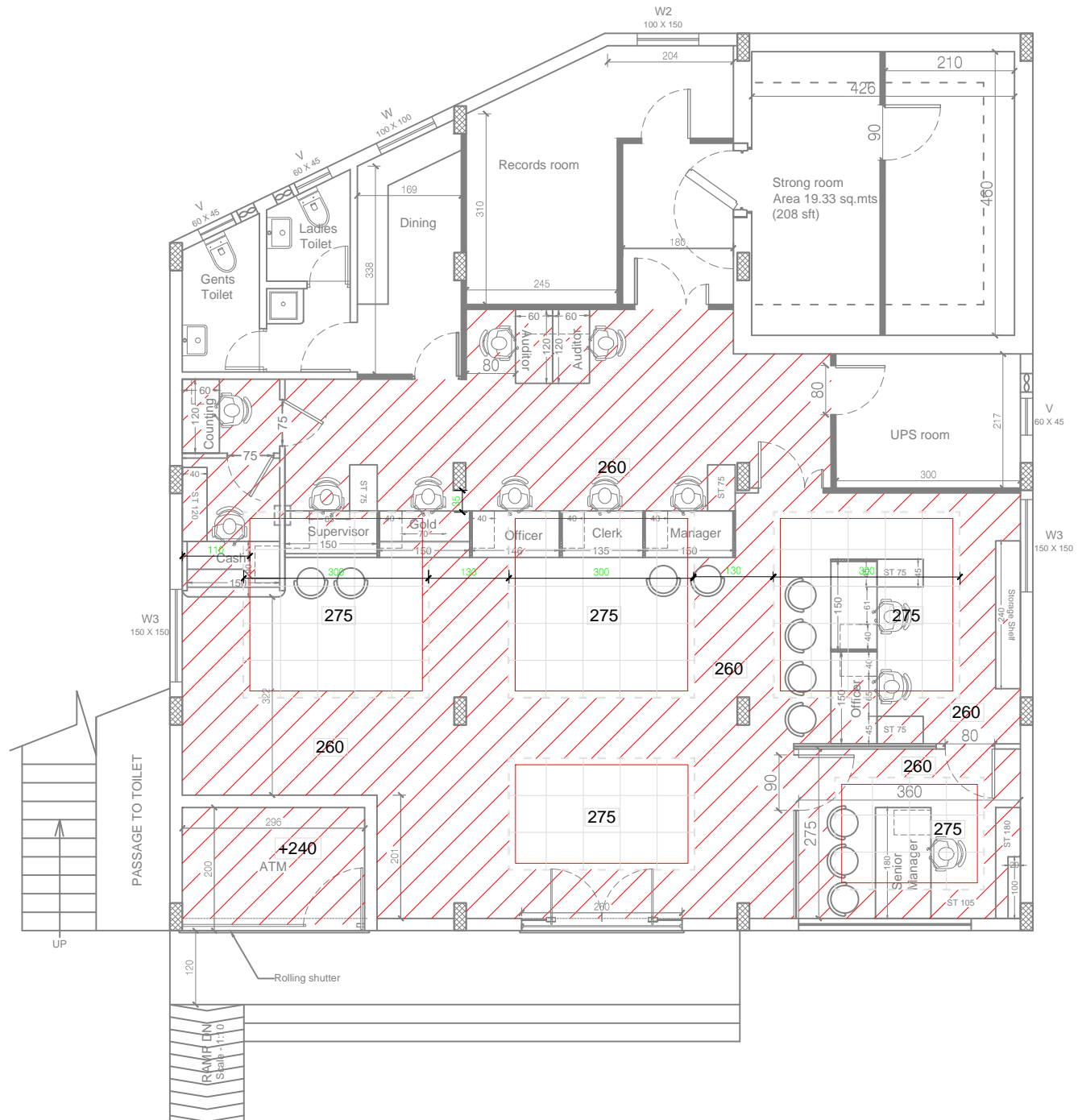
- Double sided Laminate Non Glazed Partition
- Double sided Laminate Glazed Partition
- Composite Partition with plywood on one side and other cement board
- Fully Glazed Partition For Manager's Cabin

Carpet Area excluding Toilet area and columns: 1849 sq.ft

NEARBY MISMATCH IN THE DIMENSIONS HAS TO BE CLARIFIED WITH THE ENGINEER IN CHARGE & ARCHITECT

01	PROJECT TITLE	CANARA BANK PANAVELI BRANCH		DATE: 29-09-23	DRAWN: Shajira	REVISIONS	North direction:	Architect: Devi Anilkumar, 1st Floor, 'VASUDHA' Main Road, KOWDIAR, Trivandrum 695003, Tel:-914712439222
	DRAWING TITLE	LAYOUT AS PER SITE MEASUREMENTS		SCALE:	CHECKED: DAK			
				REVISION				
ALL DIMENSIONS ARE IN CENTIMETRES								

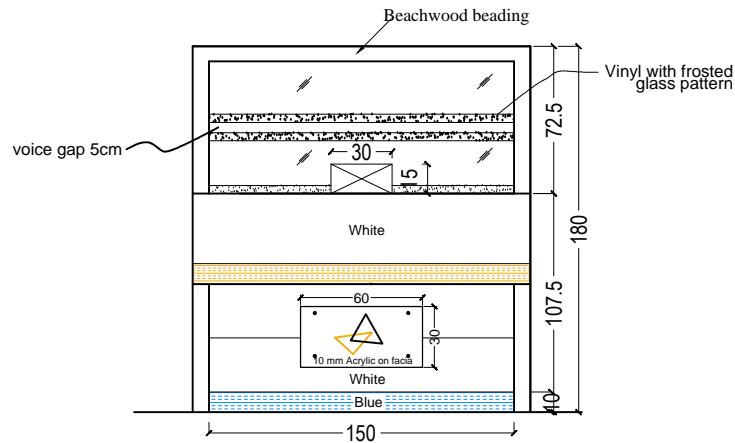
Internal



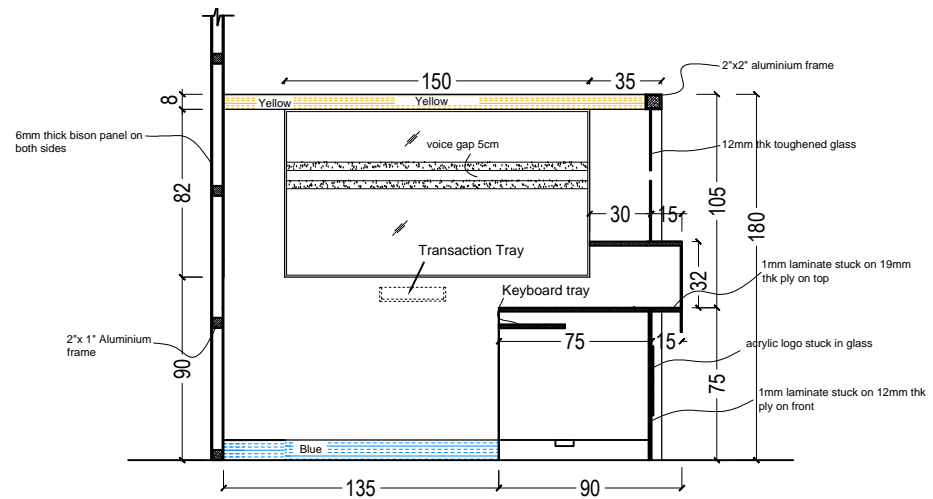
HEAVY MISMATCH IN THE DIMENSIONS HAS TO BE CLARIFIED WITH THE ENGINEER IN CHARGE & ARCHITECT

Proj. No CB 01/ 23-24	PROJECT TITLE	DATE: 29-09-23	DRAWN: Shajira	REVISIONS
	CANARA BANK PANAVELI BRANCH		SCALE:	
02	DRAWING TITLE	REVISION		
	FALSE CEILING LAYOUT			
	Internal			
ALL DIMENSIONS ARE IN CENTIMETRES				

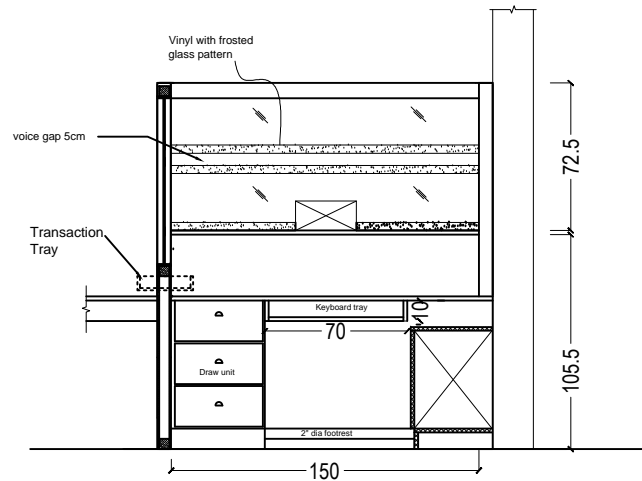
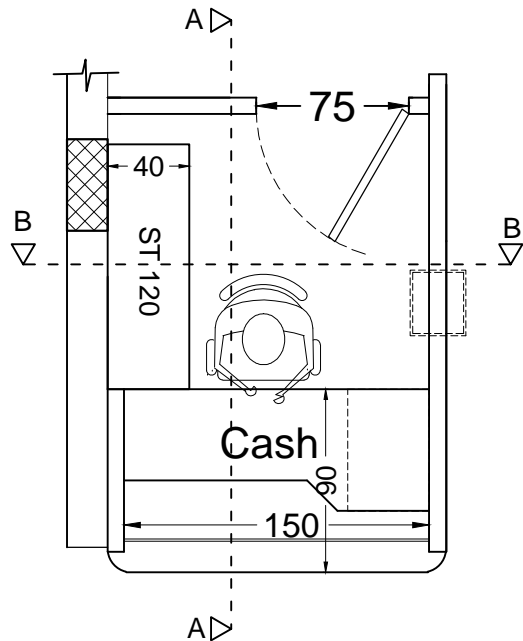
Architect:
Devi Anilkumar,
 1st Floor, 'VASUDHA'
 Main Road, KOWDIAR,
 Trivandrum 695003
 Tel:-914712439222



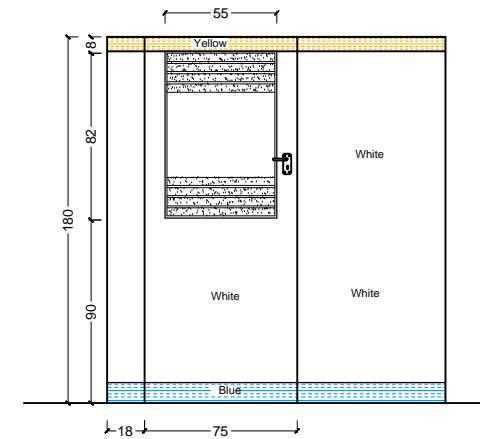
FRONT ELEVATION




SECTIONAL ELEVATION A A



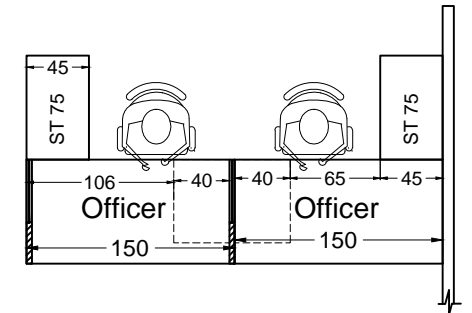
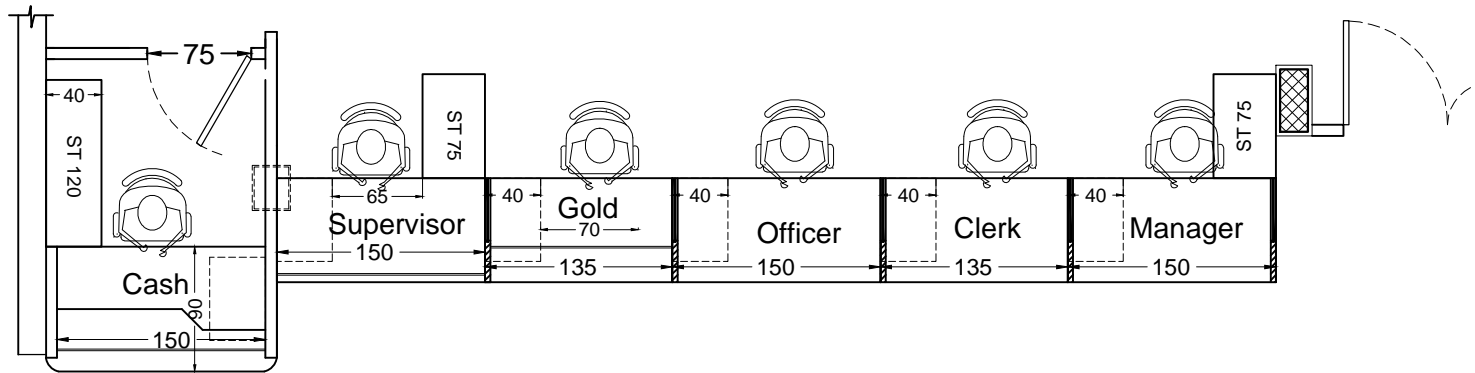
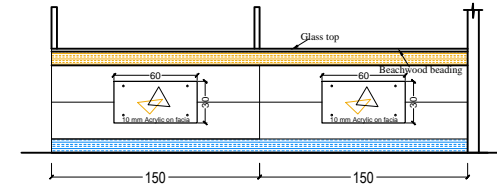
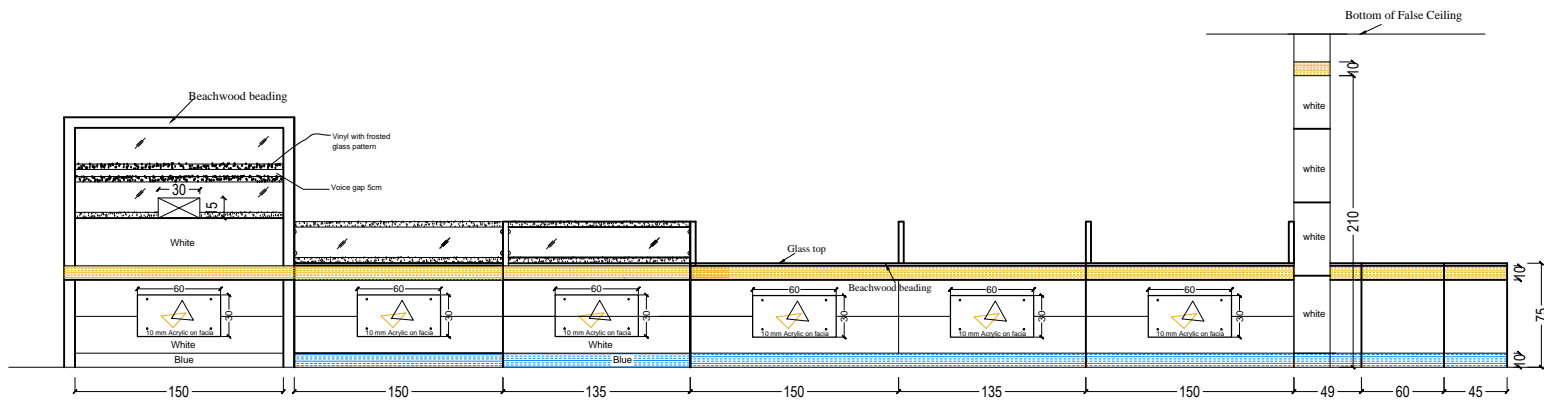
SECTIONAL ELEVATION B B



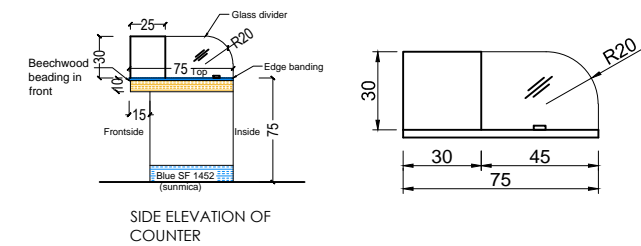
REAR ELEVATION


Proj. No CB 01/23-24	PROJECT TITLE CANARA BANK PANAVELI BRANCH	DATE: 17.06.23	DRAWN: SHAJIRA	North direction: 	Architect: Devi Anilkumar, 1st Floor, "VASUDHA" Main Road, KOWDIAR, Trivandrum 695003 Tel:+914712439222
Dwg.No. 03	DRAWING TITLE DETAIL OF CASH / SWC COUNTER	SCALE:	CHECKED: DAK		
		REVISION :			
				ALL DIMENSIONS ARE IN CENTIMETRES	

Internal

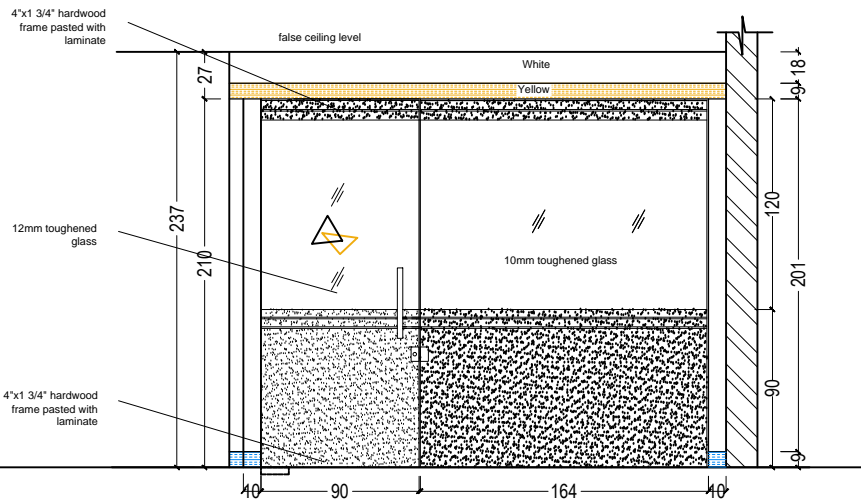


DETAIL OF GLASS DIVIDER ON COUNTER

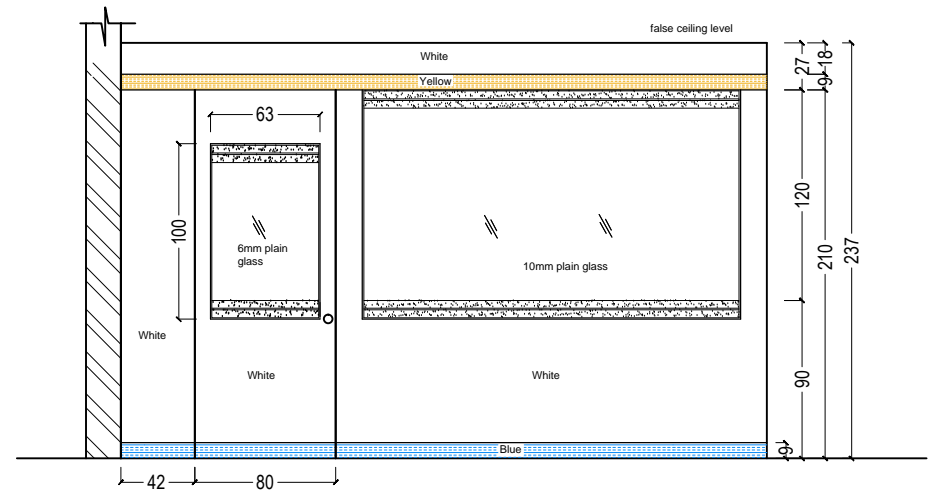


Proj. No CB 01/23-24	PROJECT TITLE	CANARA BANK PANAVELI BRANCH	DATE: 17.06.23	DRAWN: SHAJIRA	North direction: 	Architect: Devi Anilkumar, 1st Floor, "VASUDHA" Main Road, KOWDIAR, Trivandrum 695003 Tel:+914712439222
	Dwg.No. 04		DRAWING TITLE	SCALE:		
		DETAIL OF RUNNING COUNTER	REVISION :			
			ALL DIMENSIONS ARE IN CENTIMETRES			

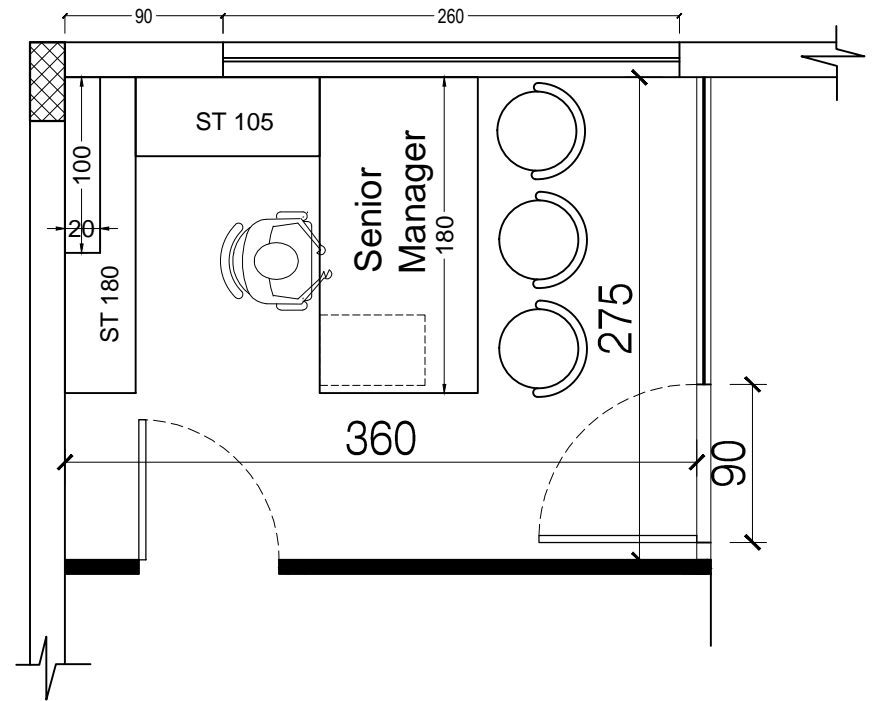
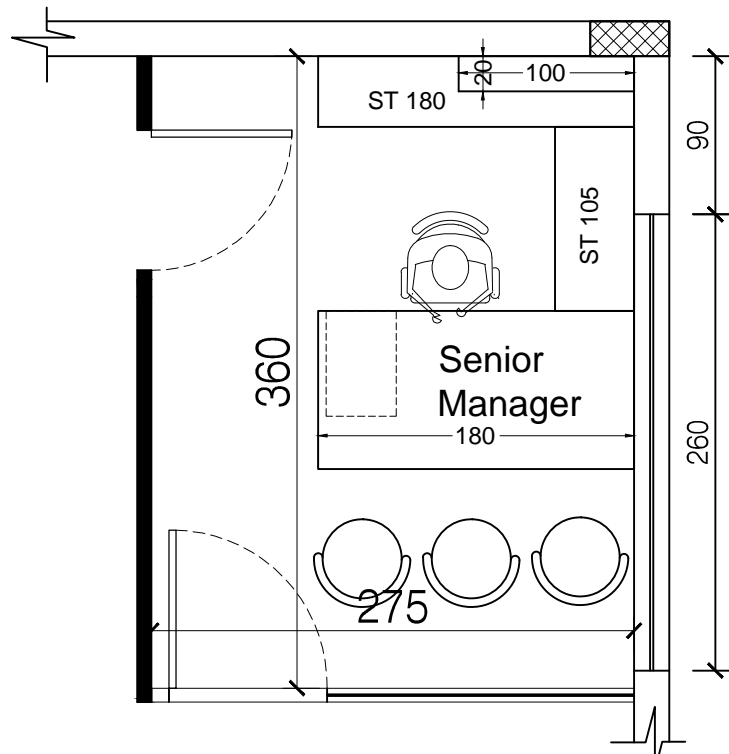
Internal




FRONT ELEVATION

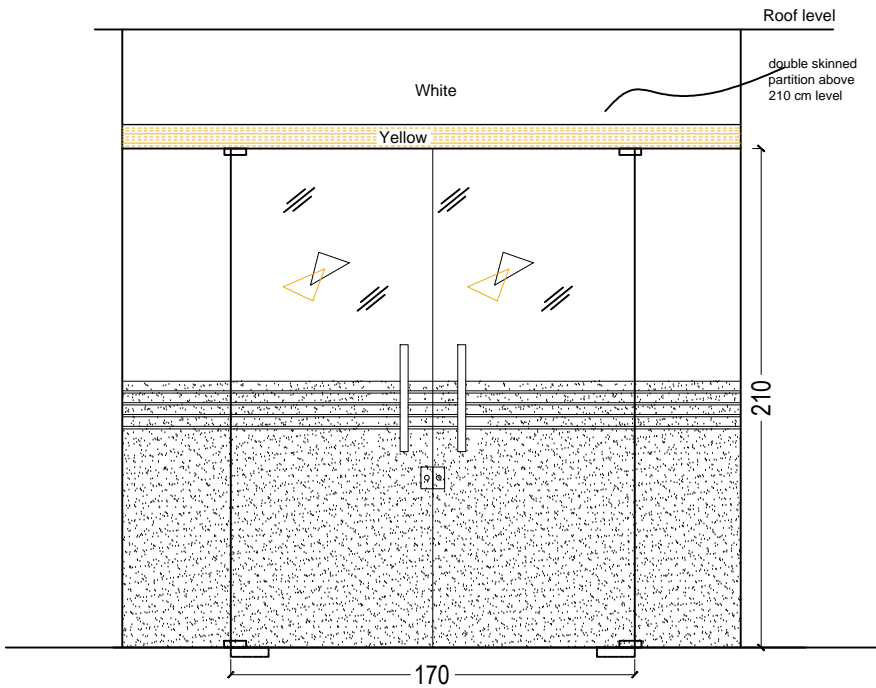


LEFT SIDE ELEVATION

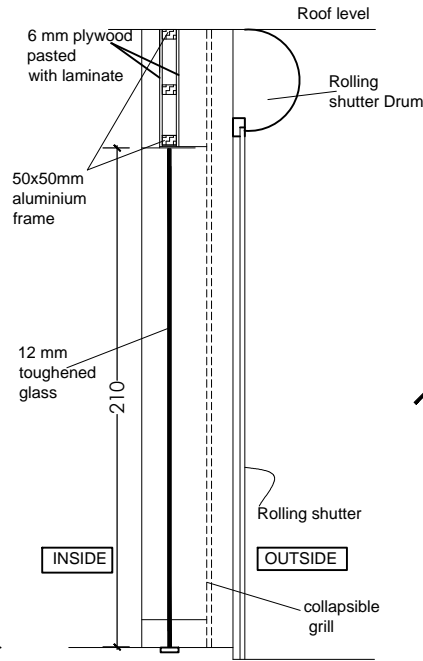


Proj. No CB 01/23-24	PROJECT TITLE CANARA BANK PANAVELI BRANCH	DATE: 17.06.23	DRAWN: SHAJIRA	North direction: 	Architect: Devi Anilkumar, 1st Floor, "VASUDHA" Main Road, KOWDIAR, Trivandrum 695003 Tel:+914712439222
Dwg.No. 05	DRAWING TITLE DETAIL OF CHIEF MANAGER'S CABIN	SCALE:	CHECKED: DAK		
		REVISION :			
ALL DIMENSIONS ARE IN CENTIMETRES					

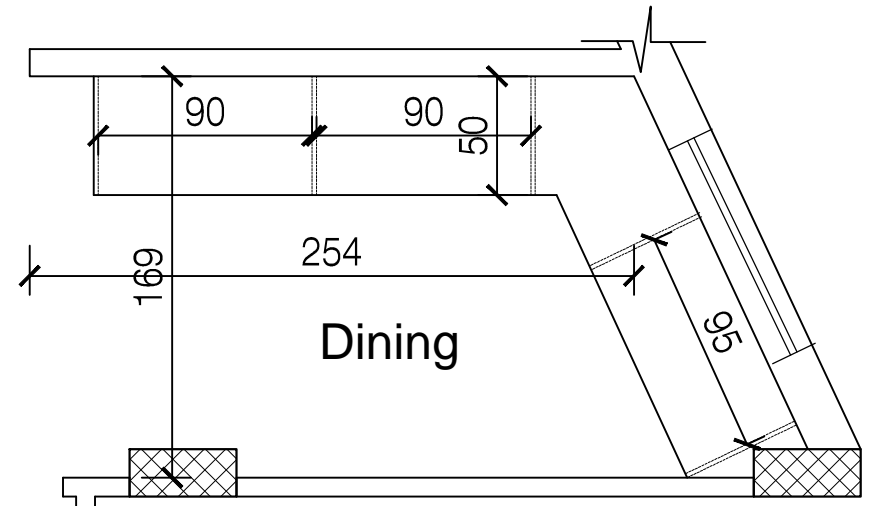
Internal



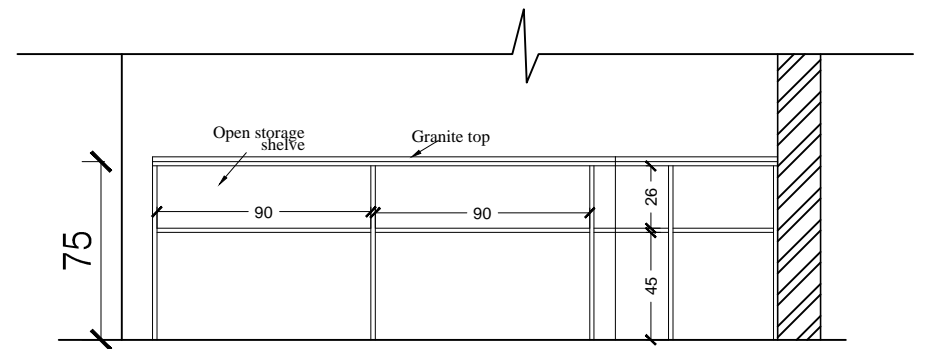
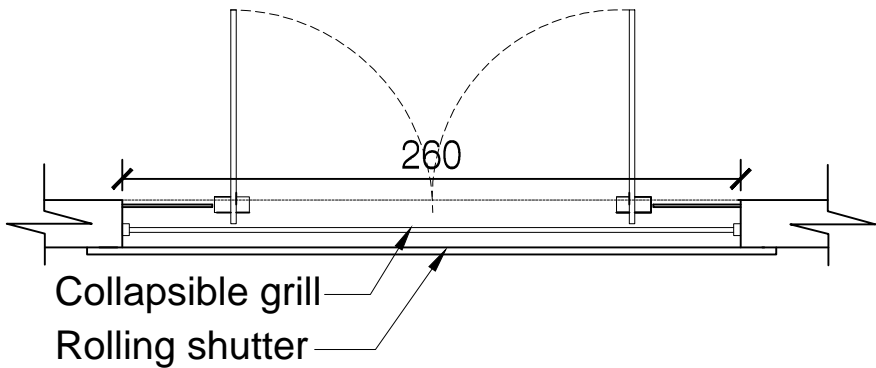
ELEVATION FROM OUTSIDE



SECTION A A'



DETAIL OF PANTRY TABLE



Proj. No
CB 01/23-24

Dwg. No.
06

PROJECT TITLE
CANARA BANK PANAVELI BRANCH

DRAWING TITLE
DETAIL OF ENTRANCE DOOR & PANTRY TABLE

DATE: 17.06.23

SCALE:

REVISION:

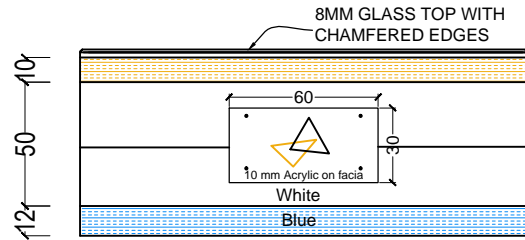
ALL DIMENSIONS ARE IN CENTIMETRES

North direction:

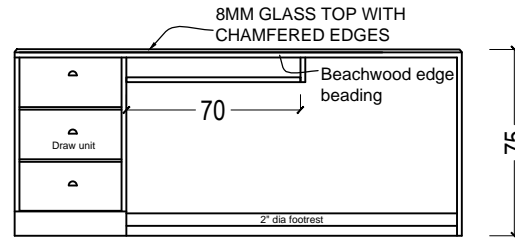
Architect:
Devi Anilkumar,
1st Floor, "VASUDHA"
Main Road, KOWDIAR,
Trivandrum 695003
Tel:+914712439222

Internal

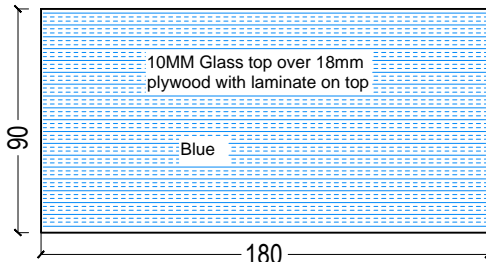
DETAIL OF MANAGER'S TABLE



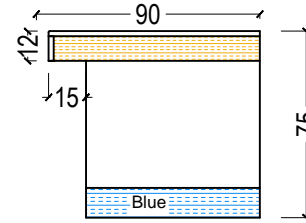
ELEVATION



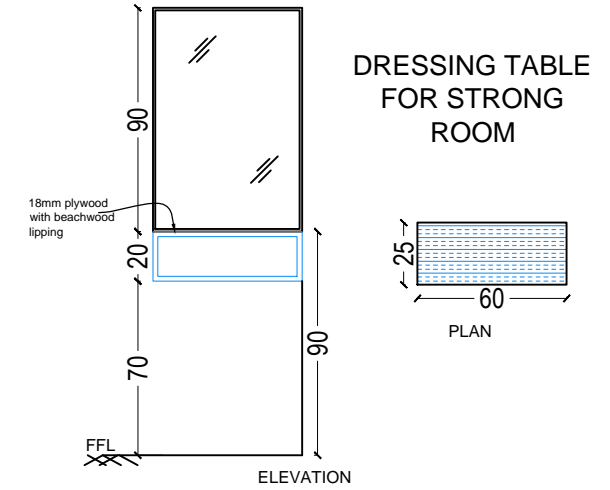
SECTION



PLAN



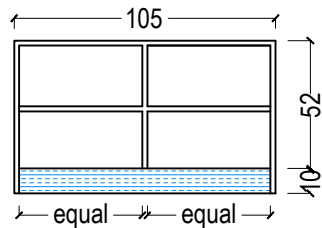
SIDE ELEVATION



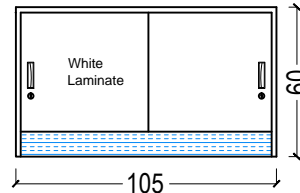
DRESSING TABLE FOR STRONG ROOM

PLAN

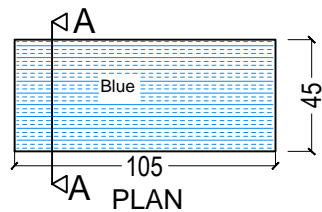
SIDE TABLE FOR MANAGER



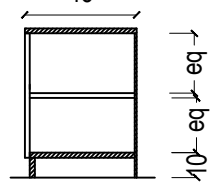
ELEVATION WITHOUT SHUTTER



ELEVATION WITH SLIDING SHUTTER

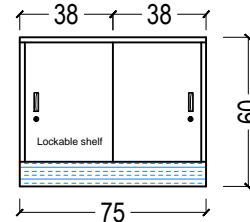


PLAN

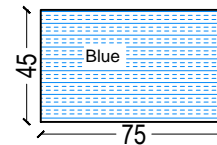


SECTION AA

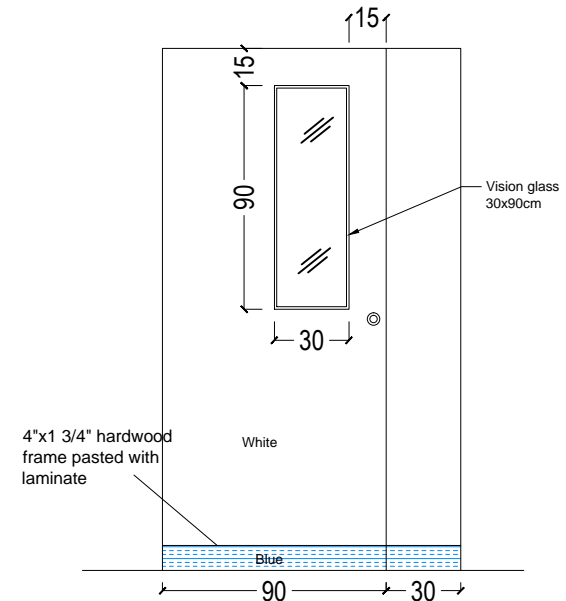
SIDE TABLE OF SIZE 75 CM



ELEVATION



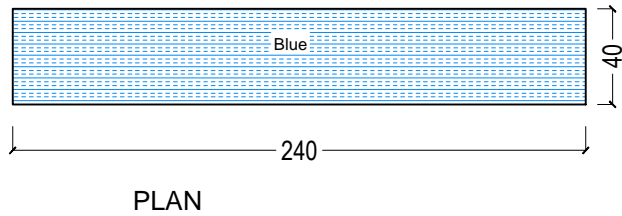
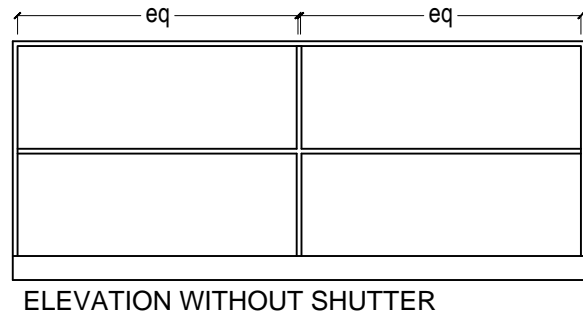
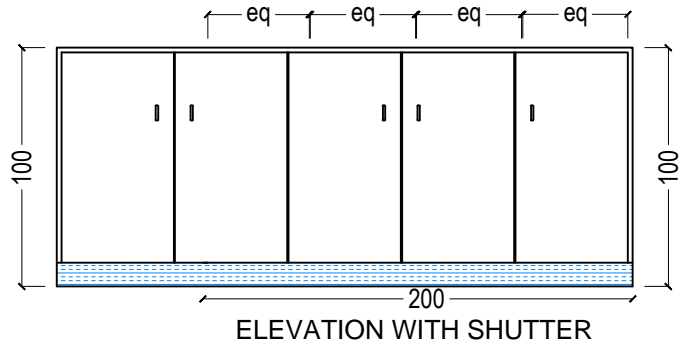
PLAN



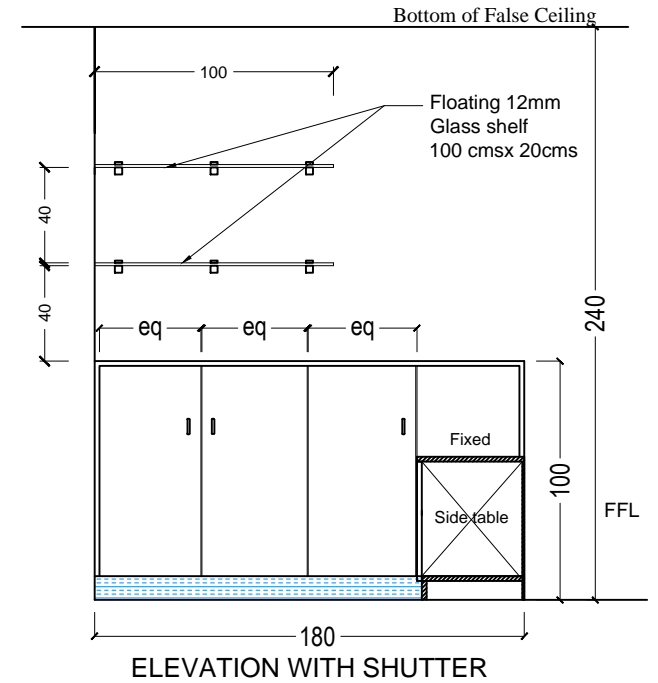
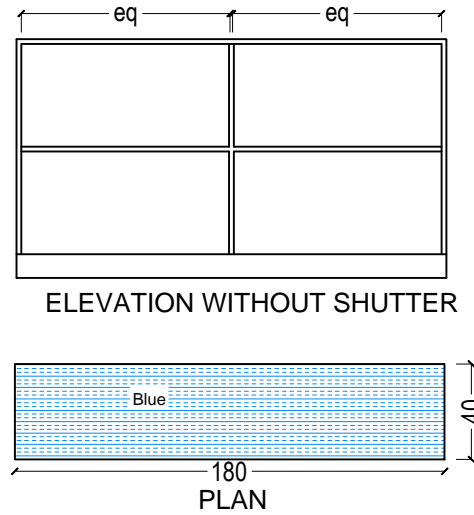
FLUSH DOOR WITH VISION PANEL


Proj. No CB 01/23-24	PROJECT TITLE	CANARA BANK PANAVELI BRANCH		DATE: 17.06.23	DRAWN: SHAJIRA	North direction: 	Architect: Devi Anilkumar, 1st Floor, "VASUDHA" Main Road, KOWDIAR, Trivandrum 695003 Tel:+914712439222
	Drg.No. 07	DRAWING TITLE	DETAIL OF MANAGER'S TABLE, SIDE TABLES, DRESSING TABLE FOR STRONG ROOM & FLUSH DOOR		SCALE:		
				REVISION :			
				ALL DIMENSIONS ARE IN CENTIMETRES			

DETAIL OF STORAGE SHELF 1M HEIGHT



STORAGE SHELF IN MANAGER'S CABIN

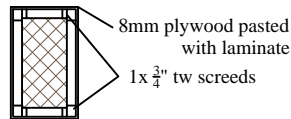
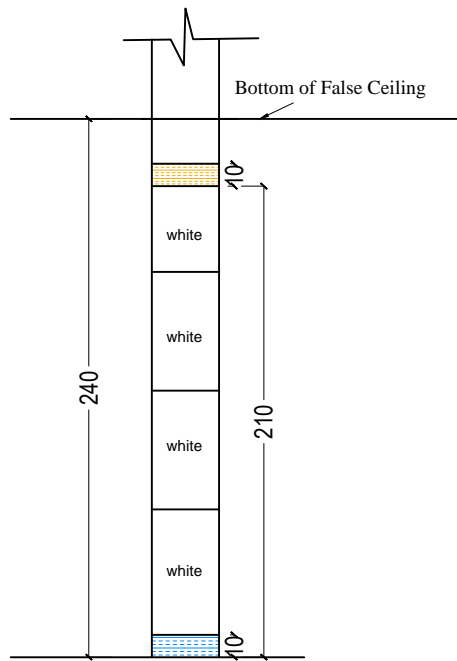


Proj. No CB 01/23-24	PROJECT TITLE	CANARA BANK PANAVELI BRANCH		DATE: 17.06.23	DRAWN: SHAJIRA	North direction: 	Architect: Devi Anilkumar, 1st Floor, "VASUDHA" Main Road, KOWDIAR, Trivandrum 695003 Tel:+914712439222
	Drg.No. 08	DRAWING TITLE	DETAIL OF STORAGE SHELVES		SCALE:		
				REVISION :			
				ALL DIMENSIONS ARE IN CENTIMETRES			

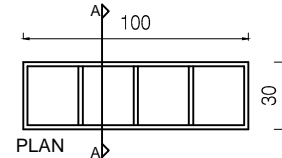
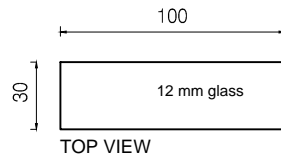
Internal

DETAIL OF WRITING LEDGE

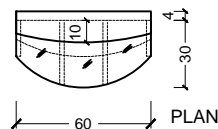
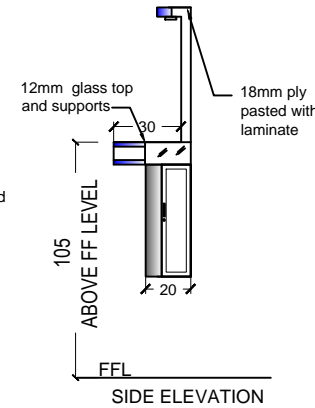
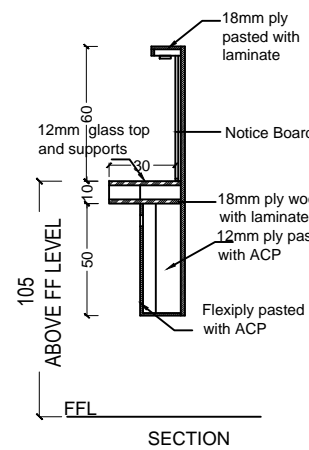
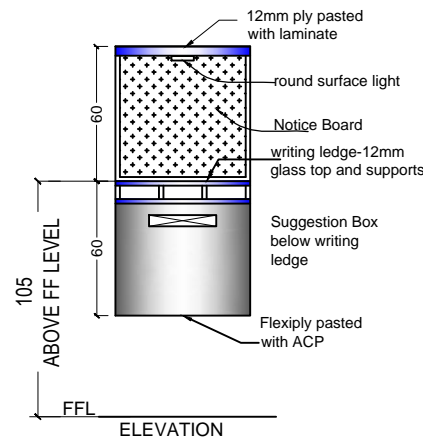
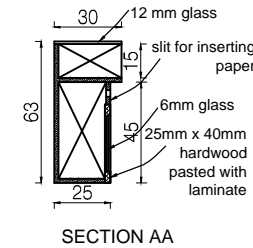
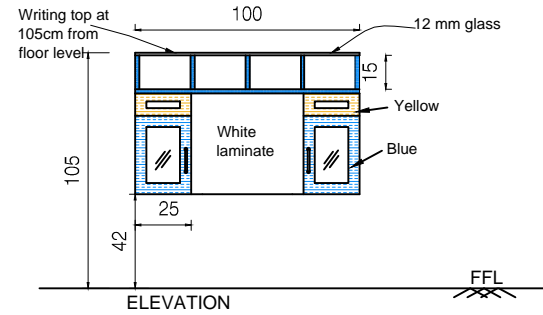
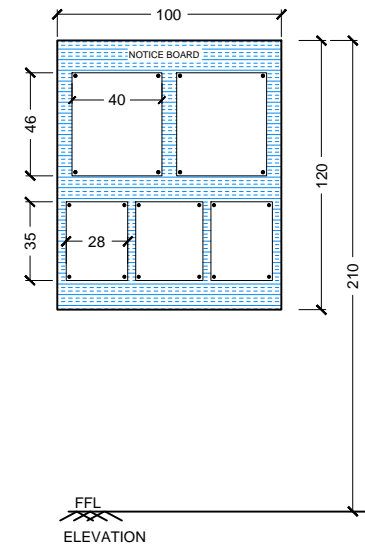
DETAIL OF COLUMN PANELLING



PLAN




NOTICE BOARD



DETAIL OF SUGGESTION BOX IN ATM

DETAIL OF COLUMN CLADDING, SUGGESTION BOX, WRITING LEDGE AND NOTICE BOARD

Proj. No CB 01/23-24	PROJECT TITLE	CANARA BANK PANAVELI BRANCH		DATE: 17.06.23	DRAWN: SHAJIRA	North direction: 	Architect: Devi Anilkumar, 1st Floor, "VASUDHA" Main Road, KOWDIAR, Trivandrum 695003 Tel:+914712439222
	Drg.No. 09	DRAWING TITLE	DETAIL OF COLUMN CLADDING, SUGGESTION BOX, WRITING LEDGE AND NOTICE BOARD		SCALE:		
				REVISION :			
ALL DIMENSIONS ARE IN CENTIMETRES							

internal