



SL	SYMBOL	DESCRIPTION	QUANTITY
01		1x18W LED TUBE	18Nos
02		36 W SQUARE LED DOWN LIGHTER	12Nos
03		12 W CIRCULAR LED DOWN LIGHTER	48Nos
04		9W LED GLASS BULB WITH BATTERN HOLDER	03Nos
05		1200/1050MM SWEEP 5 STAR RATED CEILING FAN (65W)	08Nos
06		300MM SWEEP EXHAUST FAN (65W)	01No
07		150MM SWEEP EXHAUST FAN (40W)	02Nos
08		400MM SWEEP WIDE SPEED CONTROL WALL FAN (40W)	11Nos
09		COMBINED(6A SOCKET) SWITCH BOARD	11Nos
10		INDEPENDENT SWITCH BOARD	03Nos
11		4.8W/M LED STRIP LIGHT (Blue)	70m
12		MIRROR LAMP (15W)	03Nos

FOR CONTRACTOR

FOR ARCHITECT

FOR CLIENT

MANAGER  
FOR CANARA BANK PANAVELI

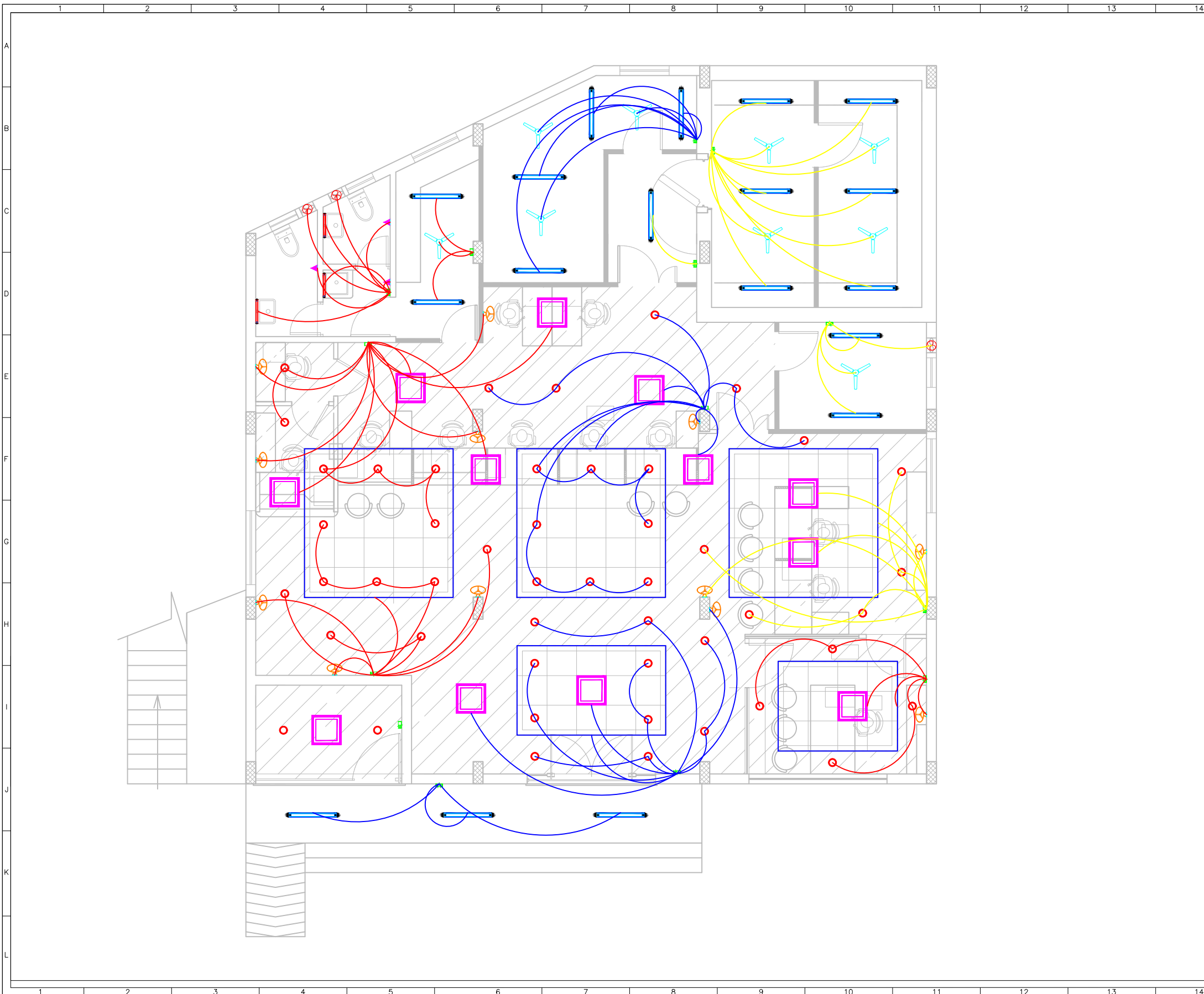
PROJECT  
**CANARA BANK PANAVELI BRANCH**

TITLE  
**LIGHTING LAYOUT**

DRAWING STATUS: FOR APPROVAL

DWG NO. 01      DATE:06-12-2023

DEVI ARCHITECT  
ARCHITECT & INTERIOR DESIGNERS  
TRIVANDRUM



SL	SYMBOL	DESCRIPTION	QUANTITY

FOR CONTRACTOR

FOR ARCHITECT

FOR CLIENT

MANAGER  
FOR CANARA BANK PANAVELI

PROJECT  
CANARA BANK PANAVELI BRANCH

TITLE  
LIGHT CONTROL

DRAWING STATUS: FOR APPROVAL

DWG NO.02      DATE:06-12-2023

DEVI ARCHITECT  
ARCHITECT & INTERIOR DESIGNERS  
TRIVANDRUM



SL	SYMBOL	DESCRIPTION	QUANTITY

FOR CONTRACTOR

FOR ARCHITECT

FOR CLIENT

**MANAGER  
FOR CANARA BANK PANAVELI**

PROJECT  
**CANARA BANK PANAVELI BRANCH**

TITLE  
**INVERTER POINTS**

DRAWING STATUS: FOR APPROVAL

DWG NO.03                      DATE:06-12-2023

**DEVI ARCHITECT  
ARCHITECT & INTERIOR DESIGNERS  
TRIVANDRUM**



SL	SYMBOL	DESCRIPTION	QUANTITY
01		3 nos 6A Sockets controlled by 1 no. 16A Switch	15Nos
02		16A Socket controlled by 16A Switch	08Nos
03		Independent 6A Socket controlled by 6A Switch	13Nos
04		Telephone Socket	10Nos
05		16A Socket with Plug Top (For Strong Room)	01No

FOR CONTRACTOR

FOR ARCHITECT

FOR CLIENT

PROJECT  
**CANARA BANK PANAVELI BRANCH**

TITLE  
**POWER LAYOUT**

DRAWING STATUS: FOR APPROVAL

DWG NO. 04      DATE: 06-12-2023

DEVI ARCHITECT  
ARCHITECT & INTERIOR DESIGNERS  
TRIVANDRUM



SL	SYMBOL	DESCRIPTION	QUANTITY
01		Aircondition Points( Split AC)	
		1.0 Tr Split A/C - Manager Cabin,ATM	03Nos
		2Tr Split A/C - Banking Hall	01No
02		Aircondition Points( Casette AC)	
		3Tr Casette A/C - Banking Hall	02Nos

FOR CONTRACTOR

FOR ARCHITECT

FOR CLIENT

MANAGER  
FOR CANARA BANK PANAVELI

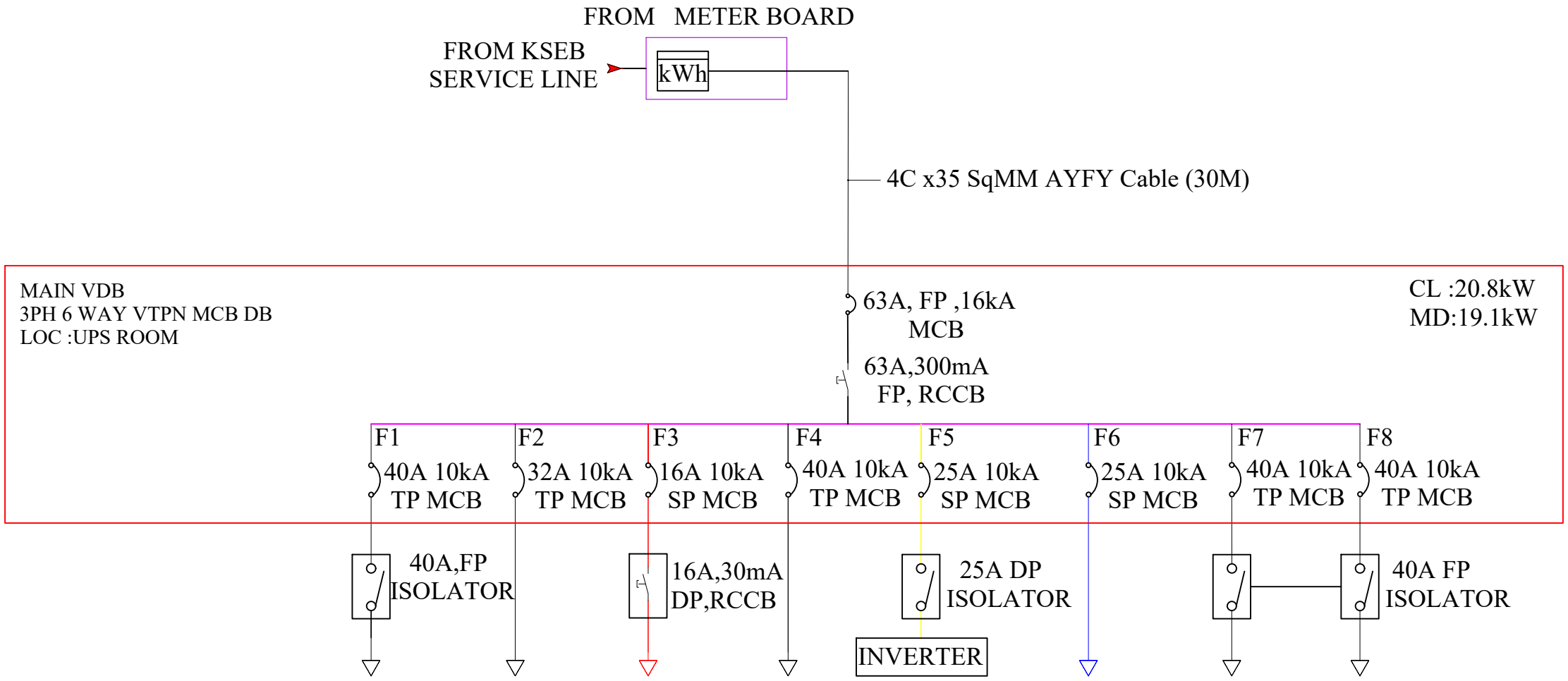
PROJECT  
**CANARA BANK PANAVELI BRANCH**

TITLE  
**AC LAYOUT**

DRAWING STATUS: FOR APPROVAL

DWG NO.05      DATE:06-12-2023

DEVI ARCHITECT  
ARCHITECT & INTERIOR DESIGNERS  
TRIVANDRUM



EQUIPMENT NO.	1	LDB	BOARD LHT	PDB	INVERTER (3KVA)	TO MCB CHANGEOVER SWITCH	AC - 01(CST)	AC - 02(CST)
EQUIPMENT DESCRIPTION	UPS(5kVA)	3PH 4W		3PH 6W			3 Tr AC	3 Tr AC
CONNECTED LOAD(kW)	4.0	3.4	0.8	5.4			3.6	3.6
MAXIMUM DEMAND(kW)	4.0	2.3	0.8	4.8			3.6	3.6
SWITCHGEAR RATING(A)	40	32	LIGHT POINTS	40			40	40
BACK UP FUSE RATING(A)	40	32	WIRED WITH 2x2.5MM <sup>2</sup> PVC INSULATED CU WIRE WITH 08	40			40	40
POWER CABLE/ WIRES	SIZE IN SQ.MM	6		10	LIGHT POINTS		4	4
	NO. OF RUNS/CORES	4R	4C	4C			4R	4R
	TYPE OF CABLE	Cu	AYFY	AYFY			Cu Wire	Cu Wire
LENGTH IN METERS	10	25	08	30			35	
SIZE OF EARTH COND. [Cu]	No.8 SWG	No. 10 SWG	1x2.5SQ. MM PVC INSULATED GREEN CU WIRE.	No. 10SWG			4 Sq.mm	4 Sq.mm
LOCATION	Electrical Room	Banking Hall		Electrical Room			Banking Hall	Banking Hall
REF. DRAWING NO:	08	06		07	05	05		

SL.	SYMBOL	DESCRIPTION	QUANTITY

FOR CONTRACTOR

FOR ARCHITECT

FOR CLIENT

MANAGER  
FOR CANARA BANK PANAVELI

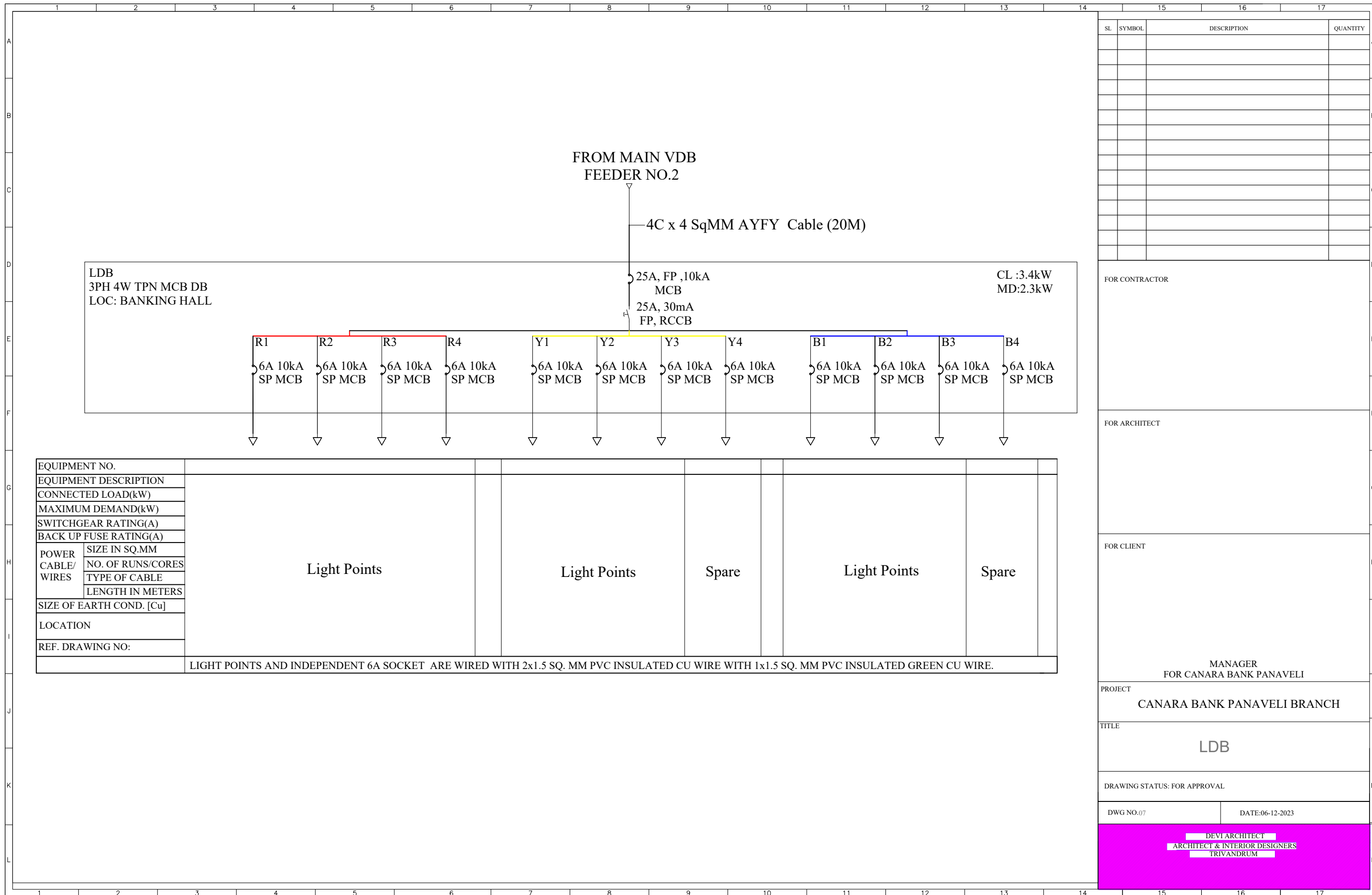
PROJECT  
CANARA BANK PANAVELI BRANCH

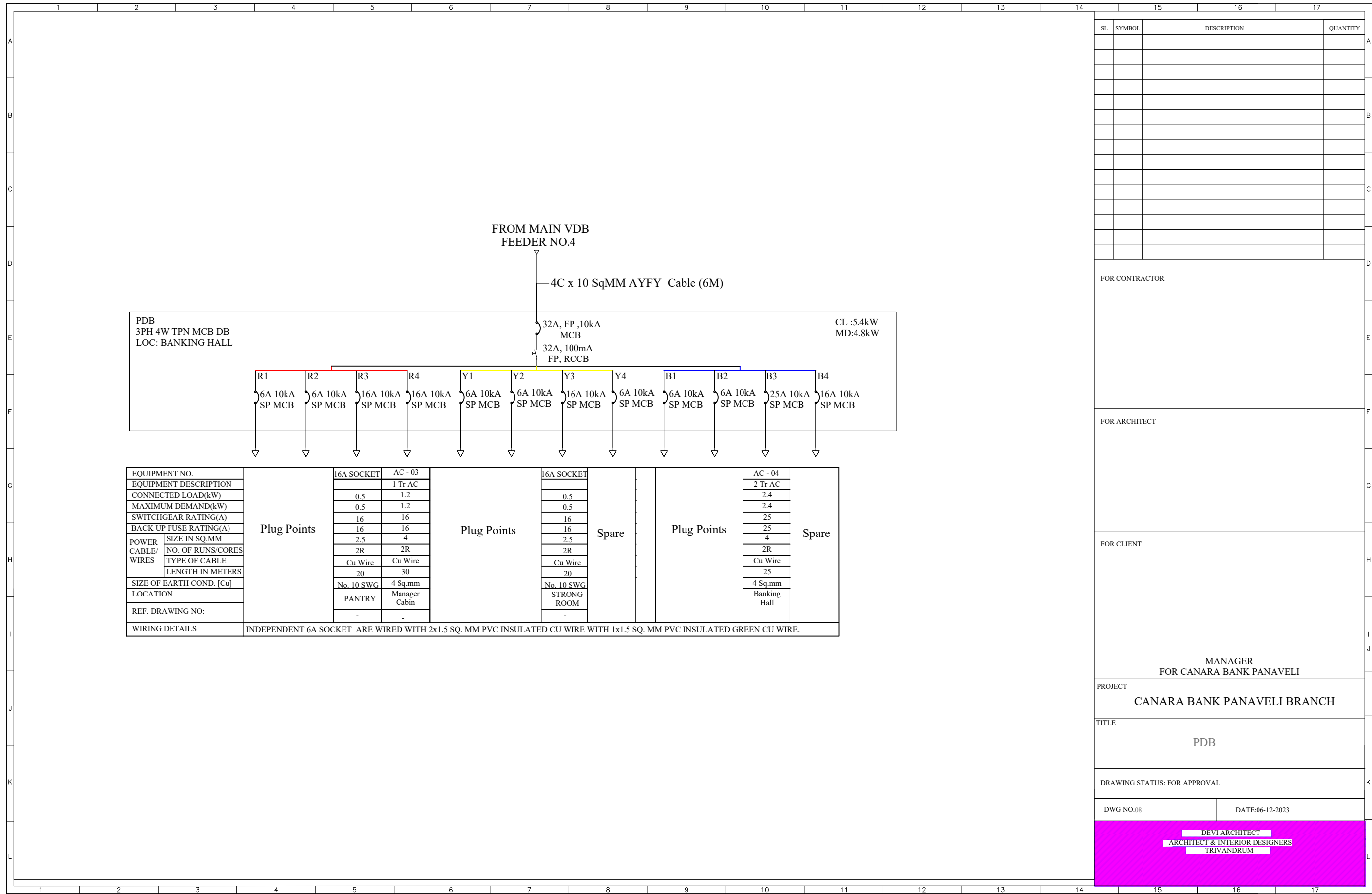
TITLE  
MAIN VDB

DRAWING STATUS: FOR APPROVAL

DWG NO.06      DATE:06-12-2023

DEVI ARCHITECT  
ARCHITECT & INTERIOR DESIGNERS  
TRIVANDRUM





SL	SYMBOL	DESCRIPTION	QUANTITY

FOR CONTRACTOR

FOR ARCHITECT

FOR CLIENT

MANAGER  
FOR CANARA BANK PANAVELI

PROJECT  
CANARA BANK PANAVELI BRANCH

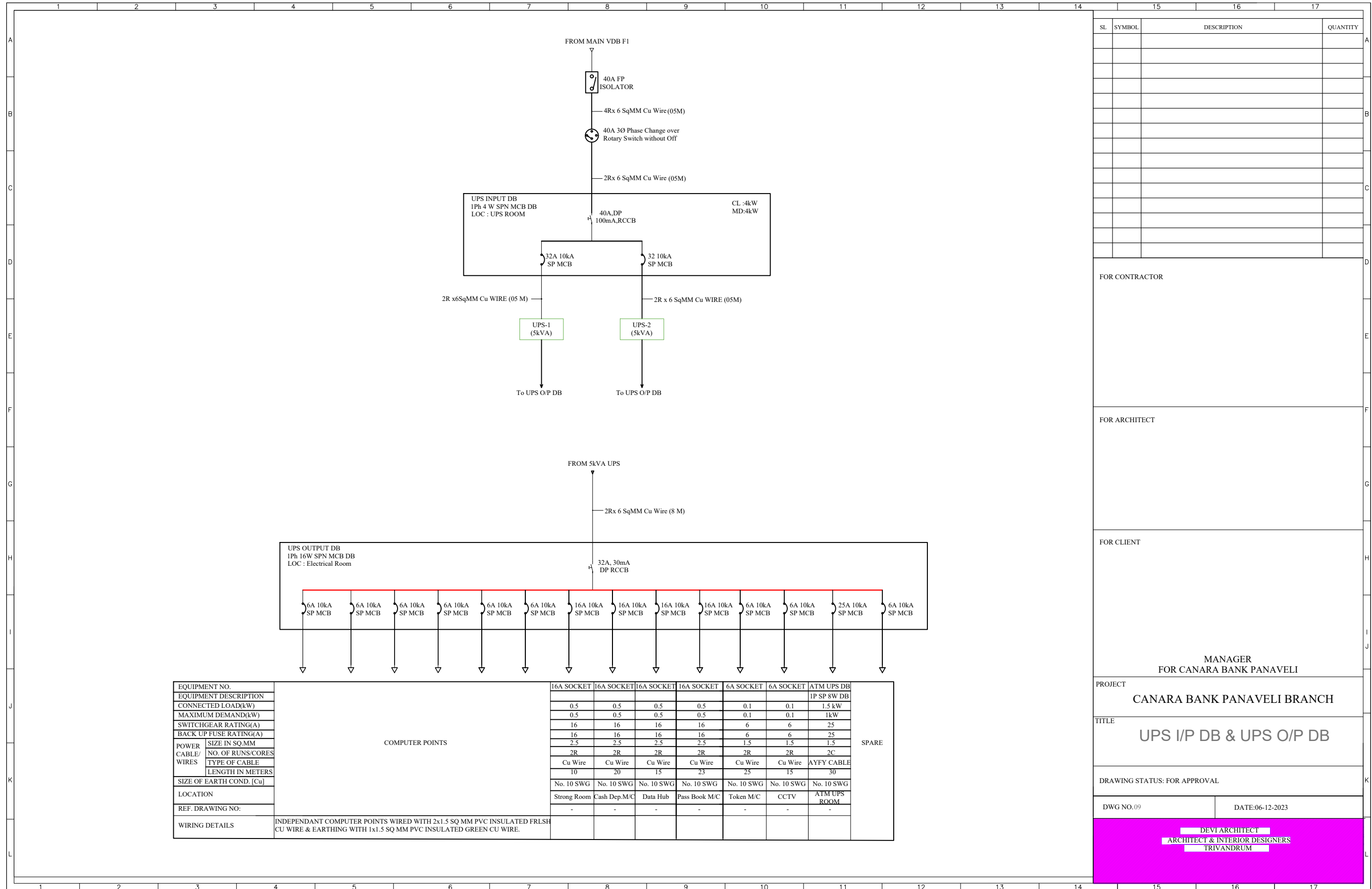
TITLE  
PDB

DRAWING STATUS: FOR APPROVAL

DWG NO.08      DATE:06-12-2023

DEVI ARCHITECT  
ARCHITECT & INTERIOR DESIGNERS  
TRIVANDRUM





SL	SYMBOL	DESCRIPTION	QUANTITY

FOR CONTRACTOR

FOR ARCHITECT

FOR CLIENT

MANAGER  
FOR CANARA BANK PANAVELI

PROJECT  
CANARA BANK PANAVELI BRANCH

TITLE  
UPS I/P DB & UPS O/P DB

DRAWING STATUS: FOR APPROVAL

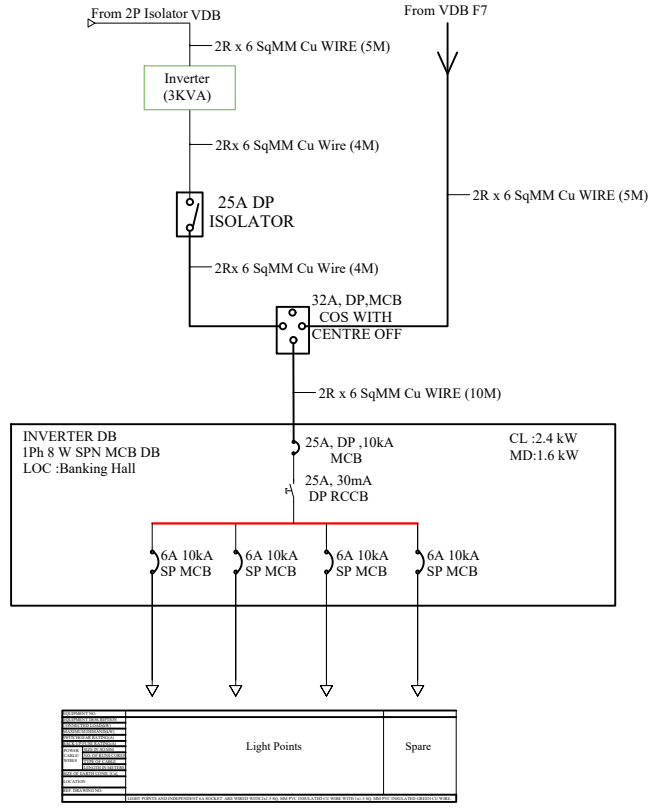
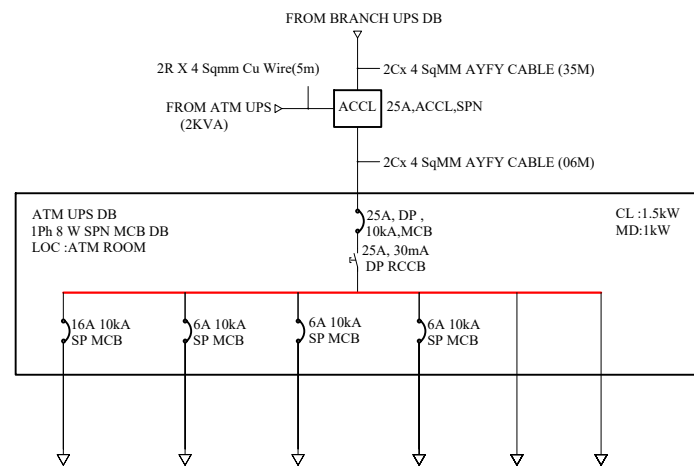
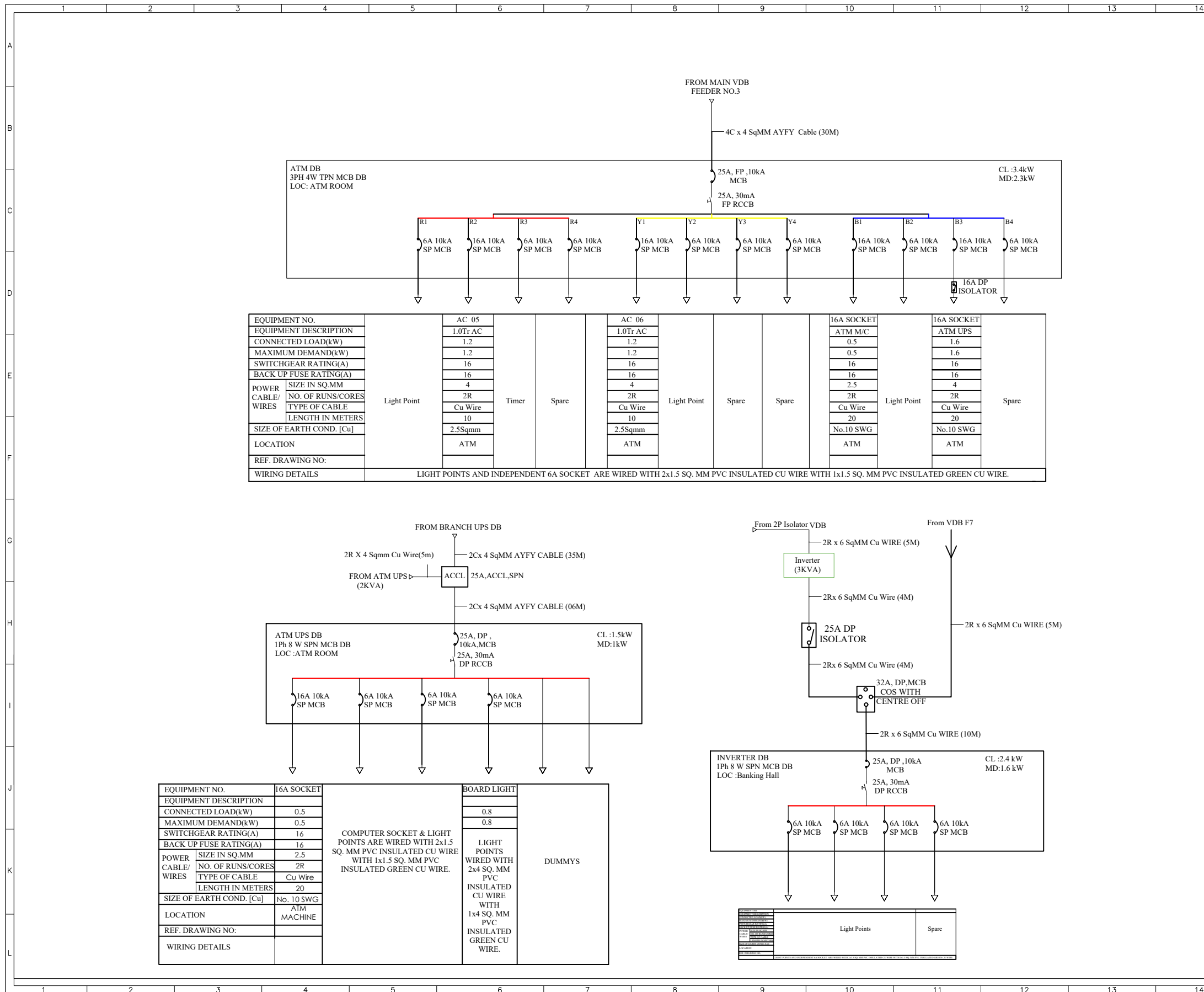
DWG NO.09          DATE:06-12-2023

DEVI ARCHITECT  
ARCHITECT & INTERIOR DESIGNERS  
TRIVANDRUM

EQUIPMENT NO.	EQUIPMENT DESCRIPTION	16A SOCKET	16A SOCKET	16A SOCKET	16A SOCKET	6A SOCKET	6A SOCKET	ATM UPS DB
		0.5	0.5	0.5	0.5	0.1	0.1	1P SP 8W DB
		0.5	0.5	0.5	0.5	0.1	0.1	1.5 kW
		16	16	16	16	6	6	1kW
		16	16	16	16	6	6	25
		2.5	2.5	2.5	2.5	1.5	1.5	25
		2R	2R	2R	2R	2R	2R	1.5
		Cu Wire	2R	Cu Wire	2R	Cu Wire	2R	2C
		10	20	15	23	25	15	AYFY CABLE
		No. 10 SWG	No. 10 SWG	No. 10 SWG	No. 10 SWG	No. 10 SWG	No. 10 SWG	No. 10 SWG
		Strong Room	Cash Dep./M/C	Data Hub	Pass Book M/C	Token M/C	CCTV	ATM UPS ROOM
		-	-	-	-	-	-	-

COMPUTER POINTS          SPARE

WIRING DETAILS: INDEPENDANT COMPUTER POINTS WIRED WITH 2x1.5 SQ MM PVC INSULATED FRLSH CU WIRE & EARTHING WITH 1x1.5 SQ MM PVC INSULATED GREEN CU WIRE.



EQUIPMENT NO.	16A SOCKET		BOARD LIGHT	
EQUIPMENT DESCRIPTION		COMPUTER SOCKET & LIGHT POINTS ARE WIRED WITH 2x1.5 SQ. MM PVC INSULATED CU WIRE WITH 1x1.5 SQ. MM PVC INSULATED GREEN CU WIRE.	LIGHT POINTS WIRED WITH 2x4 SQ. MM PVC INSULATED CU WIRE WITH 1x4 SQ. MM PVC INSULATED GREEN CU WIRE.	DUMMYS
CONNECTED LOAD(kW)	0.5		0.8	
MAXIMUM DEMAND(kW)	0.5		0.8	
SWITCHGEAR RATING(A)	16			
BACK UP FUSE RATING(A)	16			
POWER CABLE/ WIRES	2R			
SIZE IN SQ.MM	2.5			
NO. OF RUNS/CORES	2			
TYPE OF CABLE	Cu Wire			
LENGTH IN METERS	20			
SIZE OF EARTH COND. [Cu]	No. 10 SWG			
LOCATION	ATM MACHINE			
REF. DRAWING NO:				
WIRING DETAILS				

SL	SYMBOL	DESCRIPTION	QUANTITY

FOR CONTRACTOR

FOR ARCHITECT

FOR CLIENT

MANAGER  
FOR CANARA BANK PANAVELI

PROJECT  
**CANARA BANK PANAVELI BRANCH**

TITLE  
**ATMDB, ATM UPS DB & INVERTER DB**

DRAWING STATUS: FOR APPROVAL

DWG NO.10      DATE:06-12-2023

DEVI ARCHITECT  
ARCHITECT & INTERIOR DESIGNERS  
TRIVANDRUM