

# TENDER DOCUMENT

## NAME OF WORK

**FURNISHING WORK OF CANARA BANK, BIKRAMGANJ  
(4191) BRANCH & ATM**

## OWNER

**CANARA BANK**

## ARCHITECT/CONSULTANT

**M/S Artcon Design Consultants  
Laxmi Palace, G 04 Mitra Compound  
Boring Road  
Patna 800001**

**Ph: 9931723771**

## Issued by

**PREMISES & ESTATE SECTION  
GROUND FLOOR, LUV KUSH TOWER  
EXHIBITION ROAD**

**PATNA – 800 001**

**Ph. 0612 – 23 23 405**

**Email: [premisescopat@canarabank.com](mailto:premisescopat@canarabank.com)**

## NOTICE OF INVITATION OF TENDER

**PREMISES & ESTATE SECTION: PATNA CIRCLE OFFICE  
4 TH FLOOR, LUV KUSH TOWER, EXHIBITION ROAD, PATNA -800001**

INVITES SEALED TENDER FROM EMPANELLED FURNISHING CONTRACTORS UNDER RESPECTIVE CATEGORY HAVING SOUND TECHNICAL AND FINANCIAL CAPACITY FOR THE WORKS MENTIONED BELOW:

**1). THE WORK OF : FURNISHING WORK OF CANARA BANK, CANARA BANK, BIKRAMGANJ (4191) BRANCH & ATM**

**2). EMD AMOUNT : NIL.**

**4). TIME OF : 45 days in work order subject to extension of 15 days with proper reason after the date of written order.**

5). CONTENTS OF THE TENDER : (A) SCHEDULE OF QUANTITIES WITH SPECIFICATIONS  
: (B) LAYOUT OF THE BRANCH PREMISES

6).CONCEPT OF TENDER : ITEM RATE CONTRACT

**7) TENDER ISSUING FEE : Rs.200/-**

**8) DATE OF ISSUE: 24.05.2024 to 31.05.2024 up to 1.00 PM**

**9).DATE OF SUBMISSION : SEALED ENVELOPES TO BE SUBMITTED LATEST BY 31.05.2024 BEFORE 2.00 PM**

**10). DATE OF OPENING : 31.05.2024 AT 3.00 PM**

TENDER DOCUMENT ISSUED TO:

DATE: 24.05.2024

SIGNATURE OF ISSUING AUTHORITY

**LIST OF FURNISHING MATERIALS FOR CANARA BANK**

Description of material	Make of material
Plywood BWP	Century (Sanik) / Green (Ecotec)/Archid / Bhutan Tuff
Laminates	Greenlam / Century / Sunmica. /Merino
Block board BWP	Century / Archid / Green / Marino
Soft Board (pin up board)	Jolly board, Western India plywood .
Gyp. board	India gypsum/ Saint Gobain/ Armstrong/ Gyproc India
Metal ceiling	Luxelon, Superseal, Trident, Armstrong .
Horizontal blinds	Vista, Marvel
Screws	GKW / Nettle fold / STAG.
Brass hinges	Reliance / Punit heavy duty.
Hardware/ handles	Shalimar, Everite / Reliance (brass powder coated)
Drawer shutter lock	Dorset,Ebco , Godrej (3 set of keys).
Ball catch	Magnetic (M-2) / Brass or.
Door lock	Godrej,Dorset,Ebco, Ultra/ Link
Veneer	DURO / Durian / Century/GREEN.
Adhesives	Fevicol (SH), Mowicoll, Mahacol, Araldite.
Wood preservatives	Bison by British Paints / Termiseal by ICI/DURSBAN TC / MONTARI.
Door closure	Efficient gazets, Dorma, Everite Hyper ,Godrej.
Glass	Modi / Emirates/Triveni / Hindustan Palington / Asahi / Saint Gobain.
Glass tinted	Same as above.
Melamine Polish	Asian paint, MRF, Nerolac
Telescopic Channel	Ebco/Godrej/Hetich
Paint	ICI, Burger, Nerolac, Asian, Dulox
AC grill	Air products, Omicron, Patrawala
Aluminum Door & window sections, partition section	Ajit India / Jindal / Indal / Bhansali.
Floor springs	Dorma / Hemco / Ozone .

Note: All materials shall confirm to IS / BIS respective numbers.

- BWP ply shall conform to IS 303.
- Marine ply shall conform to IS 710.
- Block Board shall conform to IS 1659.

## **GENERAL RULES AND INSTRUCTIONS FOR THE GUIDANCE OF TENDERER**

1. Sealed Tenders are invited from EMPANELLED CONTRACTORS, on behalf of Canara Bank, hereinafter known as the Employer and also as Bank, for carrying out the work of FURNISHING WORK OF CANARA BANK, BIKRAMGANJ (4191) BRANCH & ATMs per the specifications and the drawings furnished by the Bank.

**The work estimated cost as Rs.11.11 lacs informed by Bank in respective tender.**

The site for the works is CANARA BANK, BIKRAMGANJ (4191) BRANCH & ATM is available for immediate commencement of work or shall be made available on the date of commencement of the works.

2. Contract document consists of Notice inviting the tender ( NIT ) , General rules and instructions for the guidance of the tenderer, General conditions of the contract, Schedule of quantities with specifications, Tender Drawings , Form of tender, Form of agreement and Approved makes to be complied by the CONTRACTOR.

The Tender documents are issued to the prequalified contractors on payment of **Rs.200/-** in cash at the office of the Manager , Premises & Estate Section, Circle Office, 3<sup>RD</sup> floor, Luv Kush Tower, Exhibition Road, Patna. No other mode of payment is accepted. Tender documents shall not be sent through post. Contractors are requested to obtain the same in person or through their authorized representative.

3. Tenders, which should always be placed in sealed cover, with the name of the work / project written on the envelope will be received by the Assistant General Manager, Canara Bank, Premises & Estate Section, Circle Office,- Patna.

The tenders received after the last **date** and **time** stipulated for submission of the tenders shall be rejected.

The Bank shall not be responsible for any delay in receipt of the tenders received by post or courier. Therefore the tenderer shall ensure that his tenders are submitted well in advance.

4. The time allowed for carrying out the work will be **45 days in work order subject to extension of 15 days with proper reason if acceptable to bank after the date of written order or any changes as informed by Bank in respective tender.**

### **Penalty for delay in completion of work**

- a. For every 1 day of delay after :: Rs. 500  
 stipulated completion time (Maximum up to 10% of contract value)

5. **The tenderer should quote the rate in figures as well as in words and amount tendered by them. The amount for each item should be worked out and the requisite totals be given. The rate should be quoted after considering all discounts, no additional discount should be quoted. The tender quoted additional discounts shall be liable to be rejected.**

The rates quoted shall be inclusive of rates for the item of work described, including materials, labor, tools & plant, carriage & transport, supervision overheads & profits, mobilizing and other charges, taxes, whatsoever including any anticipated or un-anticipated difficulties etc. complete for proper execution of the work as per drawings and specifications and claim whatsoever for any extra payment shall not be entertained.

6. When a tenderer signs a tender in an Indian language the tendered amount and the total amount tendered should also be written in the same language. In the case of illiterate tenderers, the rates and the amounts tendered should be attested by a witness.

7. **EARNEST MONEY DEPOSIT (EMD) amounting to NIL by way of Demand Draft of a Nationalized / Scheduled Bank drawn in favor of "Premises and Estate section, Canara Bank Circle Office, Patna ", payable at Patna must accompany each tender. Alternatively, a Bank Guarantee for the above amount valid for four months from a Bank other than Canara Bank can also be submitted. No interest shall be allowed on the Earnest Money. Tenders without Earnest Money shall be liable for rejection.**

8. The acceptance of a tender will rest with the Employer that does not bind itself to accept the lowest tender, and reserves its right to accept or to reject any or all of the tenders received without assigning any reason.

All tenders in which any of the prescribed conditions are not fulfilled or are incomplete in any respect are liable to be rejected.

THE BANK RESERVES THE RIGHT TO ACCEPT THE TENDER IN FULL OR IN PART AND THE TENDERER SHALL HAVE NO CLAIM FOR REVISION OF RATES or OTHER CONDITIONS IF HIS TENDER IS ACCEPTED IN PARTS.

The Bank does not bind itself to accept the lowest or any tender and reserves to itself the right of accepting the whole or any part of the tender and the tenderer shall be bound to perform the same at the rate quoted.

9. Canvassing in connection with tenders is strictly prohibited and the tenders submitted by the tenderers who resort to canvassing will be liable for rejection.
10. All rates shall be quoted on the proper form of the tender alone. Quoted rates and units different from prescribed in the tender schedule will be liable for rejection.
11. Special care should be taken to write the rates in figures as well as in words. The total amount should be written both in figures and in words. In case of figures, the words `Rs.' should be written before the figure of rupees and words `P' after the decimal figures, e.g. Rs.2.15 "P" and in case of words, the word `Rupees' should precede and the word `Paise' should be written at the end, unless the rate is in whole rupees and followed by the words `only' it should be invariably be up to two decimal places. While quoting the rate in schedule of quantities, the word `only' should be written closely following the amount and it should not be written in the next line. However, if a discrepancy is found.
  - i). the rates which correspond with the amount worked out by the tenderer shall unless otherwise proved be taken as correct. (OR)
  - ii). if the amount of an item is not worked out by the tenderer or it does not correspond with the rates written either in figures or in words then the rate quoted by the tenderer in words shall be taken as correct. (OR)
  - iii). where the rates quoted by the tenderer in figures and in words tally but the amount is not worked out correctly, the rates quoted by the tenderer will unless otherwise prove be taken as correct and not the amount.
12. All corrections such as cuttings, interpolations, omissions and over-writings shall be number as `c', `i', `o' and `ow' and initialed and total of such c, i, o and ow on each page certified at the end of the page with grand total at the end of the bill/schedule of quantities.
13. Sales tax, work contract tax, Value added tax or any other tax, any royalties, duties, levies, cess, entry tax, Octroi, profession tax, Sales Tax, purchase tax, turnover tax, or any other tax on material or finished work in respect of this contract shall be payable by the tenderer and the Employer will not entertain any claim whatsoever in respect of the same, and nothing extra shall be paid/reimbursed for the same subsequently.
14. The tenderer shall give a list of his relatives, if any, working with the Employer along with their designations and addresses.
15. No employee of the employer is allowed to work as a tenderer for a period of two years of his/her retirement from the employer services, without the previous permission of the employer. This contract is liable to be canceled if either the tenderer or any of his employees is found at any time to be such a person who had not obtained the permission of the employer as aforesaid before submission of the tender or engagement in the tenderer's service.
16. The tender for the works shall remain open for acceptance for a period of 90 days from the date of opening of tenders. If any tenderer withdraws his tender before the said period or makes any modifications in the terms and conditions of the tender that are not acceptable to the Employer, then the Employer shall, without prejudice to any other right or remedy, be at liberty to forfeit full value of the earnest money as aforesaid & remove the firm from Bank's empanelment list.
17. The tender for the work shall not be witnessed by a tenderer or contractors who himself / themselves has / have tendered or who may and had/have tendered for the same work. Failure to observe this condition would render tenders of the contractors tendering as well as witnessing the tender liable to summary rejection.
18. It will be obligatory on the part of the tenderer to tender and sign the tendered documents for the entire component parts, all pages and that, after the work is awarded, he / they will have to enter into an agreement for each component with the competent authority of the Employer.
19. Further the tenderer shall agree that until a formal agreement on stamp paper is prepared and signed, this tender shall constitute a binding contract between the tenderer and the Employer.
20. The tenderer, apart from being a competent contractor must associate himself with agencies of appropriate class who are eligible to tender for related work connected directly or indirectly with the contract and employed by the employer.
21. Tenderers are advised to inspect and examine the site and its surroundings and satisfy themselves before submitting their tenders as to the nature of the site and dimensions, the means of access to the site, and obtain all necessary information as to risks, contingencies and other circumstances which may influence or affect their tender. A tenderer shall be deemed to have full knowledge of the site whether he inspects it or not and no extra charges consequent on any misunderstanding or otherwise shall be allowed. Submission of a tender by a tenderer implies that he has read this notice and all other contract documents and has made himself aware of the scope and specifications of the work to be done and local conditions and other factors bearing on the execution of the work.

22. On acceptance of the tender, the name of the accredited representative(s) of the contractor who would be responsible for taking instructions from the Employer shall be communicated to the Employer.
23. All the contents of the Tender document shall form a part of the contract document. The successful tenderer/contractor, on acceptance of his tender by the Accepting Authority, shall within 7 days from the date of acceptance, sign on a stamp paper the contract consisting of :-
  - (a) Standard form of Agreement on stamp paper.
  - (b) Notice inviting tender, all the components and documents including tender drawings, if any, forming the tender as issued at the time of Invitation of tender and acceptance thereof together with any correspondence leading thereto. General Conditions, Schedules leading to Technical Specification, Special Conditions, Tender drawings, Technical Brochures in schedules submitted by the tenderer etc.
  - (c) Price Bid / Schedule of Quantities with rates.
24. **The Furnishing vendor will be the prime coordinator with Electrical, LAN Cabling, CCTV, Fire & Burglar Alarm etc. vendors for timely completion of the work. The Furnishing vendor has also to coordinate with Branch Incharge for Civil work, UPS shifting etc.**
25. **The lowest bidder has to purchase Stamp Paper of Rs.1000.00 and enter into an agreement with bank.**
26. **The work is to be executed as per 3D drawing/Design provided by the architect (Page 24-27).**

for & on behalf of the Employer.

Signature of the Competent Authority.

Signature of the Tenderer  
with Name, Constitution & Seal.

**(II) TENDER - OFFER**



I/We have read and examined the Notice Inviting Tender, General Rules and Instructions, General Conditions of Contract, Specifications, Schedule of quantities, drawings and all other documents referred to in the conditions of contract and all other contents in the tender document for the work.

I/We hereby tender for the execution of the work specified for the Employer within the time specified at the rates specified in the schedule of quantities and in accordance in all respects with the specifications, designs drawings and instructions in writing referred to in the General Rules and Instructions, General Conditions of Contract and in all respects in accordance with, such conditions so far as applicable.

I/We agree to keep the tender open for ninety days from the due date of submission thereof and not to make any modifications in its terms and conditions. A sum of Rs.-----`.....is hereby forwarded as earnest money in form of Demand Draft of ..... (Name of the issuing Schedule Bank) bearing no ..... and date .....

In the event of my / our failure to commence the work on the specified date after award I/We agree that the Bank shall without prejudice to any other right or remedy, be at liberty to forfeit the said earnest money absolutely otherwise the said earnest money shall be retained by it towards security deposit to execute all the works referred to in the tender documents upon the terms and conditions contained or referred to therein.

I/We agree that should I/We fail to deposit the full amount of initial security deposit and/or fail to commence the work specified in the above memorandum, an amount equal to the amount of the earnest money shall be absolutely forfeited to the Employer and the same may at the option of the Employer without prejudice to any other right or remedy available in law.

I/We hereby declare that I/We treat the tender documents, drawings and other records connected with the work as secret/confidential documents and shall not communicate information/derived there from to any persons other than a person to whom I/We am /are authorized to communicate the same or use the information in any manner prejudiced to the safety of the State / the Employer.

I/We fully understand that you are not bound to accept the lowest or any tender you may receive.

I/We agree that until a formal agreement on stamp paper is prepared and signed, this tender with your written acceptance thereof shall constitute a binding contract between us.

Dated the: .....day of 2024

Signature of Tenderer

Name & address:

Full Postal Address including Pin Code No. & Telephone No.

WITNESS:

1.

2.

**(III) ACCEPTANCE**



The above tender (as modified by us or negotiations as provided in the letters mentioned hereunder) is accepted by me for and on behalf of the Employer for a sum of Rs. \_\_\_\_\_ (Rupees \_\_\_\_\_)

The letters referred to below shall also form part of this contract agreement:

a)

b)

c)

Dated this \_\_\_\_\_ day of 2024 \_\_\_\_\_

For & on behalf of the Employer

Signature : \_\_\_\_\_

Designation: \_\_\_\_\_



Except where provided for in the description of the individual items in the schedule of quantities and in the specifications and conditions laid down hereinafter and in the Drawings, the work shall be carried out as per standard specifications and under the direction of the Employer.

## 1. DEFINITIONS / INTERPRETATIONS:

- i. The 'Contract' means the documents forming the tender and acceptance thereof and the agreement duly executed between the Employer and the Contractor, together with the documents referred to therein including those conditions, the specifications, schedule of quantities, tender agreement, designs, drawings and instructions issued from time to time by the Engineer-in-Charge. All these documents taken together, shall be deemed to form one contract and shall be complementary to one another.
- ii. In the contract, the following expressions shall, unless the context otherwise requires, have the meanings, hereby respectively assigned to them :-
  - a) The 'Tenderer' or 'Supplier' or 'Contractor' shall mean the individual Kartha, or Manager of HUF, firm or Company, whether incorporated or not, undertaking the works and shall include the legal heirs/representatives of such individual or the partners composing firm and their legal heirs and successors, or company's authorised and constituted attorneys/agents and permitted assignees of such firm or company.
  - b) The 'Employer' or 'Bank' means any officer of the Canara Bank, who is specifically authorised to enter into contracts in respect of the above works.
  - c) The 'Engineer-in-Charge' means the Senior Manager, or Officer, / Engineer and/or Site Engineer who shall supervise and be in-charge of the work or any other authorised representative or person specifically deputed by the Employer and / or the Consultants wherever they are employed from time to time by the Employer.
  - d) "Engineer-in-Charge/Consultant/Architect": This term shall mean any authorized representative or person specifically deputed by the Employer wherever they are employed from time to time by the Employer.
  - e) 'Contract Price' shall mean the final accepted rates in the Price Bid hereto.
  - f) 'Date of Contract' means the 'Calendar date on which the Employer and Contractor have signed the Agreement on the Stamp Paper.
  - g) "Accepting Authority" shall mean The Deputy General Manager of the Canara Bank (the Employer).
  - h) 'Approval' wherever used in the specifications or schedule of Quantities shall mean, respectively, approved by or approval of the 'Accepting Authority' in writing.
  - i) 'Appellant Authority' shall mean The General Manager, of the Bank ( the Employer ). Who shall also be the authority to consider any extension of time or compensation as defined in clause hereunder.
  - j) 'Notice in writing' or 'written notice' shall mean a notice in writing typed or printed characters delivered to or sent by registered post to the last known address private or business address or registered office address, and shall be deemed to have been received when in ordinary course of post it would have been delivered, and/or delivered personally, or otherwise proved to have been received.
  - k) 'virtual completion' shall mean that the work/installation is complete in all respects in the opinion of the Employer and for which the completion/clearance certificate has been issued by the Engineer -in-charge / Consultant and the installation is fit for usage.
  - l) 'Drawings' shall mean all drawings and/or design drawings furnished by the contractor / sketches duly signed by the authorised Engineer-in-charge or the Consultant on behalf of the Employer before commencement or during the progress of the work.
  - m) 'Letter of Acceptance' shall mean an intimation by a letter issued by the Accepting Authority of the Employer to tenderers that his tender has been accepted in accordance with the provisions in the said letter.

**"Defect Liability Period" shall mean a period of 12 months from the certified date of virtual completion issued by the Consultant/Engineer-in-charge and accepted by the Employer.**

- n) "Schedule of quantities" shall mean the schedule of quantities as specified and forming part of this contract.
- o) "Priced Schedule of Quantities" shall mean the schedule of quantities duly priced with the accepted quoted rates of the contractor.
- p) "The work" shall mean the work or works to be executed or done under this contract.
- q) "Act of Insolvency" shall mean any act defined by the Presidency Towns Insolvency Act or in Provincial insolvency Act or any amending statutes.

2. **SCOPE OF WORKS TO BE CARRIED OUT:** The work consists of Interior and FURNISHING works in accordance with the "drawings" and "schedule of quantities". It includes providing all the materials, wastage of material, labour, transport, tools & equipments and management necessary for and incidental to the completion of the work. All work during its progress and upon completion shall conform to the lines, elevations and grades as shown on the drawings furnished by the Employer. Should any detail essential for efficient completion of the work be omitted from the drawings and specifications it shall be the responsibility of the contractor to inform the employer so that upon completion of the work the same will be acceptable and ready for use.

If there are varying or conflicting provisions made in any one or more document(s) forming part of the contract, the Accepting Authority shall be the deciding authority with regard to the intention of the document and his decision shall be final and binding on contractor.

Any error in description or quantity or rate in Schedule of Quantities or any omission therefrom shall not vitiate the Contract or release the contractor from the execution of the whole or any part of the works comprised therein according to drawings and specifications or from any of his obligations under the Contract.

Employer or their authorized representative may in their absolute discretion issue further drawings and/or written instructions, details, directions & explanations which are, hereafter collectively referred to as "The employer's instructions" in regard to:

- a) The variation or modification of the design quality or quantity of works or the addition or omission or substitution of any work.
- b) Any discrepancy in drawings or between the schedule of quantities and/or drawings and/or specifications.
- c) The removal from the site of any defective material brought thereon by the contractor and substitution of any other material thereof.
- d) The demolition, removal and re-execution of any work executed by the contractor/s.
- e) The dismissal from the work of any persons employed thereupon.
- f) The opening up for inspection of any work covered up.
- g) The rectification and making good of any defects under clauses hereinafter mentioned and those arising during the defect liability period(retention period).

The contractor shall forthwith comply with and duly execute any work comprised in such Employer's or his agent/Engineers instructions, provided always that verbal instructions, directions and explanations given to the contractor or his representative upon the works by the employer or his agent shall, if involving a variation, be confirmed in writing to the contractor/s within seven days. No works for which rates are not specifically mentioned in the priced schedule of quantities, shall be taken up without written permission of the employer or his agent. Rates of items not mentioned in the priced schedule of quantities shall be fixed by the employer as provided in clause "variation".

Regarding all factory made products for which ISI marks are available, only products bearing ISI marking shall be used in the work.

Materials of approved makes as prescribed in tender shall only be used and also colours to be as advised by the employer.

3. **TENDERER SHALL VISIT THE SITE:** The Tenderer shall visit the site and make himself thoroughly acquainted with the local site conditions, nature and requirements of the works, facilities of transport condition, effective labor and materials, access and storage for materials and removal of rubbish. Tenderer shall provide in their tender for cost of carriage, freight and other charges as for any special difficulties and including the police restriction for transport etc. For proper execution of works as indicated in the drawings. The successful tenderer will not be entitled to any claim of compensation for difficulties faced or losses incurred on account of any site condition which existed before the commencement of the work or which in the opinion of the Employer or his agent/engineer might be deemed to have reasonably been inferred to be so existing before commencement of work.
4. **TENDERS:** The entire set of tender paper issued to the tenderer should be submitted fully priced and also signed on the last page together with initials on every page. Initials/signature will indicate the acceptance of the tender papers by the tenderer (Also see General Rules and instructions for the guidance of Tenderers).

The schedule of quantities shall be filled as follows

- a) The "Rate" column to be legibly filled in ink in both English figures and English words.
- b) Amount column to be filled in for each item and the amount for each subhead as detailed in the schedule of quantities.
- c) All corrections to be initialed.
- d) The "Rate" column for alternative items shall be filled up.
- e) The "Amount" column for alternative items of which the quantities are not mentioned shall not be filled up.
- f) In case of any errors/omissions in the quoted rates, the rates given in the tender marked "Original shall be taken as correct Rates.

No modifications, writings or corrections can be made in the tender papers by the tenderer, but he may at his option offer his comment modifications in a separate sheet of paper attached to original te papers.

The employer reserve the right to reject the lowest or any tender and also to discharge any or all of the tenders for each section or to split up and distribute any item of work to any specialist firm or firms, without assigning any reason.

The tenderers should note that the tender is strictly on item rate basis and their attention is drawn to the fact that the rates for each and every item should be correct, workable and self-supporting. If called upon by the Employer / Consultant, detailed analysis of any or all the rates shall be submitted. The Employer / Consultant shall not be bound to recognize the contractor's analysis.

The works will be paid for as "measured work" on the basis of actual work done and not as "lump sum" contract, unless otherwise specified.

All items of work described in the schedule of quantities are to be deemed and paid as complete works in all respects and details including preparatory and finishing works involved, directly, related to and reasonably detectable from the drawings, specifications schedule of quantities and no further extra charges will be allowed in this connection. In the case of lump-sum charges in the tender in respect of any item of works, the payment such items of work will be made for the actual work done on the basis of lump-sum charges as will be assessed to be payable by the Employer/Consultant.

The Employer has power to add to, omit from any work as shown in the drawings or described in the specifications or included in schedule of quantities and intimate the same in writing but no addition, omission or variation shall be made by the contractor without authorization from the Employer. No variation shall vitiate contract. Please also refer Para 9 hereinafter.

The tenderer shall note that his tender shall remain open for consideration for a period of **90 days** from the date of opening of the tender.

5. **AGREEMENT:** The successful contractor, shall be required to sign the contract agreement, the proforma of which is enclosed and shall pay for all stamps and legal expenses, incidental thereto.

6. **PERMITS AND LICENSES:** Permits and licenses for release of materials or its purchases which are under Government control will be arranged by the contractor. The employer will render necessary assistance, Sign any forms or applications that may be necessary.

It may be clearly understood that no compensation or additional charges can be claimed by the contractor for non-availability of such materials in due time on this account or according to his own requirements.

The contractor may, however, be eligible to a proportionate extension of time on this account that in the opinion of the Employer is reasonable.

7. **GOVERNMENT AND LOCAL RULES:** The contractor shall conform to the provisions of all local bye-laws and acts relating to the work and to the regulations etc. of the Government and Local Authorities. The contractor shall give all notices required by the said Act, Rules, Regulations and bye-laws etc and shall indemnify the Employer against such liabilities and shall defend all actions arising from such claims or liabilities.

8. **TAXES AND DUTIES:** The tenderers must include in their tender prices quoted for all duties royalties, cess and sales tax, value added tax or any other taxes or local charges if applicable. No extra claim on this account will in any case be entertained.

The contractor shall keep necessary books of accounts and other documents for the purpose of this condition as may be necessary and shall allow inspection of the same by a duly authorised representative of the Employer and / or the Engineer-in-charge and further shall furnish such other information / document as the Employer may require from time to time.

9. **QUANTITY OF WORK TO BE EXECUTED:** The quantities shown in the schedule of quantities are intended to cover the entire works as per the drawings / scope of work, and therefore the contractor is bound to complete the works at the same quoted rates in the event of quantity exceeding the specified bill of quantity, but the Employer reserves the right to execute only a part or the whole or any excess thereof without assigning any reason therefore.

10. **OTHER PERSONS OR AGENCIES ENGAGED BY THE EMPLOYER:** The Employer reserves the right to execute any part of the work included in this contract by other agency or persons and contractor shall allow reasonable facilities and use of his facilities for the execution of such work. The main contractor shall extend all co-operation in this regard.

11. **EARNEST MONEY, RETENTION MONEY :** The contractor will have to deposit the specified amount in the form of Bank Draft drawn in favour of PREMISES AND ESTATE SECTION, CANARA BANK, CIRCLE OFFICE, PATNA at the time of submission of tender as Earnest Money. No interest shall be paid on the earnest money. The earnest money of unsuccessful tenderers will be refunded without any interest soon after the decision to award the work is taken or after the expiry of the validity period of the tender.

**Total retention money will 5 % of final bill and will be kept for a period of 12 months i.e upto Defect Liability Period.**

The Total retention money amount will be refunded to the contractor 14 days after the end of defects liability period provided he has satisfactorily carried out all the work and attended to all defects in accordance with the condition of contract. No interest is allowed on retention money. In lieu of the Total retention money, Bank Guarantee from the Bank other than Canara Bank for the period of defects liability is also accepted.

12. **CONTRACTOR TO PROVIDE EVERYTHING NECESSARY:** The contractor shall provide everything necessary except mentioned in para 42 below for the proper execution of the work according to the intent and meaning of the drawings, technical specifications, and schedule of quantities taken together whether the same may or may not be particularly shown or described therein provided that the same can be reasonably inferred there from, and if the contractor finds any discrepancies therein, he shall immediately and in writing, refer the same to the employer whose decision shall be final and binding.

The rates quoted against individual items will be inclusive of everything necessary to complete the said items of work within the contemplation of contract, and beyond the unit price no extra payment will be allowed for incidental or contingent work, labor and/or materials inclusive of all taxes and duties whatsoever except for specific items, if any, stipulated in the tender documents.

The contractor shall supply, fix and maintain at his own cost, for the execution of the work, all tools, tackles, machineries and equipments and other required facilities for execution of work including the safety aspects.

The Employer on no account shall be responsible for storage of materials or loss or pilferage or theft either in respect of the material stored or material already built and paid for by the Employer.

The contractor shall at all times give access to workers employed by the Employer.

Any facilities available at site shall be utilized only with prior permission of the Employer or the in-charge of the site / building owner and cannot be taken as granted and for such services utilized the Employer is entitled to charge. No extra charges shall be paid over and above what has been quoted for any of the above or for similar such services.

### 13. TIME OF COMPLETION, EXTENSION OF TIME & PROGRESS CHART ::

i). **Time Of Completion** : The entire work is to be completed in all respects within stipulated period. The work shall be deemed to be commenced within 07 days from the date of acceptance letter or date of handing over site whichever is later. Time is the essence of the contract and shall strictly observed by the contractor.

The work shall not be considered as complete until the Employer/ Consultant have certified in writing that the work has been virtually completed and defect liability period shall commence from the date such certificate.

ii). **Extension of Time** :: If in the opinion of the Employer **a)** by reason of any exceptionally inclement weather, or **b)** by reason of instructions from the employer in consequence of proceedings taken or threatened by or disputes with adjoining or neighbouring owners or **c)** by the works, or delay, of other contractors or trades men engaged or nominated by the employer and not referred to in the specification or **d)** by reason of authorised extra and additions or **e)** by reason of any combination of workmen or strikes or lockout affecting any of the building trades or **f)** from other causes which the employer may consider being beyond control of the contractor, the employer at the completion of the time allowed for the contract shall make fair and reasonable extension of time for completion in respect thereof. In the event of employer failing to give possession of site upon the day specified above the time of completion shall be extended suitably.

In case of such strikes or lock-outs, as are referred to above, the contractor shall, immediately give the employer, written notice thereof. Nevertheless the contractor shall use his best endeavors all that to prevent delay and shall do all that may be reasonably required to the satisfaction of the employer to proceed with the works and on his doing so that it will be ground of consideration by the employer for an extension of time as above provided.

The decision of the Employer as to the period to be allowed for an extension of time for completion hereunder ( which decision shall be final and binding on the contractor) shall be promulgated on completion of the work or at the conclusion of such events based on which the extension of time was sought by the contractor, and the Employer shall then, in the event of an extension being granted, determine and declare the final completion date. The provision in clause 14 with respect to payment of liquidated damages shall in such case, be read and construed as if the extended date fixed by the employer were substituted for and the damage shall be deducted accordingly.

iii). **Progress of Work**: During the period of work, the contractor shall maintain proportionate progress on the basis of a **program chart submitted by the contractor before the commencement of work**. Contractor should also include planning for procurement of scarce materials well in advance and reflect the same in a program chart so that there is no delay on the part of the contractor in completion of the project.

### 14. LIQUIDATED DAMAGES : Time is the essence of the contract. Hence the contractor shall be aware that non completion of the work will affect the Banks committed programs and thus the loss by way of delayed services / completion of related works etc, are valuable and cannot be easily quantified. Therefore, it is part of the agreed terms that in the event of any delay in completion of the work, the Bank is liable to charge the contractor without the necessity of providing for any details of such losses suffered by the Bank.

Hence if the work is not completed as per the contract terms or to the satisfaction of the employer within the stipulated period , the contractor shall be bound to pay to the employer a sum of amount calculated **at 1 ( one ) percent of the accepted contracted sum per week of delay subject to a ceiling of 10% of the accepted contract sum** by way of liquidated damages and not as penalty during which the work remains un-commenced or unfinished after the expiry of the completion date.

For this purpose the term `Contract sum' shall be value at the tender rates of the work as ordered / accepted.

Therefore the contractor is required to maintain progress in terms of the contract to complete the work within the stipulated period.

The Employer shall have the right to adjust/set-off against any sum payable to the contractor under this or any other contract with the Employer anywhere in India/outside India.

15. **TOOLS, STORAGE OF MATERIALS, PROTECTIVE WORKS AND SITE OFFICE REQUIREMENTS::** The contractor shall provide, fix up and maintain his establishment in an approved position at site and clear away on completion of the works and make good all works disturbed.

The contractor shall not fix or place any placards or advertisement of any description or permit the same to be fixed or placed in or upon any hoarding, gantry, building structure other than those approved by the Employer.

Tools : The odolite level, prismatic compass, steel tape ,threads and all other instruments found necessary on the works shall be provided by the contractor for the due performance of the contract as instructed by the employer.

All suitable scaffolding, ladders and stools that may be required for safe taking of the measurements shall be supplied by the contractor.

Storage of materials : The contractors shall provide and maintain proper enclosures for the storage and adequate protection of materials , tools at the space allocated for the purpose including their watch & ward arrangements shall be the responsibility of the contractor.

Protective Measures: The contractor shall make suitable arrangements for watching and protecting the works and materials. The contractor shall indemnify the employer against any possible damage to the building , roads and members of public in course of the execution of the work.

The contractor should cover in his rates for making provisions for all the above and reasonable facilities for the use of his scaffolding, tools and plant etc., for their work.

16. **NOTICE AND PATENTS OF APPROPRIATE AUTHORITY AND OWNERS:** The contractor shall conform to the provisions of any Acts of the Legislature relating to the work, and to the regulations and bye-laws of any authorities, and or other Companies (Indian or International) and / or Statutory Authorities, with whose system and design or technical knowhow are/were proposed to have connection with this work.

So also the contractor shall before making any variations from the drawings or specification that may be associated to so conform, give the Employer / Consultant written notices specifying the variations proposed to be made and the reasons for making them and apply for instruction thereon. The Employer / Consultant on receipt of such intimation, shall give a decision within a reasonable time.

The contractor shall arrange to give all notices required for by the said Acts, regulations or Bye-laws to be given to any authority, and to pay to such authority or to any public officer all fees that may be properly chargeable in respect of the work and lodge the receipts with the Employer.

The contractor shall indemnify the Employer against all claims in respect of patent rights, royalties, damages to buildings, roads or members of public in course of execution of work and shall defend all actions arising from such claims and shall keep the Employer saved and harmless and indemnified in all respects from such actions, cost and expenses.

17. **CLEARING SITE AND SETTING OUT WORKS :** The site shall be cleared of all obstructions, waste materials, rubbish of all kinds. All material damages at the site like on the walls, ceiling or flooring or on any other connected place/ equipments, materials or installations shall be re-done to maintain originality and shall be leveled at contractors own cost.

The contractors shall set out the works and shall be responsible for the true and perfect setting out the works and for the correctness of the positions, levels, dimensions and alignment of all parts thereof. If at any time, any error shall appear during the progress of any part of the work, the contractor shall at his own expenses rectify such error, if called upon to the satisfaction of the Employer.

The contractor shall further set out the works to the alternative positions at the site until one is finally approved and the rates quoted in his tender should include for this and no extra on this account will be entertained.

18. **CONTRACTOR IMMEDIATELY TO REMOVE ALL OFFENSIVE MATTERS:** All waste materials and other matters of any offensive nature shall be taken out once the works are completed. The contractor shall keep the site free from dangerous materials like industrial gases, welding machines and any such devices or material of toxic and poisonous nature & shall not carry within the site or building any material which are explosive in nature. Any such offensive materials which are essentially required in course of work shall be undertaken with due written permission of the Employer provided such materials are permissible under Law.

19. **ACCESS :** Any authorized representatives of the Employer shall at all reasonable times have free access to the works and / or to the workshops factories or other places where materials , or equipments are being fabricated or constructed for the work and also to any place where materials are lying or from where they are being obtained, and the contractor shall extend necessary facility to the Employer or their representatives for inspection examination and testing of the materials and workmanship.

Except the representatives of the Employer no person shall be allowed at any time without the written permission of the Employer.

The work shall be offered for inspection at every stage of the work and more specifically before painting, polishing and lamination.

20. **MATERIALS, WORKMANSHIP, SAMPLES, TESTING OF MATERIALS :** All the works specified and provided for in the specifications or which may be required to be done in order to perform and complete any part thereof shall be executed in the best and most workmanlike manner with materials of the best and approved quality of the respective kinds in accordance with the particulars contained in and implied by the specifications and as represented by the drawings or according to such other additional particulars, and instructions as may from time to time be given by the Employer during the execution of the work, and to his entire satisfaction.

If required by the Employer the contractor shall have to carry out tests on materials and workmanship in approved material testing laboratories or as prescribed by the Employer at his own cost to prove that the materials etc. under test conform to relevant I.S. standards or as specified in the specifications. The necessary charges for sample material, transporting, testing etc. shall have to be borne by the contractor. No extra payment on this account should in any case be entertained.

All materials required for the full performance of the work under the contract must be provided through proper channels and must include duties ,taxes octries and other charges if any and must be best of their kind available and the contractor must be entirely be responsible for proper and efficient carrying out of the works. Samples of all the materials to be used must be submitted to the Employer / Consultant when so directed by the Employer.

Should the work be suspended by any reason, the contractor shall take all precautions necessary for the protection of work and at his own expenses shall make good any damages arising from any of these causes.

21. **REMOVAL OF IMPROPER WORK :** The Employer shall during the progress of the work have power to order in writing from time to time the removal, from the work site within such reasonable time or times as may be specified in the order, of any materials which in the opinion of the Employer are not in accordance with specification or instructions, the substitution or proper re-execution of any work executed with materials or workmanship not in accordance with drawings and specifications or instructions.

In case the contractor refuses to comply with the order the Employer shall have the power to employ and pay other agencies to carry out the work and all expenses consequent thereon or incidental thereto as certified by the Employer shall be borne by the contractor or may be deducted from any money due to or that may become due to the contractor.

No certificate which may be given by the Architects/Consultants/Bank shall relieve the contractor from his liability in respect of unsound work or bad materials.

22. **SAFETY PRECAUTIONS:** The contractor shall follow all necessary safety precautions with respect to the work. All necessary safety equipments / gadgets shall be used by the workmen. The contractor shall comply and ensure the enforcement of rules and regulations relating to the safety precautions. The arrangements be made by the contractor shall be open for inspection by any statutory authorities.

23. **CONTRACTOR'S EMPLOYEES** :: The contractor shall employ technically qualified and competent supervisors for the work who shall be available (By turn) throughout the work and shall participate during site meetings and be available to take and comply with instructions of the Employer. The contractor shall employ in connection with the work persons having the appropriate skill or ability to perform their job efficiently. Any laborers supplied by the contractor to be engaged on the work on day work basis either wholly or partly under the direct order or control of the Employer or his representative shall be deemed to be a person employed by the contractor.

CHILD LABOUR: No Laborer below the age of sixteen years and who is not an Indian national shall be employed on the work.

LABOUR LEGISLATION: The contractor shall comply with the provisions of the payment of all legislation including the requirement of The payment of Wages Act, 1936, Minimum Wages Act, 1948, Employer's Liability Act, 1938, Workmen's Compensation Act, 1923, Industrial Disputes Act, 1947, Maternity Benefits Act, 1961, and the Contract Labor (Regulation and Abolition) Act 1970, Apprentices act 1961, or the modifications thereof or any other laws relating thereto and the rules made there under from time to time.

The contractor shall keep the Employer saved harmless and indemnified against claims if any of the workmen and all costs and expenses as may be incurred by the employer in connection with any claim that may be made by any workmen.

The contractor shall arrange to provide first-aid treatment to the labourers engaged on the works. He shall within 24 hours of the occurrence of any accident at or about the site or in connection with execution of the works, report such accident to the Employer and also to the Competent Authority where such report is required by law.

The contractor shall indemnify and keep indemnified the Employer against payments to be made under and for the observance of the laws aforesaid and the Contractors' Labor Regulations. The laws aforesaid shall be deemed to be a part of this contract and any breach thereof shall be deemed to be a breach of this contract.

**Compliance of Labour Regulations:** The Contractor shall at his own expense arrange for all the safety provisions for the safety of all workers and employees directly or indirectly employed on the work by the contractor.

The contractor shall be fully responsible for compliance at his own expense all the labor regulations and rules to be observed by him. The Contractor shall fully indemnify the Employer against any action by the state and/or Central Government for any default or alleged default by the Contractor, subcontractor or Employer of any of such rules and regulations. If, due to any default of the contractor or his sub-contractors, the Employer has to incur any expenditure for compliance of the rules and regulations or for any other reason connected with such default, the Employer shall be entitled to recover from the contractor all such expenditure in full from any payment due to the contractor.

24. **DISMISSAL OF WORKMEN** : The contractor shall on request of the Employer immediately dismiss from works any person employed thereon by him, who may in the opinion of the Employer be unsuitable or incompetent or who may misconduct himself. Such discharge shall not be the basis of any claim for compensation or damages against the Employer or any of their officer or employee.

25. **ASSIGNMENT** :: The whole of the works included in the contract shall be executed by the contractor and the contractor shall not directly or indirectly transfer, assign or underlet the contract or any part, share or interest therein nor, change in constitution and no subletting shall relieve the contractor from the full and entire responsibility of the contract or from active superintendence of the work during their progress.

26. **INJURY TO PERSONS AND DAMAGE TO PROPERTY - INSURANCE** ::

The Contractor shall be responsible for all injury to the work or workmen to persons, animals or things and for all damages to the structural and/or decorative part of property which may arise from the operations or neglect of himself or his employees, whether such injury or damage arise from carelessness, accident or any other cause whatsoever in any way connected with the carrying out of this contract.

The clause shall be held to include inter alia, any damages to buildings whether immediately adjacent or otherwise, and any damage to roads, streets, footpaths or ways as well as damages caused to the buildings and the works forming the subject of this contract by rain, wind or other inclemency of the weather.



The contractor shall indemnify the employer and hold harmless in respect of all and any expenses arising from such injury or damages to persons or property as aforesaid and also in respect of any claim made in respect of injury or damage under any acts of compensation or damage consequent upon such claim.

The contractor shall reinstate all damage of every sort mentioned in this clause, so as to deliver the whole of the contract works complete and perfect in every respect and so as to make good or otherwise satisfy all claims for damages to the property or third parties.

The contractor shall effect the insurance necessary and indemnify the employer entirely from all responsibility in this respect. The insurance must be placed with a company approved by the employer and must be effected jointly in the name of the contractor and the employer and the policy lodged with the latter. The scope of insurance is to include loss or damage to the work and workmen due to carelessness, accident including fire, earthquake, floods, etc., damage or loss to the contract itself till this is made over a complete state. Insurance is compulsory and must be effected from the very initial stage. The contractor shall also be responsible for anything which may be excluded from damage to any property arising out of incidents, negligence or defective carrying out of this contract.

The employer shall be at liberty and is hereby empowered to deduct the amount of any damages, compensations, costs, charges and expenses arising or occurring from or in respect of any such claim or damages from any sums due or to become due to the contractor.

Unless otherwise instructed the contractor shall insure the works and keep them insured until the virtual completion of the contract against loss or damage by fire and/or earthquake, flood. The insurance must be placed with a company approved by the Employer, in the joint names of the Employer and the contractor for such amount and for any further sum if called to do so by the employer, the premium of such further sum being allowed to the contractor as an authorized extra.

The contractor shall insure the works and keep them insured until the virtual completion of the contract against loss or damages by fire and/or earthquake, flood. The insurance must be placed with a company approved by the Employer, in the joint names of the employer and the contractor for such amount and for any further sum if called to do so by the employer and lodge receipts of premiums paid with the employer within 21 days from the date of issue of letter of acceptance unless otherwise instructed.

The contractor shall deposit the policy and receipt for premium paid with the Employer within 21 (twenty one) days from the date of issue of work order unless otherwise instructed. In default of the contractor insuring as provided above, the Employer on his behalf may so insure and may deduct the premiums paid from any money due, or which may become due to the contractor. The contractor shall as soon as the claim under the policy is settled or the work reinstated by the Insurance Company should they elect to do so, proceed with due diligence with the completion of the works in the same manner as though the fire has not occurred and in all respects under the conditions of the contract. The contractor in case of rebinding or reinstatement after fire shall be entitled to extension of time for completion as the Employer may deem fit.

27. **ACCOUNTS RECEIPTS & VOUCHERS** : The contractor shall, upon the request of the Employer furnish them with all the invoices, accounts, receipts and other vouchers that they may require in connection with the works under this contract. If the contractor shall use materials less than what is required under the contract, the value of the difference in the quantity of the materials that was required to use and that actually used shall be deducted from his dues. The decision of the Employer shall be final and binding on the contractor as to the amount of materials the contractor is required to use for any work under this contract.

28. **MEASUREMENT**:: Measurements of completed works shall be as per Bureau of Indian Standards code IS-1200 & its relevant parts.

Before taking any measurement of any work, the Employer shall give reasonable notice to the Contractor. If the contractor fails to attend at the measurements after such notice or fails to countersign or to record the difference within a week from the date of measurement in the manner required by the Employer then in any such event the measurements taken by the Employer or by the subordinate deputed by him as the case may be is final and binding on the contractor and the contractor shall have no right to dispute the same.

The measurements particularly concealable in nature shall be jointly taken and recorded and such statement of measurement shall be enclosed along the bill or running bills.

The works will be paid for as "measured work" on item rate basis ie. On actual work done. All items of work described in the schedule of quantities are to be deemed and paid as complete works in all respects and details including preparatory and finishing works involved, directly, related to and reasonably detectable from the drawings, specifications and schedule of quantities and no further extra charges will be allowed in this connection. The work shall be strictly according to the design / dimensions given in the drawings. The payment will be restricted to the design dimensions and no payment will be made due to increase in thickness/ depth/width. All the dismantling items shall be PREMEASURED and APPROVAL of the employer shall be sought before dismantling.

29. **PAYMENTS:** All bills shall be prepared by the contractor in the form agreed or furnished by the Employer based on the accepted measurements. Normally one interim bill shall be prepared each fortnight subject to minimum value of Rs 7 ( seven ) lakhs. The interim bills shall be in proper forms must be duly accompanied by detailed measurements in support of the quantities of the work done and must show deductions for all previous payments.

The Employer shall issue a certificate after due scrutiny of the contractors' bill stating the amount due to the contractor from the Employer and the contractor shall be entitled to payment thereof, within the seven days from the date of the receipt of the interim bill.

The amount stated in an interim certificate shall be the total value of work properly executed and 50% of invoiced value of material brought to site for permanent incorporation into the work up to the date of the bill less the amount to be retained by the Employer as retention money vide clause 11 of these conditions and less installments previously paid under these conditions, provided that such certificate shall only include the value of said material and goods as and from such time as they are reasonably, properly and not prematurely brought to or placed adjacent to the work and then only if adequately protected against weather or other casualties.

The Employer will deduct retention money as described in clause 11 of these conditions. The refund of retention money will be made as specified in the said clause.

All interim payments accepted by the Contractor shall be regarded as payments by way of advances against final payment only. These shall not preclude requiring of bad, unsound and imperfect or unskilled work to be rejected, removed, taken away and reconstructed or re- erected or be considered as an admission of the due performance of the contract or any part thereof in any respect or approving of any claim nor shall conclude, determined or affect in any way the power of the employer under these conditions for any of them as to the final settlement and adjustment of the accounts or otherwise or in any other way vary or affect the contract.

All payments are subject to statutory deductions of Income Tax & its Surcharge, Sales tax deductions or any other statutory deductions as notified by respective State/Central Government/Authority and any such instructions conveyed from time to time. From the interim bills, the retention money as detailed elsewhere in this tender shall also be deducted.

The final bill shall be submitted by the contractor within 1 (one) month from the date of completion of work or from the date of certification of virtual completion certified by the employer . No further claims shall be made by the contractor after submission of the final bill .

The final bill shall be accompanied by a certificate of completion from the Employer. Payments of final bill shall be made after deduction of all previous payments and Retention Money as specified in clause 11 of these conditions, which sum shall be refunded after the completion of the Defects Liability Period after receiving the Employer certificate that the contractor has rectified all defects to the satisfaction of the Employer. The acceptance of payment of the final bill by the contractor would indicate that he will have no further claim in respect of the work executed.

30. **VARIATION / DEVIATION :** The Employer shall have power to make alteration in, omissions from, additions to or substitutions for the original specifications, drawings, designs and instructions that may appear to him to be necessary or advisable during the progress of the work, and the contractor shall be bound to carry out the works in accordance with any instructions given to him in writing signed by the employer. Such alterations, omissions, additions or substitution shall form part of the contract as if originally provided therein and any altered , additional or substituted work which the contractor may be directed to do in the manner specified above as part of the works, shall be carried out by the contractor on the same conditions in all respects including price on which he agreed to do the main work except as hereafter provided.

- (a) No work which radically changes the original nature of the contract shall be ordered by the employer as a deviation.
- (b) The price of all such additional items / non tendered items will be worked out on the basis of rates quoted for similar items in the contract wherever existing or on engineering rate analysis based on prevalent fair price of labour, material and other components as required.

The tendered rates, shall hold good for any increase or decrease in the tendered quantities up to variation of 25% and as stipulated elsewhere for legitimate completion of works as per original design or scope of work and on account of any modification or alteration suggested and where the variation is for the respective item is beyond 25%, the rate for the respective item may be reviewed on mutually agreed terms.

In the event of any deviation being ordered which in the opinion of the contractor changes the original nature of the Contract, he shall within fifteen days of having been so ordered bring this to the notice of the Employer with the reasons but nevertheless carry it out and the disagreement as to the nature of work and the rate to be paid therefore shall be resolved in accordance with Clause under caption "SETTLEMENT OF DISPUTES AND ARBITRATION".

31. **SUBSTITUTION** :: Should the contractor desire to substitute any materials and workmanship, he must obtain the approval of the Employer in writing for any such substitution well in advance. In respect of Materials whose makes are not specified in the tender, specific approval of the Employer has to be obtained in writing before their usage.

32. **PREPARATORY WORK FOR UTILIZATION OF THE FACILITY AFTER COMPLETION**: The whole of the work shall be thoroughly inspected by the contractor and deficiencies & defects, if any shall be set right. On completion of such inspection, the contractor shall inform the Employer that they have completed the work and it is ready for inspection.

On completion the contractor shall clean all the area and its surroundings, equipments etc. and will leave the entire area clean and ready for immediate usage to the satisfaction of the Employer.

33. **CLEARING SITE ON COMPLETION** :: On completion of the works the contractor shall clear away and remove from the site all construction materials, plant & equipments, tools, surplus materials, scraps, rubbish and temporary works of every kind and leave the whole of the site and the works clean and in a workmanlike condition to the satisfaction of the Employer.

34. **DEFECT AFTER COMPLETION ( defect liability period )**:: The contractor shall make good at his own cost and to the satisfaction of the Employer all defects, or other faults which may appear within **12 months** after completion of the work( defect liability period). In default, the Employer may employ and pay other agency or persons to amend and make good such damages, losses and expenses consequent thereon or incidental thereto such expenses shall be made good and borne by the contractor and such damages , loss and expenses shall be recoverable from the payment due to the contractor and in the event of amount retained being insufficient, recover the balance from the contractor from the amount retained under clause No 11. together with any expenses the Employer may have incurred in connection therewith.

35. **CONCEALED WORKS** :: The contractor shall give due notice to the Employer wherever any work is to be buried or concealed in the building in the earth, flooring, walls or otherwise becoming inaccessible later on, in order that the work may be inspected and correct dimensions or measurements taken before such burial. In default whereof the same shall, in the opinion of the Employer / Consultant be either opened up for measurement at the contractors expenses or no payment may be made for such materials. Should any dispute or difference arise after the execution of any work as to measurements etc. or other matter which cannot be conveniently tested or checked, the notes of the employer shall be accepted as correct and binding on the contractor.

36. **ESCALATION** :: The rate quoted shall be firm throughout the tenure of the contract (including extension of time, if any granted) and will not be subject to any fluctuation due to increase in cost of materials, labor, sales tax, Octroi or any other reason.

37. **IDLE LABOUR**:: Whatever the reasons may be, no claim for idle labor, additional establishment cost of hire and labor charges of tools and plants would be entertained under any circumstances.

38. **SUSPENSION OF WORKS** :: If the contractor except on account of any legal restraint upon the Employer preventing the continuance of the work or in the opinion of the Employer shall neglect or fail to proceed with due diligence in the performance of his part of the contract or if he shall more than once make default, the Employer shall have the power to give notice in writing to the contractor requiring the work to be proceeded within a reasonable manner and with reasonable dispatch, such notice purport to be a notice under this clause.

After such notice shall have been given the contractor shall not be at liberty to remove from the site of the works or from any ground contiguous thereto any plant or materials to subsist from the date of such notice being given until the notice shall have been complied with. If the contractor fails to start the work within seven days after such notice has been given to proceed with the works as therein prescribed, the Employer may proceed as provided in **clause 39** (Termination of Contract by Employer).

39. **TERMINATION OF CONTRACT BY EMPLOYER** :: If the contractor being a company go into liquidation whether voluntary or compulsory or being a firm shall be dissolved or being an individual shall be adjudicated insolvent or shall make an assignment or a composition for the benefit of the greater part, in number of amount of his creditors or shall enter into a Deed or arrangement with his creditors, or if the Official Assignee in insolvency, or the Receiver of the contractor in insolvency, shall repudiate the contract, or if a Receiver of the contractor's firm appointed by the court shall be unable, within fourteen days after notice to him requiring him to do so, to show to the reasonable satisfaction of the employer that he is able to carry out and fulfill the contract, and if so required by the employer to give reasonable security therefore, or if the contractor shall suffer execution to be issued, or shall suffer any payment under this contract to be attached by or on behalf of and of the creditors of the contractor, or shall assign, charge or encumber this contract or any payments due or which may become due to the contractor, there under, or shall neglect or fail to observe and perform all or any of the acts matters of things by this contract, to be observed and performed by the contractor within three clear days after the notice shall have been given to the contractor in manner hereinafter mentioned requiring the contractor to observe or perform the same or shall use improper materials or workmanship in carrying on the works, or shall in the opinion of the employer not exercise such due diligence and make such due progress as would enable the work to be completed within due time agreed upon, and shall fail to proceed to the satisfaction of the employer after three clear days notice requiring the contractor so to do shall have been given to the contractor as hereinafter mentioned, or shall abandon the contract, then and in any of the said cases, the Bank may notwithstanding previous waiver determine the contract by a notice in writing to the effect as hereinafter mentioned, but without thereby effecting the powers of the employer of the obligations and liabilities of the contractor the whole of which shall continue in force as fully as if the contract, had not been so determined and as if the works subsequently executed had been executed by or on behalf of the contractor (without thereby creating any trust in favour of the contractor) further the employer or his agent, or servants, may enter upon and take possession of the work and all plants, tools, scaffolding, sheds, machinery, steam and other power, utensils and materials lying upon premises or the adjoining lands or roads and sell the same as his own property or may employ the same by means of his own servants and workmen in carrying on and completing the works or by employing any other contractors or other persons or person to complete the works, and the contractor shall not in any way interrupt or do any act, matter of thing to prevent or hinder such other contractors or other persons or person employed from completing and finishing or using the materials and plants for the works when the works shall be completed, or as soon thereafter as conveniently may be, the employer shall give notice in writing to the contractor to remove his surplus materials and plants and should the contractor fail to do so within a period of 14 days after receipt by him the employer may sell the same by Public Auction and shall give credit to the contractor for the amount so realized. Any expenses or losses incurred by the employer in getting the works carried out by other contractors shall be adjusted against the amount payable to the contractor by way of selling his tools and plants or due on account of work carried out by the contractor prior to engaging other contractors or against the Security Deposit.

40. **SETTLEMENT OF DISPUTES AND ARBITRATION** :: All disputes or differences of any kind whatsoever which shall at any time arise between the parties hereto touching or concerning the works or the execution or maintenance thereof of this contract or the rights touching or concerning the works or the execution of maintenance thereof of this contract or the construction remaining operation or effect thereof or to the rights or liabilities of the parties or arising out of or in relation thereto whether during or after determination foreclosure or breach of the contract (other than those in respect of which the decision of any person is by the contract expressed to be final and binding) shall after written notice by either party to the contract to the other of them and to the Employer hereinafter mentioned be referred for adjudication to a sole Arbitrator to be appointed as hereinafter provided.

For the purpose of appointing the sole arbitrator referred to above, the employer will send within thirty days of receipt of the notice, to the contractor a panel of three names of persons who shall be presently unconnected with the organization for which the work is executed.

The contractor shall on receipt of the names as aforesaid, select any one of the persons name to be appointed as a sole Arbitrator and communicate his name to the employer within thirty days of receipt of the names. The employer shall thereupon without any delay appoint the said person as the sole Arbitrator. If the contractor fails to communicate such selection as provided above within the period specified, the competent authority shall make the selection and appoint the selected person as the Sole Arbitrator.

If the employer fails to send to the contractor, the panel of three names as previously mentioned within the period specified the contractor should send to the employer a panel of three names of persons who shall all be unconnected with either party. The employer shall on receipt of the named as previously mentioned select any one of the person's names and appoint him as the Sole Arbitrator. If the Employer fails to select the person and appoint him as the Sole Arbitrator within thirty days of receipt of the panel and inform the contractor accordingly, the contractor shall be entitled to appoint one of the persons from the panel as the Sole Arbitrator and communicate his name to the employer.

If the Arbitrator so appointed is unable or unwilling to act or resigns his appointment or vacates his office due to any reason whatsoever another Sole Arbitrator shall be appointed as aforesaid.

The work under the contract shall, however, continue during the arbitration proceedings and no payment due or payable to the contractor shall be withheld on account of such proceedings.

The arbitrator shall be deemed to have entered on the reference on the date he issued notice to both the parties fixing the date of the first hearing.

The arbitrator may from time to time with the consent of the parties enlarge the time for making and publishing the award.

The arbitrator shall give a separate award in respect of each dispute or differences referred to him. The arbitrator shall decide each dispute in accordance with the terms of the contract and give a reasoned award. The venue of arbitration shall be such place as may be fixed by the arbitrator in his sole discretion.

The fees, if any, of the arbitrator shall if required to be paid before the award is made and published be paid half and half by each of the parties. The cost of the reference and of the award including the fees, if any, of the Arbitrator who may direct to and by whom and in what manner, such costs or any part thereof shall be paid and may fix or settle and amount of costs to be so paid.

The award of the arbitrator shall be final and binding on both the parties.

Subject to aforesaid the provisions of the Indian Arbitration Act, 1992 or any statutory modification or re-enactment thereof and the rules made there under and for the time being in force shall apply to the arbitration proceeding under this clause.

The employer and the contractor hereby also agree that arbitration under clause shall be a condition precedent to any right to action under the contract with regard to the matters hereby expressly agreed to be so referred to arbitration.

**41. CO -ORDINATION OF WORKS:** The contractor shall execute the works in co-ordination with the other agencies like air-conditioning, FURNISHING etc., involved in the works. The work site shall be neatly cleaned as and when necessary so that the works of other agencies can be carried out. Failure on part of the contractor to clean the work site will empower the employer to engage other agencies and recover the cost from the contractor.

**42. FURNISHING POWER, WATER AND TOILET FACILITIES:** The FURNISHING power required for the works shall be supplied at one single point in the floor free of cost and the contractor shall make his arrangements to draw the same to the required work spots. The contractor shall engage a licensed electrician to carry out and maintain his FURNISHING system. In case of power failure the contractor at his own cost, has to make his own arrangements by hiring or installing the DG set. The employer shall not entertain any charges for engaging the DG set. The work shall not be stopped on account of power failure. Further, no extension of time shall be permissible on account of the power failure.

Water shall be provided free of cost at one point.

Common toilet facility is available at the work site and the contractor shall maintain the same hygienically clean.

43. **PURCHASE VALUE OF OLD ITEMS, IF ANY:** The tenderer has to quote the purchase value for the buyback offer, after inspecting the items at the branch. The quoted price for buyback offer for old items shall not be less than the Bank's reserve price fixed. In case the quoted price for buyback offer is less than the Bank's reserve price, the tenders are liable to be rejected.
44. **TENDERED VALUE:** The lowest tendered value shall be the total of all the items including the buyback items.
45. The work should be carried out with full co-ordination / co-operation of occupants without damaging any permanent structures or furniture belonging to them. If any damage occurs, the cost of same will have to be reimbursed by the Contractor
46. **THE WORK SHALL BE CARRIED OUT WITHOUT AFFECTING THE BRANCH FUNCTIONING.** The working hours to carry out the interior work extend beyond the normal working hours.

SIGNATURE OF CONTRACTOR

\*\*\*\*\*



This agreement made the \_\_\_\_\_ day of the month of \_\_\_\_\_ in the year 2024 BETWEEN, Canara Bank a body corporate constituted under the Banking Companies ( Acquisition and Transfer of undertakings Act, 1970, having its Circle office, at 86, M G Road, Spencer's Tower, Patna -560001 represented by its duly constituted attorney (hereinafter referred to as the Employer / Bank) on the ONE PART; and

\* Shri \_\_\_\_\_ S/D/o \_\_\_\_\_ resident of \_\_\_\_\_ the sole proprietor of M/s \_\_\_\_\_ having office at the following address \_\_\_\_\_

\* M/s. \_\_\_\_\_ the partnership firm having an administrative/principal office at \_\_\_\_\_ represented by its Managing/duly authorised partner.

\* M/s. \_\_\_\_\_ company/body corporate incorporated under the provisions of the Companies Act 1956 having its registered office at the following address \_\_\_\_\_, duly represented at \_\_\_\_\_ duly represented by its constituted and authorised Managing Director, Shri \_\_\_\_\_ and (hereinafter called the Contractor which term shall also be called the Supplier or the Contractor ) on the other part

WHEREAS THE Employer / Bank is desirous that certain Interior and FURNISHING works should be executed as detailed in the Notice inviting tender for their MICR centre at NO. 78, mission road, Patna and called for invitation to tender and the tender dated 17.01.2024 furnished by the contractor for execution of such works has been accepted by the Employer on the terms and conditions as set out therein and interalia others.

NOW THIS AGREEMENT WITNESSETH as follows:

1. In this agreement words and expression shall have the same meanings as are respectively assigned to them in the conditions of contract hereinafter referred to.

2. The following documents not inconsistent with these presents shall be deemed to form and be read and construed as part of this agreement viz;

- a) Notice inviting Tender
- b) General Rules and Instructions for the guidance of tenderers.
- c) The Tender, Letter of Acceptance, Letters from & to the tenderer, if any, leading to and prior to acceptance letter.
- d) General Conditions of contract and clauses of contract along with Annexures thereto.
- e) Tender drawings , Approved makes.

[ Note : \* Strike off whichever is not applicable ]

f) Schedule of quantities with specifications including Prices and tendered amount .

3. In consideration of the payments to be made by the Employer to the contractor, the contractor hereby covenants and agrees with the Employer to execute and complete the works in conformity in all respects as per the para ( 2 ) above and as per the aforesaid documents which shall form part of this agreement.

In witness whereof the parties hereto have hereunto set their respective hands and seals the day and year first above written.

Signed, sealed and delivered by the said contractor, \_\_\_\_\_ to the Employer \_\_\_\_\_ in the presence of:

Signature of Contractor (with seal)

Signature of Authorised representative  
of the Employer / Accepting Authority.

Witness ( Signature, Name & Address ):

1).

2).



Amit Kumar  
B.Arch, AIAA

**ARTCON DESIGN CONSULTANTS**  
**Architects, Engineers, Interior Designers**  
**Computer Aided Design**

G-04 ,Laxmi Palace ,Mitra Compound ,Boring Road  
Mobile: 9386717726, 9931723771  
E-mail: - artcondesign@consultant.com  
amitkumar73@gmail.com  
Website:- artcondesignconsultant.com

REF: AC/CB/03/EST-B.B./24-25

**CONFIDENTIAL**

Date:- 4/30/2024

**ESTIMATE OF INTERIOR DESIGN AND FURNITURE WORKS FOR CANARA BANK, BIKARAMGANJ BRANCH AND ATM  
..... , BIHAR.**

**BRANCH**

Sl. No.	DESCRIPTION	UNIT	QTY.	RATE
1	<b>(FULL HEIGHT PARTITION)-STATIONARY ROOM &amp; OTHERS-</b> Providing and fixing fullheight double skin partitions in cabins etc, with frames of 50mmx50 mmx1.5mm thick Aluminium section framework at 600 mm c/c. (intervals of 2'-0" x 2'-0" c/c with provision of bigger members at skirting, fixing to door frames), etc, and covered with 6 mm thick BWP Plywood of approved make covered with various finishing layers as per design and <b>details including 1 mm thick high gloss laminate.</b> The Aluminum section shall be painted with Premium 1st quality paint / polished. High Gloss Laminates shall have a number of horizontl / vertical grooves and the ply under such grooves shall be painted with approved colours.			
	Opening for communication / conversation shall be provided as required as per detailed design and nothing extra shall be paid / deducted for the same.			
	All doors including sliding doors / openable doors, with all fittings including ISI Marked Floor Springs, Hinges, Bolts, etc., shall be included in the same price. Doors shall be of heavy sections matching the partition, and shall have 8.0 mm thick etched glass as per design.			
	All items necessary for completing the above mentioned work are deemed to be included in the scope of work, whether or not they are specifically mentioned in the B.O.Q / tender documents / drawings.	S.Ft.	140	

2	<p><b>Full HEIGHT PARTITION (UPS ROOM,10'-0" height) :-</b> Providing and fixing half height double skin partitions in UPS room with frames of 50mmx50 mmx1.5mm thick Aluminium section framework at 600 mm c/c. (intervals of 2'-0" x 2'-0" c/c with provision of bigger members at skirting, fixing to door frames), etc, and covered with 6 mm thick BWP Plywood of approved make covered with various finishing layers as per design and details including outer side with 1 mm thick high gloss laminate &amp; inner side with 8mm Calcium Silicate Board /FRC . The boards are to be fixed to the frame work with joints staggered to avoid through cracks to be provided at the horizontal joints of two boards, fixed to the studs using metal to metal flat head screws, including jointing and finishing to a flush finish with recommended jointing compound, jointing tape, angle beads at corners (25 mm x 25 mm x 0.5 mm), joint finisher and one coats putty, two coats of primer and two coats of lustre paint suitable for board as per manufacture's specification and direction of engineer in charge all complete, suitable anchor fastener or metal screws with nylon plugs . All doors including sliding doors / openable doors, with all fittings including ISI Marked Floor Springs, Hinges, Bolts, etc., shall be included in the same price.All items necessary for completing the above mentioned work are deemed to be included in the scope of work, whether or not they are specifically mentioned in the B.O.Q / tender documents / drawings.</p>	sft	160	
3	<p><b>FULL HEIGHT GLAZED PARTITION (BM cabin) :-</b> Providing and fixing 12mm Toughened glass partition as per design and door fixed with patch fitting of approved make /brand at top to a support directly suspended from main Ceiling (Rate to include necessary support arrangement to erect the clear partition)and for bottom on floor ,including door closer 'C' shape approved design brush finished S.S. handle ,Locking arrangement etc. including acid etching / frosting of approved design ,on the glass. All exposed edges of glass to be machine polished complete as per design and instructions by Architect /Engineer. All items necessary for completing the above mentioned work are deemed to be included in the scope of work, whether or not they are specifically mentioned in the B.O.Q / tender documents / drawings.  <b>The height of the partition shall be measured upto the Gypsum false ceiling Height of 8'6" or toughened glass partition whichever is lower &amp; required strengthening of partition &amp; for fixing of gypsum/grid false ceiling upto R.C.C. Roof to be provided in this cost only.Door stopper to be provided. Door lock to be provided at 3ft height/ bottom of the door. No Low height partition to be constructed adjoining/ beside the glass partition.</b></p>	sft	0	
3	<p><b>FULL HEIGHT FULL GLAZED PARTITION (BM cabin, 8'-6" height) :-</b> Providing and fixing full height double skin partitions in cabins etc, with frames of 50mmx50 mmx1.5 thik Aluminium section framework at 450 mm c/c. (intervals of 1'-6" x 1'-6" c/c with provision of bigger members at skirting), fixing to door frames, etc,<b>The partition shall be provided with 10mm toughened glass panel in front and sides from 1ft height to 7 ft height, 12mm toughened glassdoor of size 3ft x 7 ft</b> (Wherever required) with engraved etching fixed with all FITTINGS. 6 mm thick BWP Plywood of approved make covered with various finishing layers as per design and details including 1 mm thick laminate. (All visible beading to be of 1st quality "gamhar") and shall be painted with Premium 1st quality paint / polished as per instructions of Bank. All necessary hardware such as hings, bolts, etc, and any other hardware required for the door, shall be included in the price.Laminates shall have a number of horizontal / vertical grooves and the ply under such grooves shall be painted with approved colours.Doors shall be 35mm flush door with laminate matching the partition. Openings for communication / conversation shall be provided as required as per detailed design and nothing extra shall be paid / deducted for the same.</p>	sft	208	

3	<p><b>(HALF HEIGHT PARTITIONS-FULLY PANELLED) ( 4'-6" height )</b> Providing and fixing half height double skin partitions in cabins etc, with frames of 50mmx50 mmx1.5 thick Aluminium section framework at 450 mm c/c. (intervals of 1'-6" x 1'-6" c/c with provision of bigger members at skirting), fixing to door frames, etc, The partition shall be provided with 10mm plain glass panel in front and sides (Wherever required) with engraved etching fixed with teak/beeche beading. 6 mm thick BWP Plywood of approved make covered with various finishing layers as per design and details including 1 mm thick high gloss laminate. (All visible beading to be of 1st quality "gamhar") and shall be painted with Premium 1st quality paint / polished as per instructions of Bank. All necessary hardware such as hinges, bolts, etc, and any other hardware required for the wicket door, shall be included in the price. Laminates shall have a number of horizontal / vertical grooves and the ply under such grooves shall be painted with approved colours. Openings for communication / conversation shall be provided as required as per detailed design and nothing extra shall be paid / deducted for the same.</p>			
	<p>All items necessary for completing the above mentioned work are deemed to be included in the scope of work, whether or not they are specifically mentioned in the B.O.Q / tender documents / drawings. All exposed wooden surfaces are to be painted with Premium quality paint as per Specifications.</p>	sft	70	
4	<p><b>(COMPUTER CASH AND CASH CAGE PARTITIONS - FRONT)</b> Providing and fixing cash cage glazed partition on top of cash counter above 4'0" UPTO 7'0" facing the customer with 12 mm thick clear toughened glass (Modiguard) fixed in a frame of 50mmx50 mmx1.5mm thick Aluminium section, bwp ply, high gloss laminate /polished teakwood members framework on all three sides, duly polished, all beading etc. as required, all cutting, polishing of glass at two positions -one at 4ft of 4inch width, 6inch height &amp; other at 5ft of 6inch dia as required, all complete.</p>	S.Ft.	42	
5	<p><b>(COMPUTER CASH AND CASH CAGE PARTITIONS - SIDES &amp; REAR- HEIGHT UPTO 7'0" HT)</b> Providing and fixing cash cage partition, as per specifications given in Item No. 2 mentioned above, modified in height and the openings required to suit the requirements of cash cages, etc, from 4'-0" to 7'-0", along with supporting members all doors, as per specifications given in Item No. 1 above, all hardware for doors excluding door closers, godrej night latches which shall be paid for separately, all complete. The front of the cash cage shall be done in a decorative design, as shown in the attached drawings and details. Proper cut tray to be providing for passing documents between tables.</p>	S.Ft.	266	
6	<p><b>(HYDRAULIC DOOR CLOSER)</b> Providing and fixing Hydraulic door closers of specified brand, all complete as per instructions of Architect / Employer. ( Makes -EFFICIENT GADGETS / Everite / Hardwyn. / GODREJ)</p>	Each	4	
7	<p><b>(LOCKS)</b> Providing and fixing "Godrej Night Latch" / "Godrej Mortice Lock" in required places, all complete with fixing, fitting, etc. Cash Cabin should be provided with Godrej Night Latch</p>	Each	5	
8	<p><b>(TABLES)</b> Providing and Placing new executives tables alongwith matching credenza of plan size (basic) as given below and credenza of plan size as given below, table top to be made of 19 mm thick BWP plywood of approved make, edged with beading of 2" x 1-12" approx), cut to required shape, top of table to have 1.0 mm thick laminte, and teakwood beading to be polished to required colour and finish. Table to have a vertical modesty panel of 19 mm thick plywood of <b>approved make laminated/Plain with high gloss laminate (1.0 mm thick) from the outer side and Laminate 0.8 mm thick on the inner side.</b> Modesty partition to have 1st quality beading on top as per design and specificationson the internal surface.</p>			

	High Gloss Laminate to have a no. of grooves as per design and drawings. A chest of drawers shall support the table on 1 side (except in the case of staff tables of 4'-0" width, where the table shall be supported on one side by the credenza unit) integrally connected to the modesty partition, made of 19 mm thick plywood of approved make, drawers to slide on drawer slides (EBCO / Equivalent), and made of 19 mm thick grade bwp board for all sides and bottom cabinet shutters of 19 mm thick plywood of approved make, cabinet hinges to be t-type, self closing, EBCO / Equivalent, all edges of all blockboard / plywood to be sealed with 1st quality teakwood edging, including blockboard members touching the ground.			
	Drawers and cabinet shutters to be laminated on all external surfaces with 1.0 mm thick high gloss laminate, and all internal surfaces with 0.8 mm thick laminate as Specified above. All drawers and cabinets (both in tables and credenza) to be provided with high quality 'Gogrej' locks, and high quality handles .			
	The other end of the table to be supported / integrated with a credenza unit of basic 2'-6" height, or as required, top, back and sides made out of 19 mm thick BWP plywood of approved make laminated/Plain , top to be finished with 1.0 mm thick high gloss laminate and teakwood beading o/o 1" x 1", carved as per design, and finished as per table Specifications above.			
	Drawers and cabinets, cabinet shutters, etc. Shutters will be hung by hinges, locks, magnetic door catcher and satin finished S. S. handles etc. of approved make to be as described in table specifications above, including all finishing details, and one glazed cabinet shutter in 1st Quality Teakwood frame, finished with laminate also to be laminated with 1.0 mm thick high gloss laminate grooves as / design			
	Keyboard unit as per design and specification to be included in the rate.			
	<b>High Gloss Laminate pasting pattern /design as per banks design guideline/detail/reference.</b>			
a)	<b>CM/ Senior Manager Table (6'-0" x 3'-0")</b>	Each	1	
b)	<b>Manager Table (5'-0" x 3'-0")</b>	Each	0	
c)	<b>Officer Table (5'0"x2'6")</b>	Each	0	
d)	<b>Officer Table (4'0"x2'6")</b>	Each	0	
e)	<b>Daftari Table (4'-0"x2'0")</b>	Each	1	
f)	<b>Credenza (1'6"x4'0"), (1'6"x4'3"),</b>	Each	0	
g)	<b>Credenza (1'6"x3'6"),</b>	Each		
h)	<b>Credenza (1'6"x3'0")</b>	Each	2	
i)	<b>Full Ht cabinet;-</b> (elevation area calculation))Providing & fixing STORAGE CABINETS of 8'-0" ht and 1'-6" deep as per layout plan made up of 19mm BWP plywood of approved Make and finished with 1mm thick High Gloss laminate of Make, shade as approved and per detailed drawing. With 2-3 shelves made up of 19mm BWP plywood, all unexposed portion shall be finished with 0.8mm thk laminate from make mentioned above. The work includes supplying, fixing of hinges, magnetic catchers, handles, locks, teak lipping etc complete in all respects to the complete satisfaction of the Architect.	SFT	0.00	

j)	<b>Sill Ht cabinet;</b> -(elevation area calculation))Providing & fixing STORAGE CABINETS of 2'-6" ht and 1'-6" deep as per layout plan made up of 19mm BWP plywood of CENTURY/ GREEN Make and finished with 1mm thick High Gloss laminate of CENTURY/GREENLAM Make, shade as approved and per detailed drawing. With 2-3 shelves made up of 19mm BWP plywood, all unexposed portion shall be finished with 0.8mm thk laminate from make mentione above. The work includes supplying, fixing of hinges, magnetic catchers, handles, locks, teak lipping etc complete in all respects to the complete satisfaction of the Architect.	SFT	18.00		
k)	<b>Center Table</b> (3'-0"x1'-9") 12 mm glass top with glass shelf below	Each	1		
9	<b>(COUNTERS)</b> Providing and fixing COMPUTER COUNTERS (formerly from as LEDGER COUNTERS) made out of 19 mm thick BWP plywood of approved make and as per the attached drawing with the working top of 2'-6" width at 2'-6" level,, all complete with 1.0 mm thick High Gloss laminate on all visible surface, tabletops, customer top, etc, and all drawers etc. to be with 0.8 mm thick laminated. 12mm thick glass as a screen shall be provided in front, with a 3" gap from the counter top where required. Height of Glass: 24". Glass to be inserted in polished teakwood members, size 2" x 2", appropriately finished. Keyboard Tray to be provided on Special Keyboard Slides, and wristrest to be given. Drawer Slides to be used for all drawers. All locks to be of Godrej / Link. All drawers, cabinets, Keyboard, etc. to be lockable. Footrest to be provided. (See Detailed drawing attached). The Front of the Computer Counter shall have decorative finishing in ply and laminate as shown in the drawing attached.	R.Ft.	19.5		
10	<b>(CASH COUNTERS)</b> Providing and fixing Cash Counters, to be made entirely of 19 mm thick BWP plywood for all surfaces, with the working top of 3'-0" width at 2'-6" level, and the customer top of 1'-6" width at 3'-9" level. Chest of drawers (lockable) with Godrej / Links to be provided and on cabinet just below drawer. The working top to be 3'-0" wide, fully detailed out with overhangs and supports as per detail drawings, all edges to be sealed with 1 mm thick High Gloss laminate as per directions, all internal laminate of modesty table should be 0.8 mm thick laminate all complete with footrest of ghambhar wood of section 4" x 2", all complete with all hardware, supporting clips, etc. The front of the Counter shall have decorative features, all complete, as per the designs and drawings attached..The counter should have front, both sides modesty panel/ legs.)	R.Ft.	10.00		
11	<b>COULUM PANELING WITH LAMINATE FINISH</b> - Providing & Fixing laminate finish paneling for columns, etc. made out offrames of 50mmx50 mmx1.5 thik Aluminium section framework at 600 mm c/c ( vertical/horizontal) both ways, covered with 12mm thick BWP ply upto false ceiling height. All exposed surfaces of the paneling shall be finish with approved color 1.00 mm thk High Gloss laminate complete as per detail drawing & instructions of Architect.	SFT	442		
12	<b>(NOTICE BOARD)</b> Providing and fixing a notice board near the Waiting area, frame to be made of 1st quality hardwood, and infill of 12 mm thick 'Celotex, board, duly covered with "Matte" quality cloth of approved colour and make. Visible surfaces of Frame to be painted with "Premium 1st Quality Paint" in approved colour and shade, and internal frames and internal surface of celotex board to be painted with priming coat. The frame is to be securely fixed to the wall, all complete as per directions for the Architect / Employer. Size: 2'-6" x 3'-0".	Each	1		
13	<b>(SUGGESTION BOX)</b> Providing and fixing one suggestion box, made with 12 mm bwp ply as per standard design and specifications of the Bank, fully complete, with 0.8 mm thick High Gloss laminated, lock, lettering on top, etc.	Each	1		
14	Providing and fixing Cheque writing/slip rack projected/supported from wall 7'0" x1'-3" and a C.T. as per design with suggestion box,first aid box,sugestion box.	Each	1		

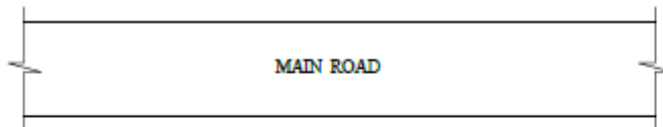
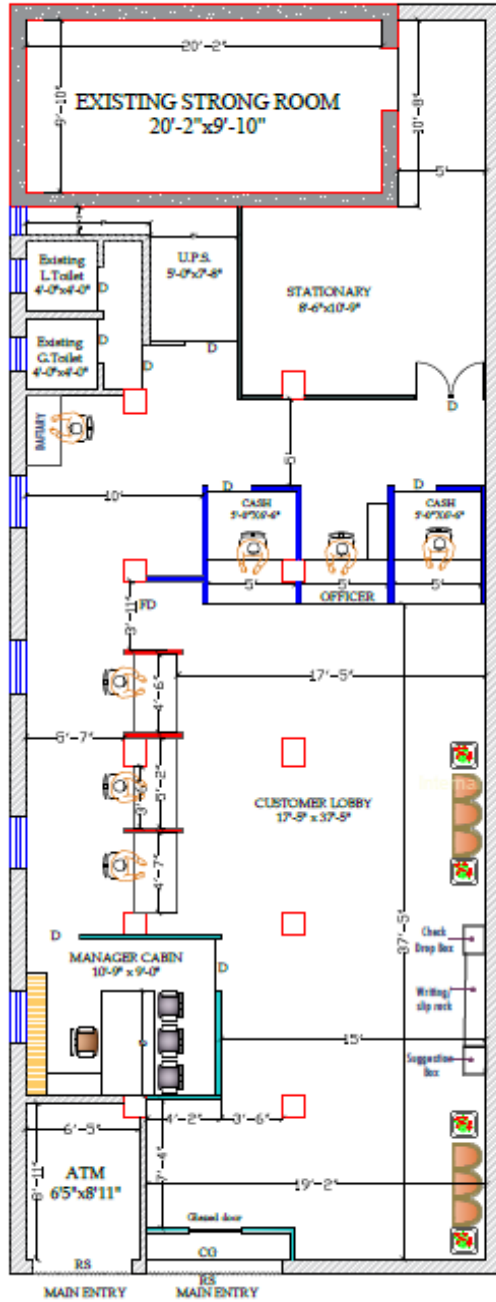
15	<b>(CHECK DROP BOX)</b> Providing and fixing one suggestion box, made with 12 mm bwp ply as per standard design and specifications of the Bank, fully complete, with 0.8 mm thick High Gloss laminated, lock, lettering on top, etc.	Each	1	
16	<b>FALSE CEILING</b>			
i)	<b>Gypsum board false ceiling</b>			
	<b>Gypsum board false ceiling with Vertical band /drop of per detail drawing &amp; instructions of Architect</b>			
	Providing and fixing in position Gypsum Board False Ceiling including Two coats of Plastic emulsion Paint of appd.quality as per manufacturer's specifications and instructions with 12.5 mm thick 'Gypboard' Screw-fixed to the underside Of suspended G.I. grid. G.I. grid should be Constructed and suspended from the main ceiling as per manufacturer's instructions and as per specifications using Original Co. Specified Framework Sections G.I.24 gauge The Gypboard should be fixed to G.I. grid with 25 mm long Drawali Screws. The 'Gypboard ' to be used should be 12.5mm thick tapered edge boards. The boards should Be taped and filled from underside to give smooth, seamless ceiling. The rate should include necessary additional ceiling sections and intermediate channels openings for light fixtures, A.C. ducts, vertical drops, offsets. etc.			
	Additional Intermediate channels should be fixed to strap hangers for additional support to prevent strap hangers from buckling/swaying at every 1200 mm. Item to be completed in all respect including necessary sleeves for ducts finishing of joints cut outs supports for A.C. grills, light fixtures, speakers etc.			
	The rate should include necessary additional ceiling sections and intermediate channels openings for light fixtures, A.C. ducts, vertical drops, offsets.and with two coats of putty, two coats of approved primer, and three coats of approved lustre paint. The visible drop should be of 4" & payment shall be made only for visible drop of 4".	SQ.FT.	528	
ii)	<b>Grid False Ceiling</b>			
	Providing & fixing false ceiling at all heights with false ceiling tiles of Size 595x595 mm of approved texture, design and patterns having moisture content less than 2%, humidity resistance of 99%, NRC 0.50 to 0.75 as per IS 8225:1987, Non combustible as per BS 476 (part-4)-1970 and lightreflectance of 85% (minimum) to be laid in true horizontal level suspended on inter-locking metal T-Grid of hot dipped galvanised iron section of 0.33mm thick (galvanized @ 120 grams per sqm including both sides) comprising of main-T runners of size 15x32 mm of length 3000 mm, cross - T of size 15x32 mm of length 1200 mm and secondary intermediate cross-T of size 15x32 mm of length 600mm to form grid module of size 600 x 600 mm, suspended from ceiling using galvanised mild steel items (galvanizing @ 80 grams per sqm) i.e. 50 mm long, 8 mm outer diameter M-6 dash fasteners, 6 mm dia fully threaded hanger rod upto 1000 mm length and L-shape level adjuster of size 85x25x2 mm. Galvanised iron perimeter wall angle of size 24x24x0.40 mm of length 3000 mm to be fixed on periphery wall / partition with the help of plastic rawl plugs at 450 mm center to center and 40 mm long dry wall SS screws. The work shall be carried out as per specifications, drawing and as per directions of Engineer-in-Charge, With semi perforated micro tegular edged GRG false ceiling tiles.	SQ.FT.	812	

17	<b>Panel box covering</b> : Shall be made up of 19mm th BWP boarer free ISI marked -Fire resistant ply on all the sides. shutter shall be of 19mm th block board of BWPgrade ISI marked-Fire resistant (Minimum 2 hr.) and shall have holes 1/2" dia ( 25nos.) for ventilation and have glass piece (9"x9") for meter reading and shall be finished with 1.00mm High Gloss laminate of approved shade on all exposed sides and inside finished with 0.8 mm thick laminated. The rate is inclusive of all locks of Godrej or equivalent make, SS tower bolts, SS handles, heavy duty SS hinges etc.all hardware complete. Prior confirmation shall be obtained from the officer in charge for all the hardware, locks and fixture etc, complete. (Note :- Box should not touch the ground, Elevation area to be measured for payment)	SQ.FT.	36	
18	<b>SHUTTER BOX COVERING</b> -Shutter covering with ACP (aluminium composite panel) of 4mm thk. approved color & make with aluminium framing as/required with the provision of rolling shutter maintenance trap door,ele. point all complete job as per standard & specification	S.Ft.	60	
19	<b>Main Entrance Door:</b> Full.ht.Glass Partitions (WITH DOOR ) Entrance side Providing and fixing 12 mm thk. full ht. Toughened Glass partitions with etched horizontal liner of 1"ht. and 1/2"clear space in between as per design ,Rate should be inclusive of additional Aluminium profile fixed in the flooring and above finished false ceiling level with necessary patch fittings as required to hold the glass partition. All exposed edges surfaces should be machine polished edges. The Rate shall be also inclusive of floor spring ,necessary hardware 3'-0"ht. Matt steel door handles with floor locking arrangement of Enox co. etc. Complete as per desigens and details from the Architects.The rate shall be Inclusive of Horizontal Etched Lining in between 3' to 6' ht. horizontal etched lining of 1"frost and 1/2" clear as per design etc. complete. The door size to be 3ft width & 7ft height. Door stopper to be provided. center Door lock to be provided at 3ft height/ bottom of the door.Supplying and fixing banks logo – sticker as per drawing and design. Glass wall ,all complete as per directions for the Architect /Bank (MAKE:-Floor springs-Hyper/ Dorma/Hardwyn,Glass-MODIGUARD / AIS / SAINT )	S.Ft.	110	
20	Dismantle & Removal of existing partition ,false ceiling, counters etc in Branch Room.debris from site, carrying and disposal of malba to dumpyard. as per bank/branch incharge direction. (Branch &atm)	LS	1.00	
<b>TOTAL BRANCH</b>				
<b>ATM WORK</b>				
Sl. No.	DESCRIPTION	UNIT	QTY.	RATE
1	Paneling in the front portion of ATM Room providing &fixing in position .ACP (Aluminium Composite panel) with framing of aluminium tube section of min1.5"x1"and 20 gauge 2'-0" c/c both way .ACP to be in 2' wide or distributed equally .panel to be fixed to the frame with 3m or equi-valent adhesive .joints to be finished with silicon based sealant .ACP thicknessof 3mm.	S.FT.	160.00	
2	Providing & fixing Back room partition ACP both side. (Aluminium Composite panel) with framing of aluminium tube section of min1.5"x1"and 20 gauge 2'-0" c/c both way .ACP to be in 2' wide or distributed equally .panel to be fixed to the frame with 3m or equi-valent adhesive .joints to be finished with silicon based sealant .ACP thicknessof 3mm. with <b>Aircon Louvers</b> 6" powder coated aluminium Louvers. All complete as per directions for the Architect /Bank	S.ft.	65.00	

3	<p><b>Main Entrance Door:</b> Full.ht.Glass Partitions (WITH DOOR ) Entrance side Providing and fixing 12 mm thk. full ht. Toughened Glass partitions with etched horizontal liner of 1"ht. and 1/2"clear space in between as per design ,Rate should be inclusive of additional Aluminium profile fixed in the flooring and above finished false ceiling level with necessary patch fittings as required to hold the glass partition. All exposed edges surfaces should be machine polished edges. The Rate shall be also inclusive of floor spring ,necessary hardware 3'-0"ht. Matt steel door handles with floor locking arrangement of Enox co. etc. Complete as per desigens and details from the Architects.The rate shall be Inclusive of Horizontal Etched Lining in between 3' to 6' ht. horizontal etched lining of 1"frost and 1/2" clear as per design etc. complete. The door size to be 3ft width &amp; 7ft height. Door stopper to be provided. center Door lock to be provided at 3ft height/ bottom of the door.Supplying and fixing banks logo – sticker as per drawing and design. Glass wall ,all complete as per directions for the Architect /Bank (MAKE:-Floor springs-Hyper/ Dorma/Hardwyn,Glass-MODIGUARD / AIS / SAINT )</p>	S.Ft.	55.00	
4	<p><b>GRID FALSE CEILING:-</b>Providing &amp; fixing false ceiling at all heights with false ceiling tiles of Size 595x595 mm of approved texture, design and patterns having moisture content less than 2%, humidity resistance of 99%, NRC 0.50 to 0.75 as per IS 8225:1987, Non combustible as per BS 476 (part-4)-1970 and lightreflectance of 85% (minimum) to be laid in true horizontal level suspended on inter-locking metal T-Grid of hot dipped galvanised iron section of 0.33mm thick (galvanized @ 120 grams per sqm including both sides) comprising of main-T runners of size 15x32 mm of length 3000 mm, cross - T of size 15x32 mm of length 1200 mm and secondary intermediate cross-T of size 15x32 mm of length 600mm to form grid module of size 600 x 600 mm, suspended from ceiling using galvanised mild steel items (galvanizing @ 80 grams per sqm) i.e. 50 mm long, 8 mm outer diameter M-6 dash fasteners, 6 mm dia fully threaded hanger rod upto 1000 mm length and L-shape level adjuster of size 85x25x2 mm. Galvanised iron perimeter wall angle of size 24x24x0.40 mm of length 3000 mm to be fixed on periphery wall / partition with the help of plastic rawl plugs at 450 mm center to center and 40 mm long dry wall SS screws. The work shall be carried out as per specifications, drawing and as per directions of Engineer-in-Charge, With semi perforated micro tegular edged GRG false ceiling tiles.</p>	S.FT	40.00	
5	<p><b>Shutter covering</b> with ACP (aluminium composite panel) of approved color &amp; make with the provision of rolling shutter maintenance trap door , allcomplete job as per standard &amp; specification.</p>	SQ.FT.	45.00	
<b>TOTAL ATM</b>				
<b>SUB TOTAL (BRANCH +ATM)</b>				
<b>G.S.T(Extra as applicable)</b>				
<b>NET TOTAL</b>				
<b>Notes:-</b>				
<b>Contractor to Note that:-</b>				
a)	Footrests to be provided (laminated) with each table / counter without any extra charges, @ 1 per person.			
b)	Extra members, wherever required for stability / otherwise, to be provided with the required finish without ant extra charges.			
c)	All the visible laminate of 1 mm should be High Gloss Laminate			
d)	Vendor has to quote final rate after discount. No Additional Discount to be quoted.			



**OPTION - 1 (REVISED)**



**GROUND FLOOR PLAN**

**NOTE**

-  HALF HT PARTITION
-  7' HT PARTITION
-  GLAZED FULL HT PARTITION
-  SOLID FULL HT PARTITION

**CANARA BANK  
AT - BIKRAMGUNJ BRANCH**



**PROJECT:-**

**PROPOSED LAYOUT OF  
CANARA BANK  
AT - BIKRAMGUNJ BRANCH**

**REVISION:-**

NO	DATE

**Sheet No. FURNITURE LAYOUT PLAN**

Scale >	Date >	Drawn by >	Checked by >
N.T.S	05/04/2024	FARHEDD HAQUE	AR. AMIT KUMAR

**ARCHITECT >**

**ARTICON DESIGN  
CONSULTANTS**  
A R C M I T E C T S E N G I N E E R S  
INTERIOR DESIGNERS COMPUTER AIDED DESIGN  
G-04 Laxmi Palace, Mitra Compound, Borling  
Road, Patna - 800011  
+91 9081722771, am118xw@173@gmail.com  
+91 9886717726 articondesignconsultants.com