

ಸಿಂಡಿಕೇಟ್ ಸಿಂಡಿಕೇಟ್ Syndicate

NIT Ref. COHUB: P&E:DPJ:11263: 2024-25 dated 18.06.2024
Notice Inviting Tender

AIR-CONDITIONING WORKS IN NEW PREMISES OF MALASAMUDRA BRANCH (BAGALKOT)

Location of the Branch/Office	MALASAMUDRA BRANCH (BAGALKOT)
Eligibility of the contractor	Eligible Air Conditioning Works & Electrical Works Contractors* empanelled with Circle Office: Hubballi
EMD	Exempted for Contractors Empanelled With Circle Office: Hubballi
Address for submission of sealed tenders	Circle Office: Hubballi
Last date & time for submission of sealed tenders	28.06.2024 up to 3:30 pm
Date & Time of opening of sealed tenders	28.06.2024 up to 4:00 pm
Payment terms	As per IBA norms.
Time limit for execution of work	30 days from the date of work order
Defect liability period	12 months after completion or commissioning of work
Retention money towards defect liability period	3 % of final bill amount
Date of commencement of work	As per work order
Income Tax &/ other taxes	At applicable rate
Payment	After the completion of the work, as per procedure
Period for submitting final bill by contractor	Within one month from the date of virtual completion of the work
Liquidated damage for non completion of work in time	1% OF THE TENDERED AMOUNT per week and part thereof for the delayed period maximum of 10%.
Rates quoted by bidder	I. The quoted rate should be inclusive of Cost of materials, transport, loading , unloading charges, cost of installation, all taxes (excluding GST) , wastages, machinery, temporary works such as scaffolding, cleaning, overheads, profit, statutory expenses, incidental charges and all related expenses required for the completion of the work. II. Additional claims other than the quoted amount will not be entertained. III. The quoted rates shall be firm throughout the completion of the project
Insurance	Falls under scope of contractor.
Validity of submitted tender	60 days from the opening of tenders

* Conditions apply

The sealed tender must be dropped in tender box kept at the Circle Office within the above stipulated time. Tenderer / authorized representative are requested to be present at the time of opening. Canara Bank will not be bound to accept the lowest tender & reserves the right to reject any or all the tenders without assigning any reason thereof.

Signature of Bidder with seal

Page 1 of 8

Premises & Estate Section,
Circle Office Hubballi
Centrum Building,

T: 08362-2239432/433 /434

Gokul Road, Hubballi-580030

E:pecohub@canarabank.com

NIT Ref. COHUB: P&E:DPJ:11263: 2024-25 dated 18.06.2024

To
The Divisional Manager,
P & E Section,
Circle Office,
Canara Bank,
Hubballi - 580030.

Respected Sir,

Sub: Air Conditioning works at **MALASAMUDRA BRANCH**

I/We hereby declare that I/ We have carefully gone through the conditions laid down in the Notice Inviting Tender, General notes, General Conditions of Contract, Special conditions, Schedule of approximate quantities and rates, Form of Agreement, General Specification, Approved manufacturers/natural source of materials Technical Specifications of schedule of quantities, and clearly understood all the same and on the basis of the same I/ We have quoted our rates in the Schedule of Quantities(i.e. BOQ) attached with the tender documents.

I / We have enclosed herewith a Demand Draft of _____Bank & No. _____ dated _____ favoring **Premises & Estate Section, Circle Office, Canara Bank, Hubballi** for ₹ _____ payable at Hubballi, towards E.M.D.

In the event of this Tender being accepted I/ We agree to enter into the agreement and submit the declaration on requisite non-judicial stamp papers as and when required and execute the contract according to your form of Agreement etc., in default whereof, I/ We do hereby bind my-self / ourselves to forfeit the aforesaid deposit.

I / We further agree to complete the work included in the said schedule of quantities within specified time from the date of the work order issued to commence the same.

I / We agree to pay all taxes(except GST), insurance charges as prevailing from time to time, on such items for whom same is to be levied by/ for the government, and the rates quoted by me / us are inclusive of all the same.

Once again knowing fully well the contents of this tender, I / We sign this tender on this _____ Day of _____ month of 2022.

Signature of the Contractor with seal & date

Signature of Bidder with seal

Page 2 of 8

SPECIAL CONDITIONS & INSTRUCTIONS FOR THE GUIDANCE OF TENDERER

1. The works at the branch/Office premises need to be executed duly taking care of the local bye laws/regulations of the local authorities like Police Dept, Water supply and Sanitary Board, Electricity Board, Central/ State Labor Commission etc. Necessary permissions, licenses, temporary connections if needed shall be obtained by the Contractor and Bank shall not be held responsible for any lapses.
2. The works shall be executed duly taking care of all safety measures and Bank shall be fully indemnified for any 3rd party claims, casualties, mishaps, loss of property etc. related to the undertaking & the execution of the subject work.
3. Tenderer are requested to submit the EMD in the form of crossed Demand draft only and EMD in any other forms shall be rejected.
4. Tenderer are expected to visit the site before quoting the rates and should satisfy themselves as to the nature and conditions of work facilities available etc.
5. The tenderer are required to examine the enclosed general plan, tender form and conditions mentioned in the tender.
6. The tenderer should quote the rates in the figures. The amount for each item should be worked out and the requisite totals shall be given. The total amount shall be written both in figures and words.
7. The rates quoted in the tender shall be for measured finished works and shall include all changes including cost of materials, transportation, freight charges etc. complete.
8. The work is to be completed within **30 days** from the date of issuing work order/confirmation from our side or handing over vacant possession of the site whichever is later.
9. The successful tenderer shall give all necessary personal attention to the work during the process of work and also until the expiry date of "Defects Liability Periods" which is **12 months** after the date of completion of the work.
10. The bank reserves the right to reject any portion of the work or material, which is, found unsatisfactory not up to the standard.
11. A retention amount of **3% of the bill amount** will be retained from the final bill and shall be paid to the successful tenderer after the defects liability period is over and upon the certification of the engineer.
12. Income tax deduction at prevailing / appropriate rates will be retained from each running bill which will be certified by the income tax authorities and a receipt will be given to the contractors.
13. GST will be decided as per the statutory requirements. Any other tax on materials, labor, services etc. in respect of this work shall be payable by the contractor and bank will not entertain any such claims.

Signature of Bidder with seal

Page 3 of 8

Premises & Estate Section,
Circle Office Hubballi
Centrum Building,

T: 08362-2239432/433 /434

Gokul Road, Hubballi-580030

E:pecohub@canarabank.com

14. If any additions and alterations are found necessary, the tenderer will have to do the same within the tendered rates with the prior approval of the bank.
15. The contractor shall employ adequate labor to complete the work within the scheduled time and shall make his own arrangements for housing his materials etc.
16. The contractor shall have to make his own arrangements to house his labor and staff for their services.
17. All tendered rates shall include for the cost of materials, labor, supervision, tools, plant, transportation, contingencies, duties, breakages, wastages, sundries, scaffolding, etc complete.
18. All instruction regarding the execution of the work shall be received from the officials through consultant/architect only. Any other instructions issued directly to the contractor by anyone else shall not be binding on the bank.
19. The bank shall have the power to omit or cancel any item of work without assigning any reason whatsoever and no claim for compensation for damage will be entertained for such omissions and cancellation.
20. The contractor shall maintain satisfactory progress of work as well as maintain a desired level of workmanship. If in the opinion of the bank the progress is unsatisfactory and / or the workmanship is unsatisfactory then the bank shall take possession of the work **within 7 days** to that effect. The bank shall then complete the entire work and rectify all the defects at the contractor's cost and consequences.
21. In case the bank is not satisfied with the quality of materials used by the contractors, they reserve the right to direct the contractor to procure such materials supplied from agencies they deem fit.
22. The contractor is to be responsible for clearing any, all dirt and rubbish and superfluous materials as they accumulate and everything unnecessary and to leave the premises in a clean and orderly condition on completion and fit for occupation. No extra payment shall be made for doing this.
23. Any work which is not approved by the bank shall have to be removed within 24 hours from the time of order and shall have to be redone by the contractor at his own cost and this cost will be borne by the contractor.
24. No deviation whatsoever for any reason will be permitted, however, if any deviation becomes necessary, the same should be brought to the immediate notice of the bank and written approval must be obtained for such deviation before proceeding with the execution of work.
25. The bank has got the right to supply any materials required for the work and cost of materials so supplied will be deducted from the bills of the successful contractor.
26. The contractor shall be responsible for safe custody of his materials/materials issued to him by the bank till they are used for the work. He shall make his own arrangements for the safe custody and proper storage and preservation in sound condition till the same are actually used in the work.

Signature of Bidder with seal

Page 4 of 8

Premises & Estate Section,
Circle Office Hubballi
Centrum Building,

T: 08362-2239432/433 /434

Gokul Road, Hubballi-580030

E:pecohub@canarabank.com

27. The tenderer shall extended full co-operation to the other contactor /agencies like electrical, air conditioning, Fire & CCTV, LAN etc who are also working for the same project and co-ordinate with them in finishing the awarded work within the stipulated time given.
28. The contactor shall have a competent supervisor on the site for all the time.
29. For any new item the rate will be fixed by the bank as per prevailing fair market rate and labor which will be binding on the contactor.
30. In case the brand of materials mentioned in the tender is not available in the market, the alternate brand shall be used only after prior written approval of the bank.
31. The contactor shall be given a single electrical connection at work site. Electrical charges for consumption by the contactor will be charged separately by the bank, contractors have to provide sub-meter.
32. The successful tenderer shall not anticipate any financial help from the bank in the form of adhoc payment / advance for mobilizing and for starting the work.
33. The contractor should strictly adhere to the specifications and make of the materials, mentioned in the annexure. Any deviation will summarily reject the items of the work and not qualify for payment.
34. The successful tenderer shall be ready to carry out works between non banking hours and even at nights and holidays.
35. The contractor should sign all the pages of the document and the same shall be submitted to us.
36. Acceptance of bids from the empanelled electrical works contractors is solely at the discretion of Bank
37. Acceptance of contractor for Labor laws
 - I. The successful tenderer / Contractor shall carefully and diligently implement the provisions of the Contract Labor Act & Contract Labor Rules.
 - II. The Bank shall be entitled to deduct from the Contract Consideration, any such amount which the Bank has to pay in accordance with the Contract Labor (Regulation & Abolition) Act 1971 and Workmen's Compensation Act, in the event of the Bank having to disburse compensation / effect any payment under the Contract Labor Acts / Rules.
 - III. Please note that as per rule 81(1) of Contract Labor (R&A) Rules, 1971, it is mandatory on the part of the Contractor to the display the notice containing the following details at prominent place at the work site.
 - (a) Rates of wages. (b) Hours of work. (c) Wage periods. (d) Dates of payment of wages. (e) Names & addresses of the Labor Inspectors having jurisdiction & (f) Date of payment of unpaid wages.

ಸಿಂಡಿಕೇಟ್ ಸಿಂಡಿಕೇಟ್ Syndicate

NIT Ref. **COHUB: P&E:DPJ:11263: 2024-25 dated 18.06.2024**

- IV. The Contractor shall not engage any workmen for wages, less than the minimum wages prescribed under the notification issued by the Central Government.
- V. The contractor should follow all labor laws/guidelines laid down by central /state government from time to time.

37. Preventive and Breakdown Maintenance during Warranty Period:

- i. All the Air-conditioners covered in this contract have to be maintained as per the standards of the original manufacturing company during the warranty period.
- ii. The warranty would be on-site and comprehensive in nature and back to back support from the OEM. The vendor will warrant all the spares against defects arising out of faulty design, materials and workmanship etc. during the period of warranty.

CERTIFICATE

I / WE HAVE READ, FULLY UNDERSTOOD THE ABOVE MENTIONED REGULATIONS OF LABOUR LAWS/GUIDELINES AND ACCEPT THE SAME IN TOTO. I ALSO UNDERTAKE TO FOLLOW ALL LABOUR LAWS/GUIDELINES LAID DOWN BY CENTRAL /STATE GOVERNMENT FROM TIME TO TIME & INDEMNIFY THE BANK AUTHORITIES.

ANNEXURE I (TO BE MANDATORILY FURNISHED)

1.	Name of the Contractor under the Contract Labor (Regulation and Abolition) Act, 1970 (37 of 1970) (if applicable)	
2.	LIN / PAN No	
3.	Email Id	
4.	Mobile No.	
5.	No. & date of Certificate of Registration/ License*	
6.	Name of Person in charge of work	
7.	LIN / PAN No. of the person in charge of work	
8.	Email Id of the person in charge of work	
9.	Mobile No. of the person in charge of work	
10.	The Nature of work involved & the facilities, including any plant & machinery provided in the case of a building or other construction work	

* Please strike off whichever is not applicable

Signature of Bidder with seal

Page 6 of 8

Premises & Estate Section,
Circle Office Hubballi
Centrum Building,

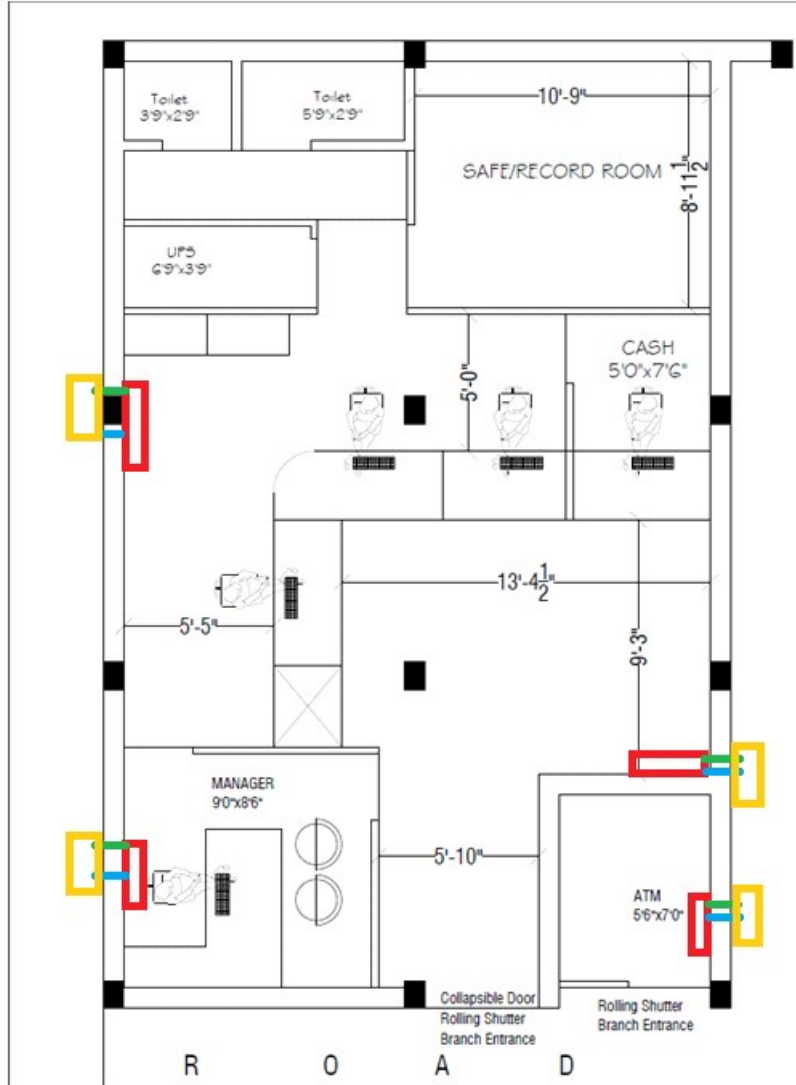
T: 08362-2239432/433 /434

Gokul Road, Hubballi-580030

E:pecohub@canarabank.com

ಸಿಂಡಿಕೇಟ್ ಸಿಂಡಿಕೇಟ್ Syndicate

NIT Ref. COHUB: P&E:DPJ:11263: 2024-25 dated 18.06.2024



Signature of Bidder with seal

Page 7 of 8

Premises & Estate Section,
Circle Office Hubballi
Centrum Building,
Gokul Road, Hubballi-580030

T: 08362-2239432/433 /434

E:pecohub@canarabank.com

ಸಿಂಡಿಕೇಟ್ ಸಿಂಡಿಕೇಟ್ Syndicate

NIT Ref. COHUB: P&E:DPJ:11263: 2024-25 dated 18.06.2024

Sl.NO	Description	Unit	Qty	Rate	Amount
1	Supply of following high wall mounted SPLIT INVERTER AC unit along with 3 Mtrs. Refrigerant piping & cabling, irrespective of the number of circuits & stand for the condensing unit (Suction line to be insulated with elastomeric nitrile rubber tubular insulation of 9mm thickness adhesive & joints sealed with black monsoon tape) including stabilizer & installation charges . (Make: - Voltas / Blue Star / Carrier / Hitachi) (Energy Rating : Minimum Three Star Rating)				
a	1.0 TR SPLIT UNIT	Nos	2.00		
c	1.5 TR SPLIT UNIT	Nos	2.00		
2	Installation, Testing & Commissioning of following high wall mounted SPLIT INVERTER AC unit along with 3 Mtrs. Refrigerant piping & cabling, irrespective of the number of circuits & stand for the condensing unit (Suction line to be insulated with elastomeric nitrile rubber tubular insulation of 9mm thickness adhesive & joints sealed with black monsoon tape) including stabilizer & installation charges with 5 star type. Inclusive of Charges for Core cutting and closing the same with sealant. (Make: - Voltas / Blue Star / Carrier / Daikin)				
a	1.0 TR SPLIT UNIT	Nos	2.00		
c	1.5 TR SPLIT UNIT	Nos	2.00		
3	SITC of digital voltage stabilizer of suitable capacity for Air-Conditioners	Nos	4.00		
4	SITC of 12.5 Sqmm and 6.25 Sqmm dia copper refrigerant pipe with with Foam insulation between indoor and outdoor units, with breaking of wall wherever required for Split Air Conditioners	Rmt	5.00		
5	SITC of 19/25 mm PVC conduit pipe to be used as a drain water pipe. Through holes as made above	Rmt	5.00		
6	Supply and Laying of electric control FRLS cable of 2.5 Sqmm	Rmt	10.00		
7	SITC of L shape / suitable shape M S frame stand for mounting outdoor units on wall / roof, complete with all fixing hardware.	Nos	4.00		
8	SITC of wall mounted Digital Cyclic Timer with 30A rating, time setting from 1hour to 12 hours, suitable for two A/c's with LCD display. Make: RMG automation, Dynamic Micro Tech (2 Hours on 2 Hours Off)	Nos	1.00		
	Total Ex GST				

Signature of Bidder with seal

Page 8 of 8

Premises & Estate Section,
Circle Office Hubballi
Centrum Building,

T: 08362-2239432/433 /434

Gokul Road, Hubballi-580030

E:pecohub@canarabank.com