

	LED 2x2 LIGHT
	18W LED DOWN LIGHT
	9W LED DOWN LIGHT
	WALL FAN
	LED SINGLETUBE
	EXHAUST FAN
	CEILING FAN
	ANGLE HOLDER WITH BULB

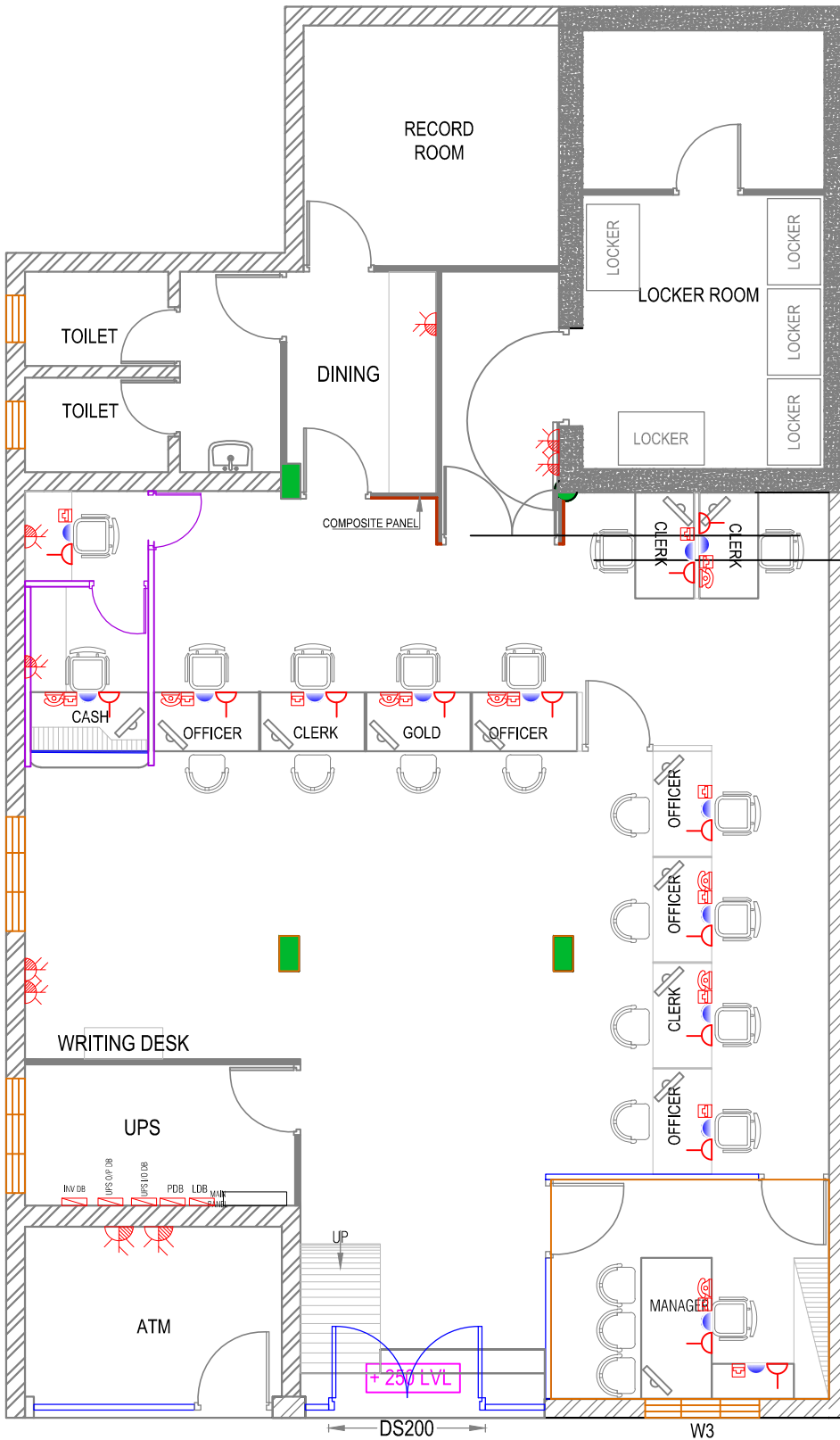
ENARC CONSULTANTS
ARCHITECTS AND ENGINEERS
 M. G. Road, Thrissur - 1.
 Tel. : +91 (487) 2441901
 E-mail : office@enarc.net.in

PROPOSED INTERIOR FURNISHING
FOR BANKS CANARA BANK
PATHANAMTHITTA BRANCH
ELECTRICAL LIGHTING LAYOUT

Drawn By SHANAVAS
 Architect
 Ar.PRAVEEN.P
 B. Arch.[Reg], A.I.I.A, A.I.I.I.D

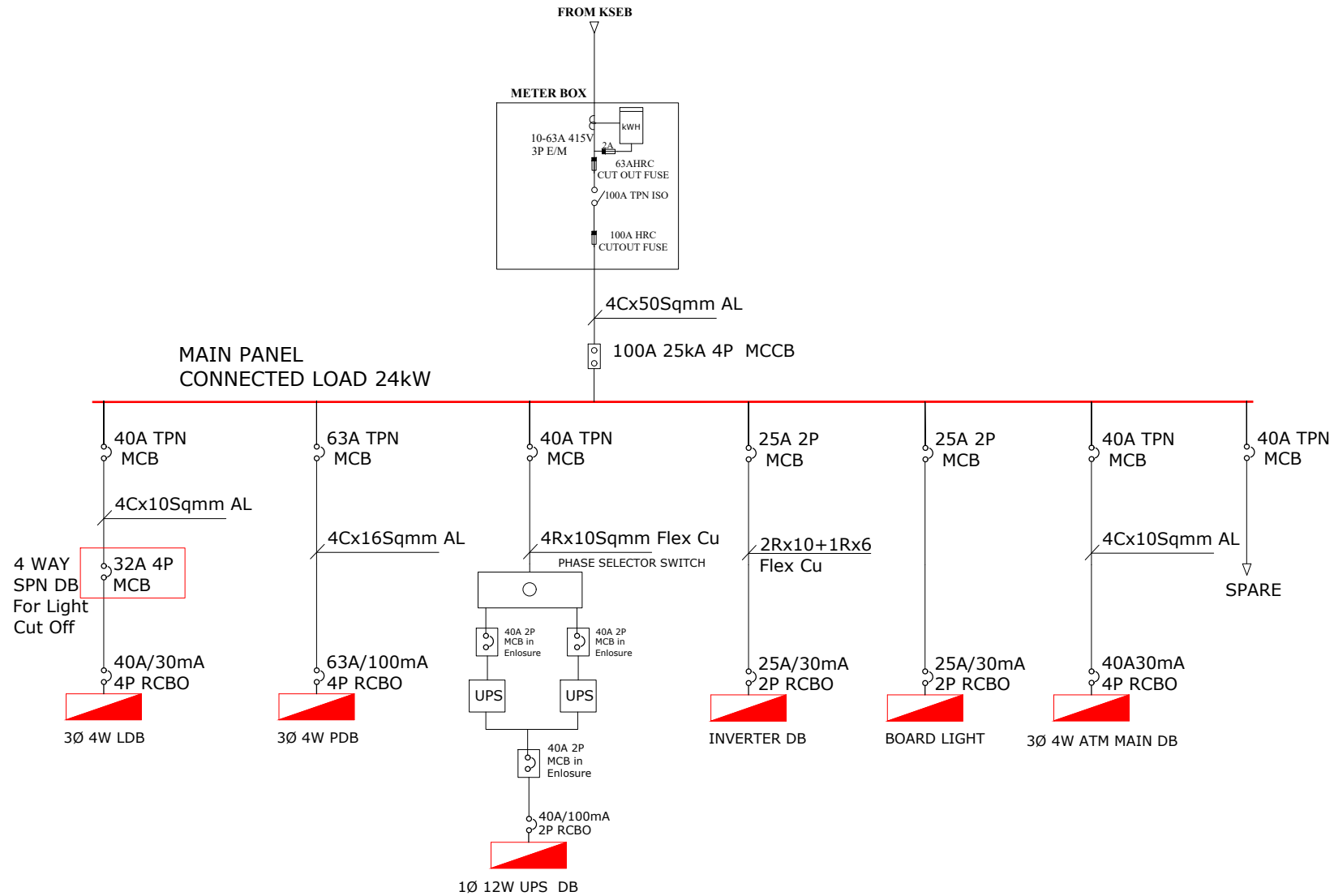
Chief Architect
 Ar. K. RAMAKRISHNAN
 B.Sc.(Engg), F.I.E, C, Eng (I),
 F.I.V, F.I.I.A. (Regd), A.I.I.I.D

Date : 17-11-2023
 Revision Date:
 Sheet No : 01
 Scale : N T S
 All Dimensions are in CMs.



	6A SWITCH
	6A SOCKET WITH SWITCH
	16A SOCKET WITH SWITCH
	COMPUTER POINT
	DATA POINT
	TELEPHONE POINT

NOTE- NETWORK RACK POWER PLUG SHALL FIXED AT SUITABLE LOCATION

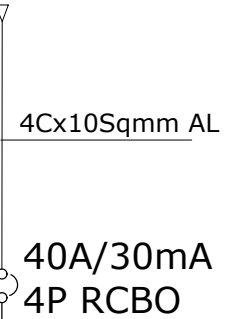


**CANARA BANK
PATHANAMTHITTA
ELECTRICAL SCHEME**

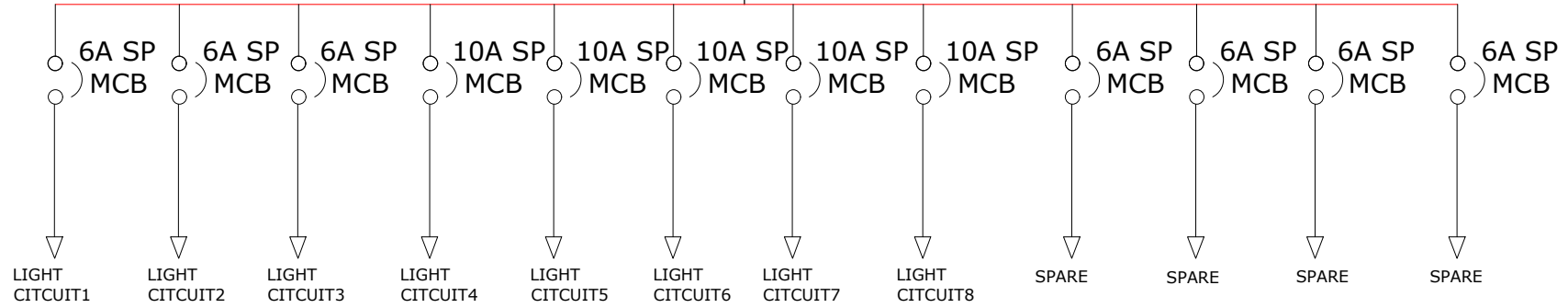
METER BOARD TO MAIN PANEL

Drawn by	SHANAVAS
Architect	Ar.PRAVEEN.P B. Arch.[Reg], A.I.I.A, A.I.I.I.D
Chief Architect	Ar. K. RAMAKRISHNAN B.Sc.(Engg), F.I.E, C. Eng (I), F.I.V, F.I.I.A. (Regd), A.I.I.I.D
Date	: 17 - 11 - 2023
Scale	: NTS
Sheet No	: 01
Note: All Dimensions are in CMs.	

FROM MAIN PANEL



3Ø 4W LDB

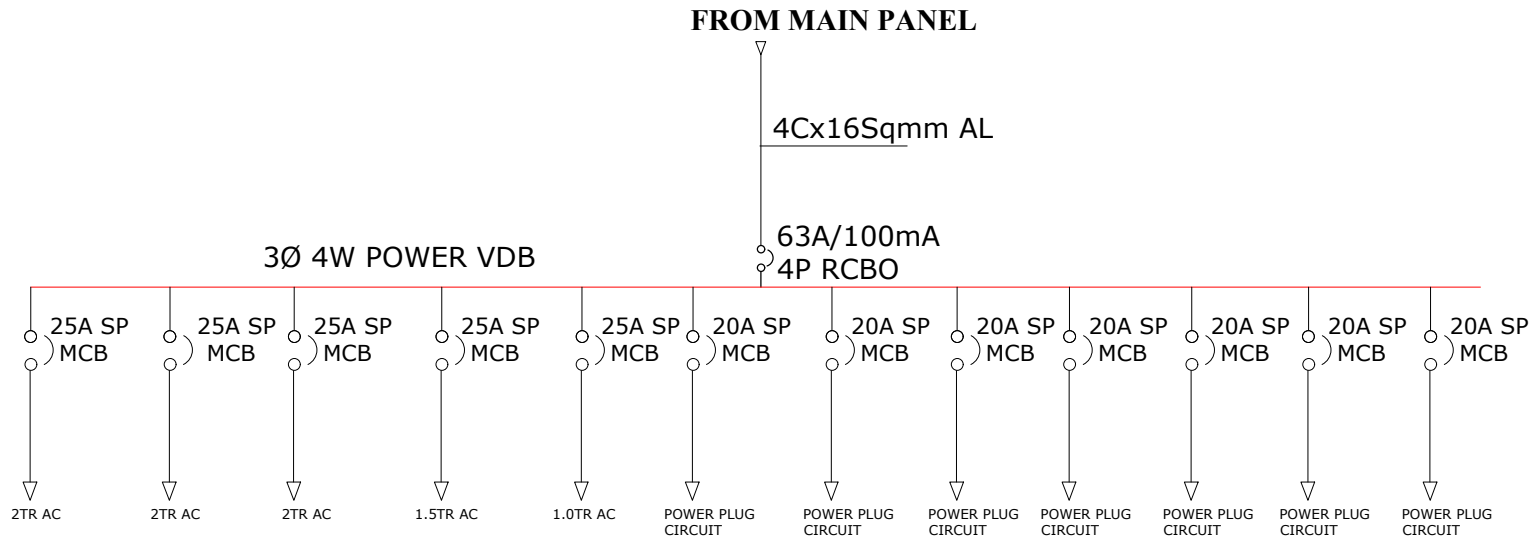


**CANARA BANK
PATHANAMTHITTA
ELECTRICAL SCHEME**

MSB TO LIGHTING DB

Drawn by	SHANAVAS
Architect	Ar.PRAVEEN.P B. Arch.[Reg], A.I.I.A, A.I.I.D
Chief Architect	Ar. K. RAMAKRISHNAN B.Sc.(Engg), F.I.E, C. Eng (I), F.I.V, F.I.I.A. (Regd), A.I.I.D

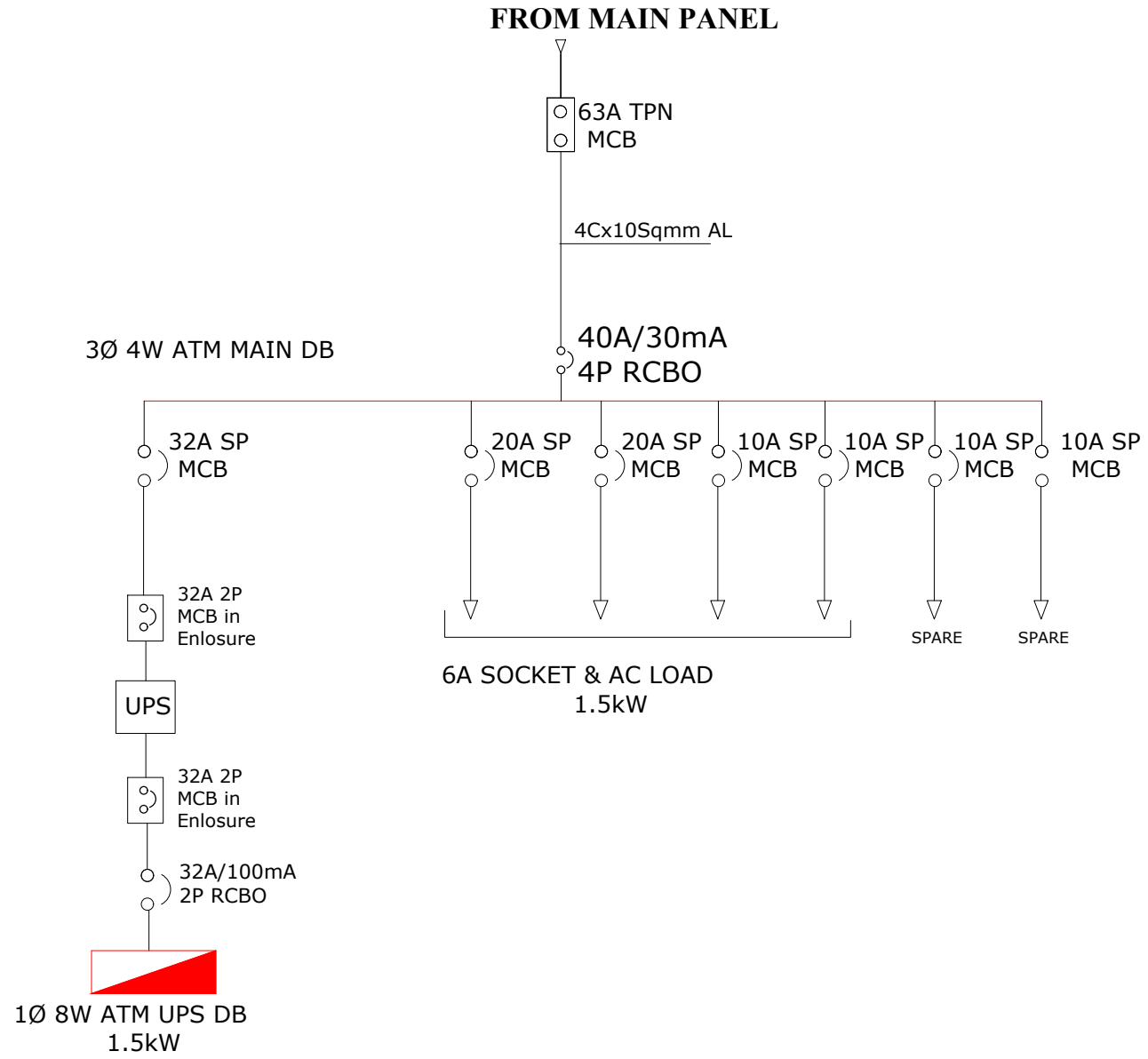
Date	: 17 - 11 - 2023
Scale	: NTS
Sheet No	: 02
Note: All Dimensions are in CMs.	



**CANARA BANK
PATHANAMTHITTA
ELECTRICAL SCHEME**

**MSB TO POWER DISTRIBUTION
BOARD**

Drawn by	SHANAVAS
Architect	Ar.PRAVEEN.P B. Arch.[Reg], A.I.I.A, A.I.I.D
Chief Architect	Ar. K. RAMAKRISHNAN B.Sc.(Engg), F.I.E, C. Eng (I), F.I.V, F.I.I.A. (Regd), A.I.I.D
Date	: 17 - 11 - 2023
Scale	: NTS
Sheet No	: 03
Note: All Dimensions are in CMs.	



**CANARA BANK
PATHANAMTHITTA
ELECTRICAL SCHEME**

MAIN PANEL TO ATM MAIN PANEL

Drawn by	SHANAVAS
Architect	Ar.PRAVEEN.P B. Arch.[Reg], A.I.I.A, A.I.I.I.D
Chief Architect	Ar. K. RAMAKRISHNAN B.Sc.(Engg), F.I.E, C. Eng (I), F.I.V, F.I.I.A. (Regd), A.I.I.I.D
Date	: 17 - 11 - 2023
Scale	: NTS
Sheet No	: 04
Note: All Dimensions are in CMs.	